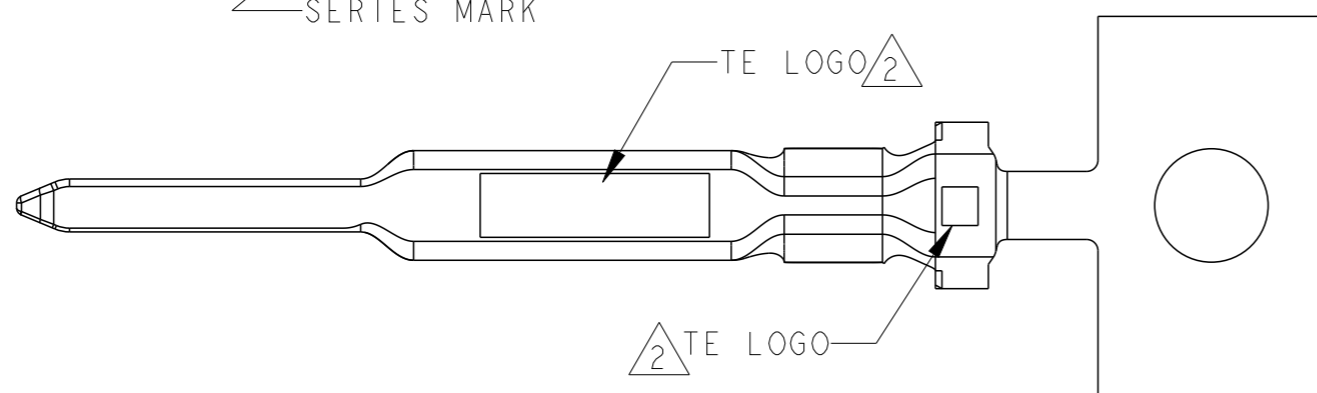
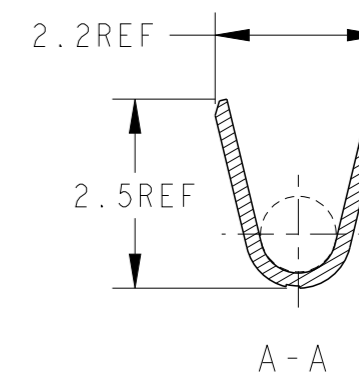
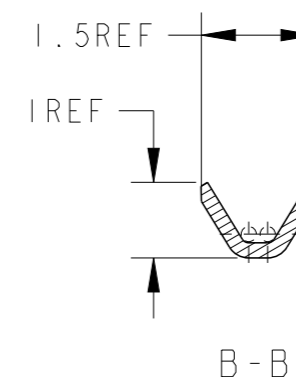
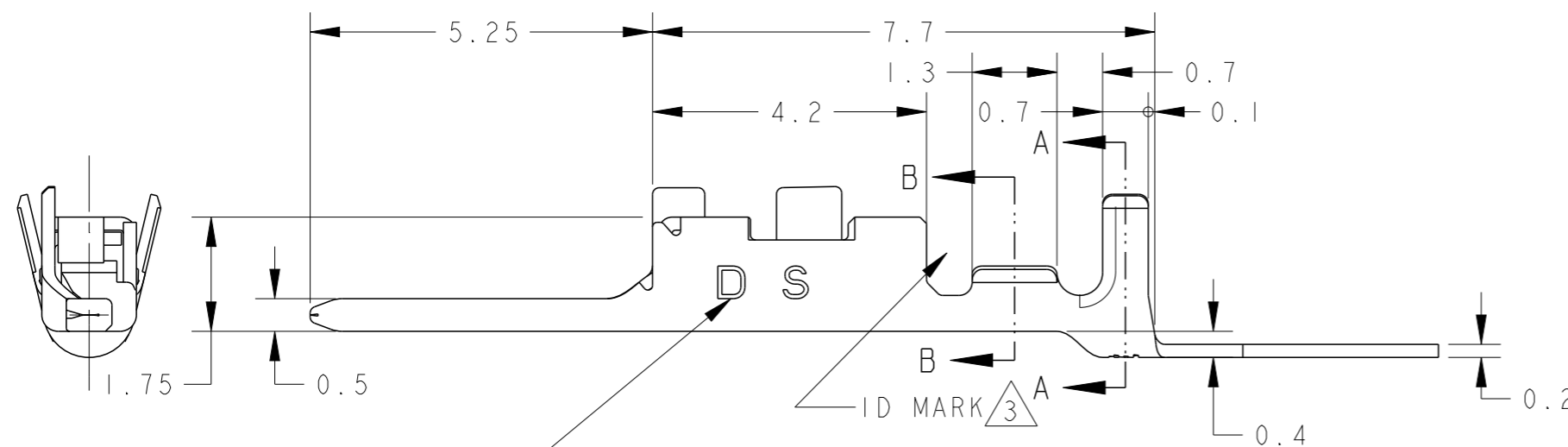
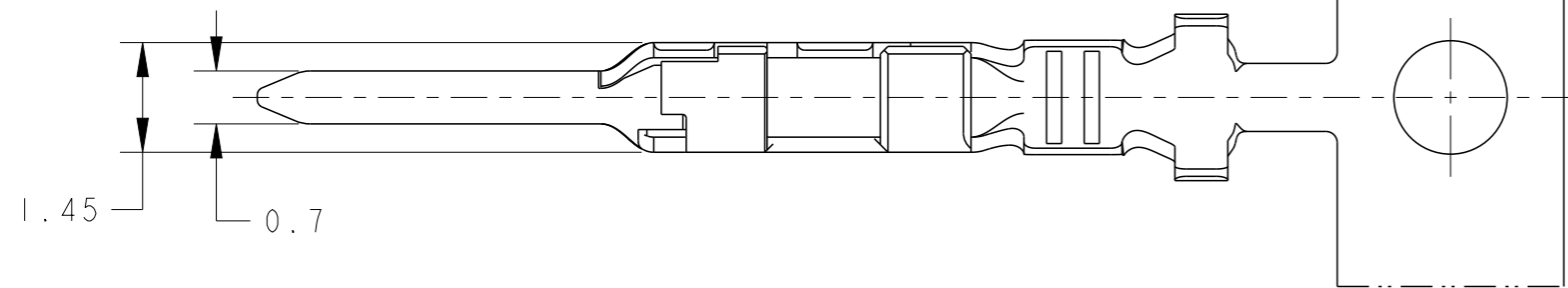


P	LTR	DESCRIPTION	DATE	DWN	APVD
C		REVISED PER ECR-19-016494	23OCT2019	F.Z	R.B
D		REVISED PER ECR-22-142637	16JUN2022	RI	TS

AS SHOWN: 1903111-2



D S 4	MATERIAL: COPPER ALLOY FINISH: CONTACT AREA Au 0.2umMIN, OVER Ni 1.27umMIN	1903111-4
D S	MATERIAL: COPPER ALLOY FINISH: CONTACT AREA Au 0.38umMIN, OVER Ni 1.27umMIN	1903111-2
SERIES MARK	MATERIAL	PART NO

WIRE RANGE AWG#30-#28 INSULATION DIA  
mm<sup>2</sup> 0.05~0.09  $\phi$ 0.6~ $\phi$ 1.2

THIS DRAWING IS A CONTROLLED DOCUMENT.

DWN M. MAEBASHI 11APR2006  
CHK T. KUDO 11APR2006  
APVD D. MITSUGI 11APR2006

NAME DYNAMIC D1000 SERIES  
TAB CONTACT Au S-TYPE REEL

SIZE CAGE CODE DRAWING NO RESTRICTED TO

PRODUCT SPEC 108-78268

APPLICATION SPEC 114-5377

WEIGHT 0.123 g

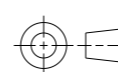
A300779 C-1903111

CUSTOMER DRAWING

SCALE 10:1 SHEET 1 OF 1 REV D

DIMENSIONS:  
mm

TOLERANCES UNLESS OTHERWISE SPECIFIED:  
 $\pm 0.3, \pm 3^\circ$



0 PLC	$\pm$
1 PLC	$\pm$
2 PLC	$\pm$
3 PLC	$\pm$
4 PLC	$\pm$
ANGLES	$\pm$

MATERIAL SEE TABLE

FINISH SEE TABLE

- THE SHAPE, SIZE AND POSITION OF THE CHARACTER SHOW THE OUTLINE. THEY DON'T SHOW DETAILS.
- ALTERNATIVE TE LOGO FOR DIFFERENT DIE.
- ALTERNATIVE ID MARK, WITH "■" OR NO MARK.