

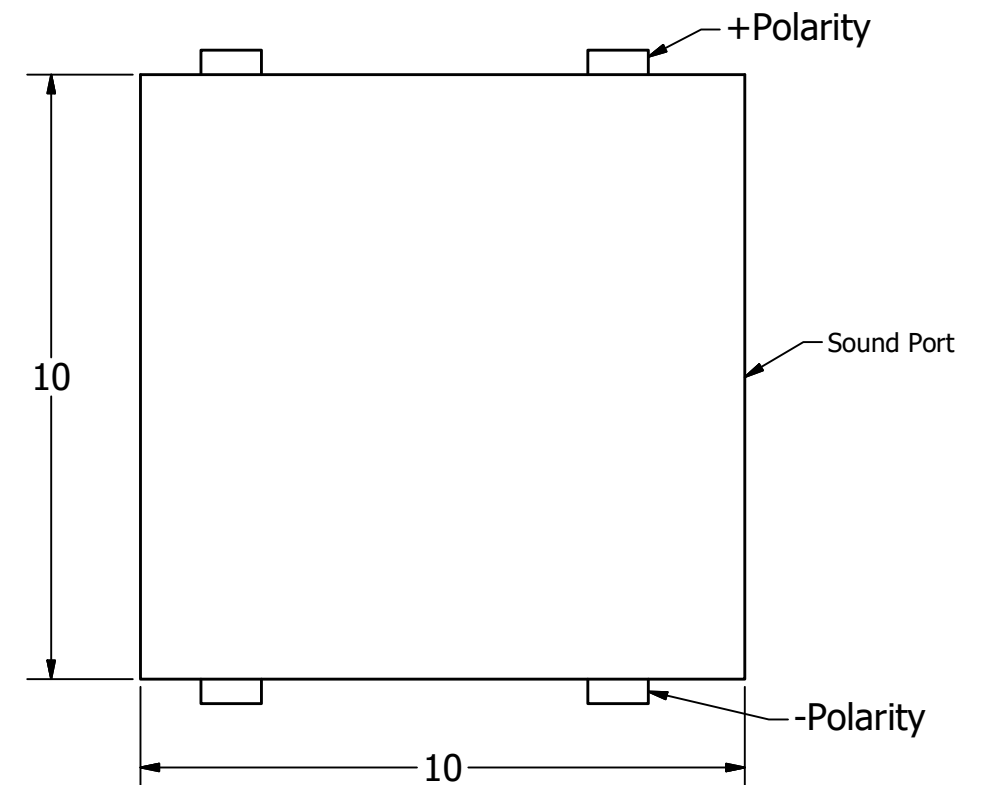
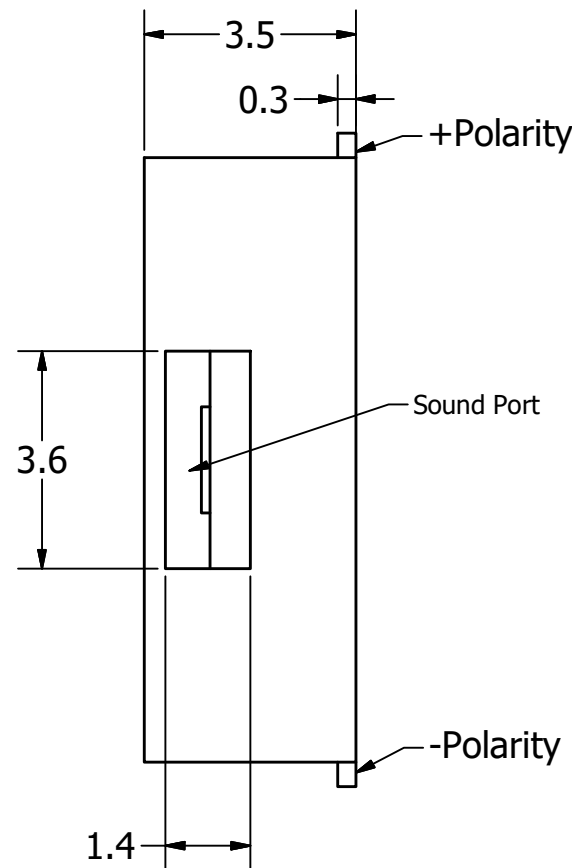
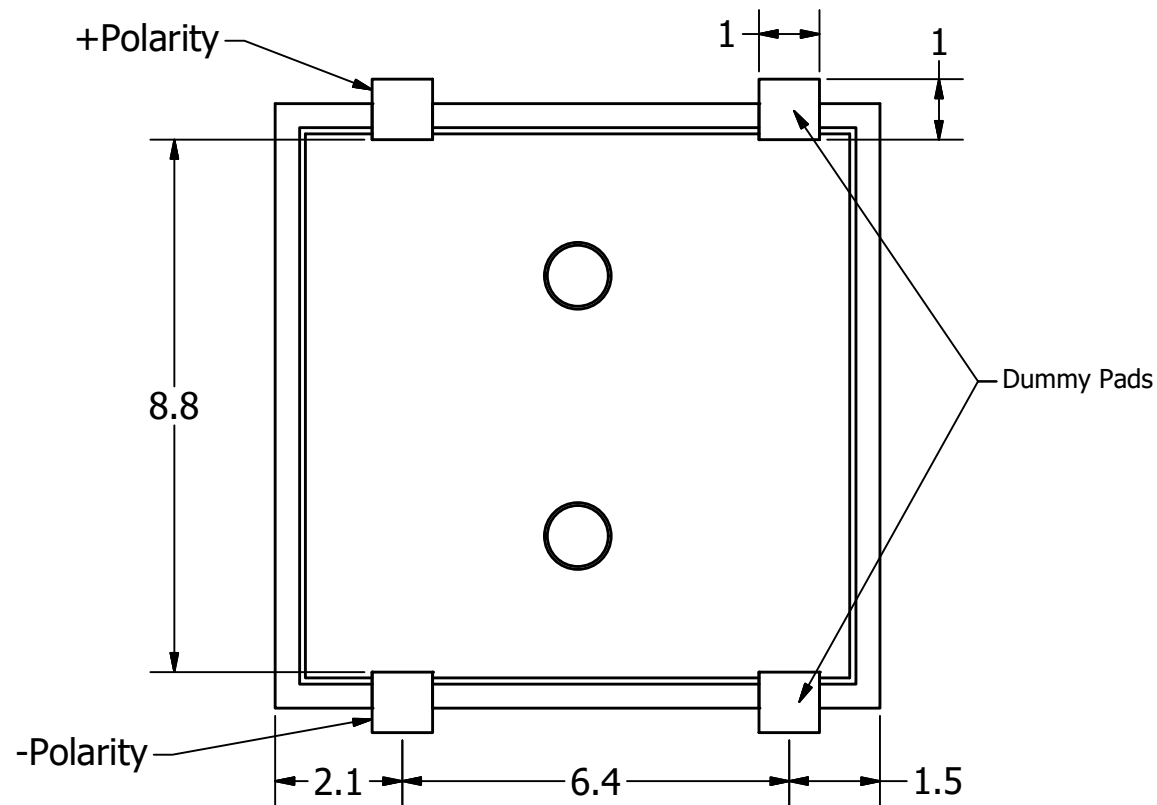
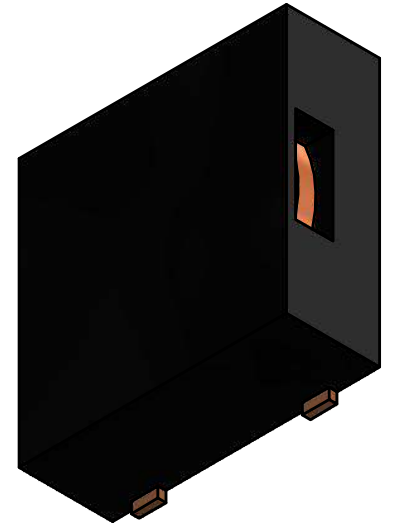
SPECIFICATIONS

| PARAMETERS | VALUES | UNIT |
|-------------------------|-------------------|-------|
| RATED VOLTAGE | 5 | Vpk |
| OPERATING VOLTAGE RANGE | 4 ~ 6 | Vpk |
| RATED CURRENT (MAX) | 70 | mA |
| COIL RESISTANCE | 32 ± 5 | OHM |
| MINIMUM SPL @ 10 CM | 93 | dB |
| RESONANT FREQUENCY | 2,830 ± 500 | Hz |
| OPERATING TEMPERATURE | -40 ~ +85 | °C |
| STORAGE TEMPERATURE | -40 ~ +85 | °C |
| HOUSING MATERIAL | LCP (BLACK) | - |
| TERMINAL MATERIAL | GOLD PLATED BRASS | - |
| WEIGHT | 0.8 | grams |

THIS DOCUMENT CONTAINS DATA PROPRIETARY TO PROJECTS UNLIMITED, INC. ANY USE OR REPRODUCTION, IN ANY FORM, WITHOUT PRIOR WRITTEN PERMISSION OF PROJECTS UNLIMITED, INC. IS PROHIBITED.
©2003, Projects Unlimited Inc.

REVISION HISTORY

| LTR | DESCRIPTION | DATE | APPROVED |
|-----|---------------------------------------|------------|----------|
| - | RELEASED FROM ENGINEERING | 05/11/2016 | |
| A | INCREASED OPERATING TEMPERATURE RANGE | 10/15/2018 | M.V. |



NOTES:

1. ALL DIMENSIONS ARE IN MILLIMETERS.
2. SPECIFICATIONS SUBJECT TO CHANGE OR WITHDRAWL WITHOUT NOTICE.
3. THIS PART IS RoHS 2011/65/EU COMPLIANT.

UNLESS OTHERWISE SPECIFIED:
ALL PURCHASES ARE SUBJECT TO AND INCORPORATE THE PUI AUDIO TERMS AND CONDITIONS SALE FOUND AT http://www.puiaudio.com/pdf/terms_conditions.pdf (paper copy available upon request).
DIMENSIONS ARE IN MILLIMETERS, TOLERANCES ARE ±0.5 AND ANGLES ARE ±3°.

SMT-1028-S-5V-2-R.idw

SIZE
A3

| Designed by | Date | Checked by | Date | Approved by | Date | Drawn Date |
|-------------|-----------|------------|-----------|-------------|-----------|------------|
| T.E.S. | 5/10/2016 | C.W. | 5/10/2016 | B.R. | 5/10/2016 | 5/10/2016 |



SMT-1028-S-5V-2-R

Transducer (Electro-Mech)

| | |
|---------|-------|
| Edition | Sheet |
| - | 1 / 1 |