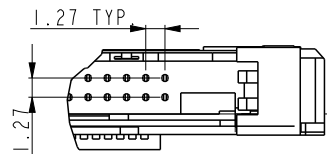
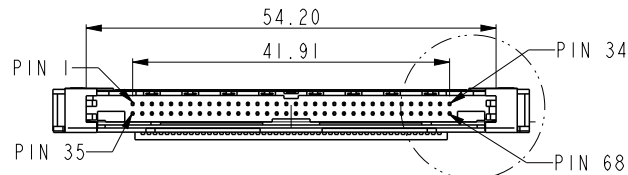
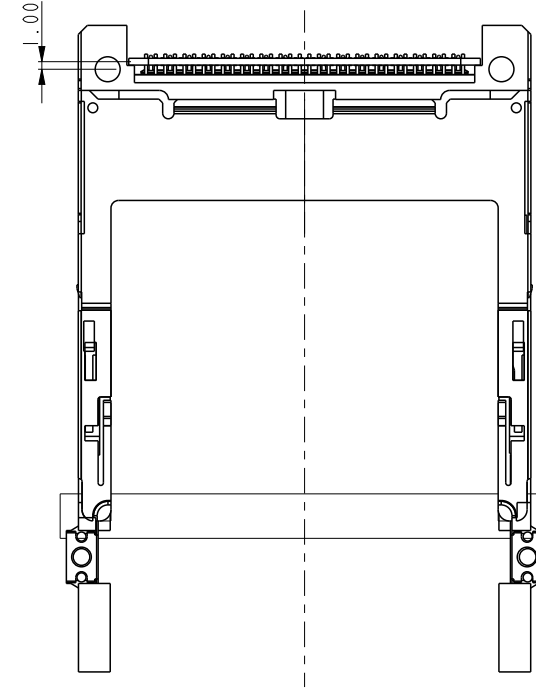
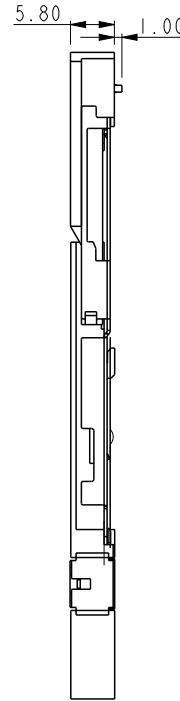
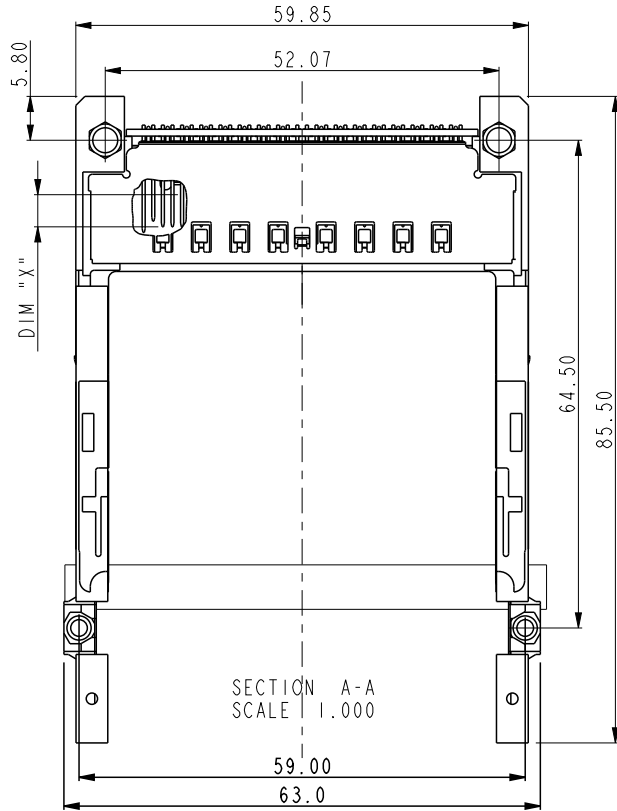


PRODUCT NUMBER
10116129-0001LF



dr	Su-Hua Miao	2010/11/15	projection 	MM ←→	size	A4	scale	1.000
eng	Su-Hua Miao	2012/05/16			ecn no	ELX-N-011498-1		
chr	-	-			rel level	Released		
appr	Rick Bian	2012/05/16	product family	-	rev	10116129		B
www.fci.com		cat. no.	-	Product - Customer Drw	sheet 1 of 2			

PRODUCT NUMBER	STAND OFF	HEADER ASS'Y	MECHANISM ASS'Y	MOUNTING STYLE TO PCB
10116129-0001LF	0.0	10116132-0200LF	72304-000	TOP

RECOMMEND P.C.B. LAYOUT

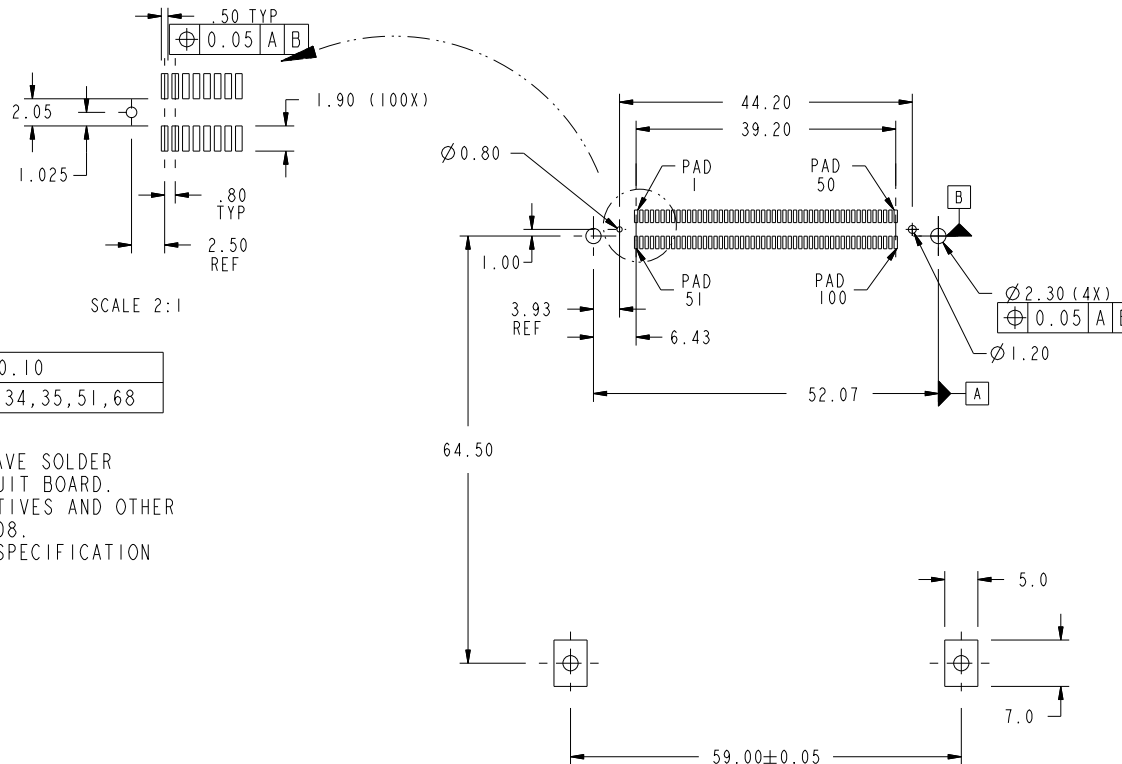
TOLERANCE: ±0.05

NOTE:

1. MATERIAL
1.1 HEADER ASS'Y
HOUSING: LCP UL94V-0 BLACK
TERMINAL: COPPER ALLOY
- 1.2 PCB: FR4
2. PLATING
UNDER PLATING: 1.27 um MIN. Ni
CONTACT AREA: 0.076 um MIN. Au
SOLDER TAIL: 2.5 um MIN. MATTE TIN
3. DIM "X"

LENGTH (mm)	4.25±0.10	3.5±0.10	5.0±0.10
PIN NUMBER	OTHERS	36,67	1,17,34,35,51,68

4. THE HOUSING WILL WITHSTAND EXPOSURE TO 260° PEAK TEMPERATURE FOR 10 SECONDS IN A WAVE SOLDER APPLICATION WITH A 1.00mm MINIMUM THICK CIRCUIT BOARD.
5. LEAD FREE PRODUCT MEETS EUROPEAN UNION DIRECTIVES AND OTHER COUNTRY REGULATIONS AS DISCRIBLED IN GS-22-008.
6. IF LEAD FREE P/N. PACKAGING MEETS GS-14-920 SPECIFICATION
7. MATED BOARD CONNECTOR P/N: 73277-101402LF.
8. PRODUCT SPEC: 110-263
9. PACKAGE SPEC: GS-14-341



Copyright FCI.

spec ref		dr Su-Hua Miao		2010/11/15		projection		MM		size A4		scale 1.000	
tolerance std		eng Su-Hua Miao		2012/05/16						ecn no ELX-N-011498-1		rel level	
TOLERANCES UNLESS OTHERWISE SPECIFIED		chr -		-								Released	
surface ✓		appr Rick Bian		2012/05/16		product family -		dwg no 10116129		rev B			
linear		0.X ±0.3				title CARDBUS SINGLE DECK						www.fci.com	
		0.XX ±0.15											
		0.XXX ±0.08											
angular		0° ±2°		cat. no.		-		Product - Customer Drw		sheet 2 of 2			