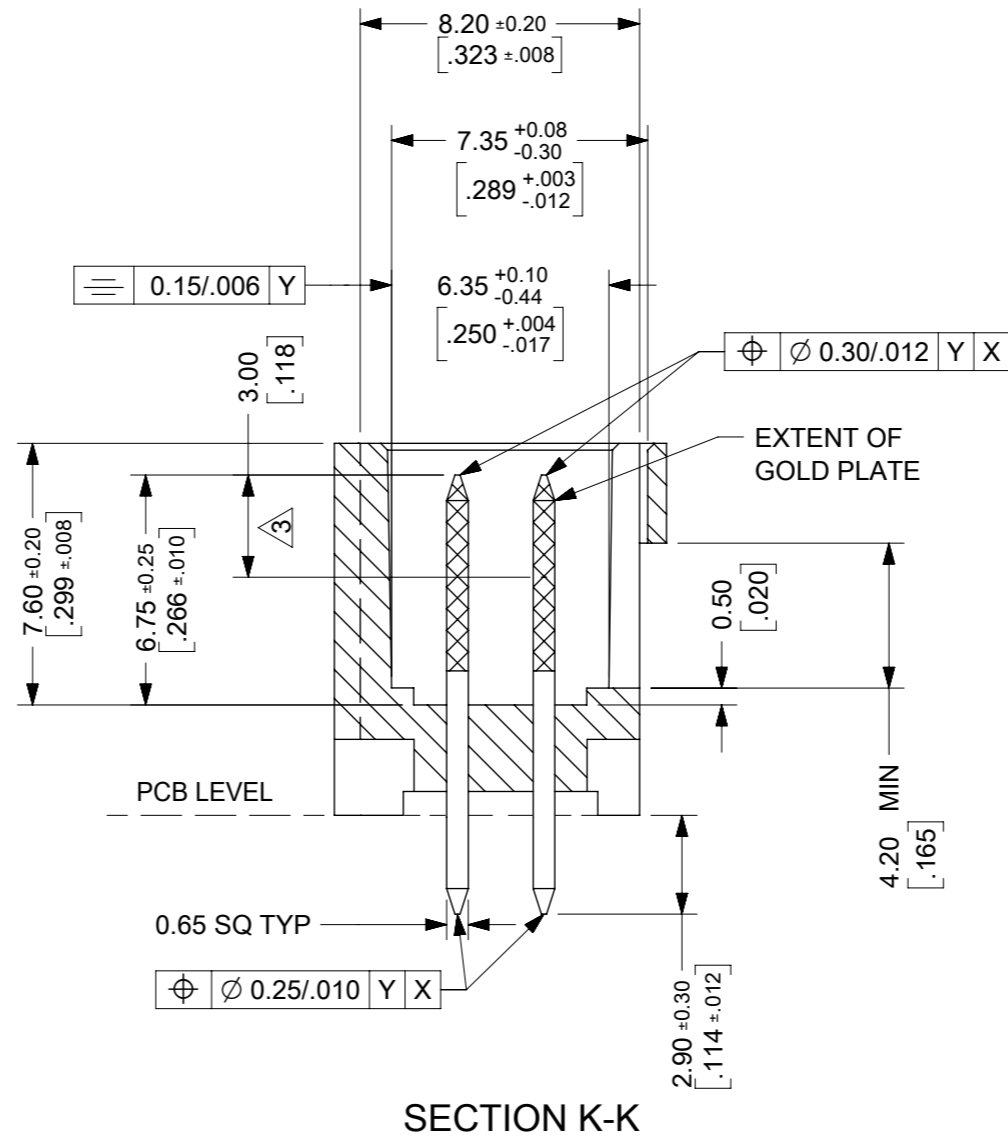




NOTES :

1. MATERIAL:-
  - PIN:- (0.65)/.0255 SQ. BRASS WIRE.
  - HOUSING:- 15% GLASS FILLED POLYESTER
  - UL 94 V-0 COLOUR BLACK
2. FOR PLATING VERSIONS AND VOID VERSIONS SEE SHEET 2.
3. MEASUREMENT POINT FOR MINIMUM PLATING THICKNESS.
4. FOR PRODUCT SPEC SEE PS-99020-0001
5. RECOMMENDED PCB THICKNESS: 1.60mm



| CKT | DIM A         | DIM B         | DIM C         |
|-----|---------------|---------------|---------------|
| 6   | (5.08)/.200   | (9.96)/.392   | (8.12)/.320   |
| 8   | (7.62)/.300   | (12.50)/.492  | (10.66)/.420  |
| 10  | (10.16)/.400  | (15.04)/.592  | (13.20)/.520  |
| 12  | (12.70)/.500  | (17.58)/.692  | (15.74)/.620  |
| 14  | (15.24)/.600  | (20.12)/.792  | (18.28)/.720  |
| 16  | (17.78)/.700  | (22.66)/.892  | (20.82)/.820  |
| 18  | (20.32)/.800  | (25.20)/.992  | (23.36)/.920  |
| 20  | (22.86)/.900  | (27.74)/1.092 | (25.90)/1.020 |
| 22  | (25.40)/1.000 | (30.28)/1.192 | (28.44)/1.120 |
| 24  | (27.94)/1.100 | (32.82)/1.292 | (30.98)/1.220 |
| 26  | (30.48)/1.200 | (35.36)/1.392 | (33.52)/1.320 |
| 28  | (33.02)/1.300 | (37.90)/1.492 | (36.06)/1.420 |
| 30  | (35.56)/1.400 | (40.44)/1.592 | (38.60)/1.520 |
| 32  | (38.10)/1.500 | (42.98)/1.692 | (41.15)/1.620 |
| 34  | (40.64)/1.600 | (45.52)/1.792 | (43.68)/1.720 |
| 36  | (43.18)/1.700 | (48.06)/1.892 | (46.22)/1.820 |
| 38  | (45.72)/1.800 | (50.60)/1.992 | (48.76)/1.920 |
| 40  | (48.26)/1.900 | (53.14)/2.092 | (51.30)/2.020 |
| 42  | (50.80)/2.000 | (55.68)/2.192 | (53.84)/2.120 |
| 44  | (53.34)/2.100 | (58.22)/2.292 | (56.38)/2.220 |
| 46  | (55.88)/2.200 | (60.76)/2.392 | (58.92)/2.320 |
| 48  | (58.42)/2.300 | (63.30)/2.492 | (61.46)/2.420 |
| 50  | (60.96)/2.400 | (65.84)/2.592 | (64.00)/2.520 |
| 52  | (63.50)/2.500 | (68.38)/2.692 | (66.54)/2.620 |
| 54  | (66.04)/2.600 | (70.92)/2.792 | (69.08)/2.720 |
| 56  | (68.58)/2.700 | (73.46)/2.892 | (71.62)/2.820 |
| 58  | (71.12)/2.800 | (76.00)/2.992 | (74.16)/2.920 |
| 60  | (73.66)/2.900 | (78.54)/3.092 | (76.70)/3.020 |
| 62  | (76.20)/3.000 | (81.08)/3.192 | (79.24)/3.120 |
| 64  | (78.74)/3.100 | (83.62)/3.292 | (81.78)/3.220 |
| 66  | (81.28)/3.200 | (86.16)/3.392 | (84.32)/3.320 |
| 68  | (83.82)/3.300 | (88.70)/3.492 | (86.86)/3.420 |

THIS DRAWING CONTAINS INFORMATION THAT IS PROPRIETARY TO MOLEX ELECTRONIC TECHNOLOGIES, LLC AND SHOULD NOT BE USED WITHOUT WRITTEN PERMISSION

|                                                      |                        |                                                                   |              |                 |                |
|------------------------------------------------------|------------------------|-------------------------------------------------------------------|--------------|-----------------|----------------|
| DIMENSION UNITS<br><b>MM/IN</b>                      | SCALE<br><b>NTS</b>    | CURRENT REV DESC: REMOVED OBSOLETE PART NUMBER AS PER PCN#512063. | <b>molex</b> |                 |                |
| GENERAL TOLERANCES (UNLESS SPECIFIED)                |                        | EC NO: 713759                                                     |              |                 |                |
| 4 PLACES ±                                           | ±                      | DRWN: SANTHN                                                      | 2022/09/13   |                 |                |
| 3 PLACES ±                                           | ± 0.004                | CHK'D: GB                                                         | 2022/10/07   |                 |                |
| 2 PLACES ±                                           | ± 0.1                  | APPR: GB                                                          | 2022/10/07   |                 |                |
| 1 PLACE ±                                            | ±                      | INITIAL REVISION:                                                 |              |                 |                |
| 0 PLACES ±                                           | ±                      | DRWN: KS                                                          | 1988/08/23   |                 |                |
| ANGULAR TOL ± 0.5°                                   |                        | APPR: MLONG                                                       | 2010/02/19   |                 |                |
| DRAFT WHERE APPLICABLE MUST REMAIN WITHIN DIMENSIONS | THIRD ANGLE PROJECTION | DRAWING                                                           | SERIES       | MATERIAL NUMBER | CUSTOMER       |
|                                                      |                        | A3-SIZE                                                           | 90130        | SEE TABLE       | GENERAL MARKET |
| DOCUMENT STATUS                                      |                        | RELEASE DATE                                                      | DOC TYPE     | DOC PART        | REVISION       |
| P1                                                   | 2022/10/07 06:42:03    | PSD                                                               | 001          | CA6             |                |
| DOCUMENT NUMBER                                      |                        | SHEET NUMBER                                                      |              |                 |                |
| SDA-90130                                            |                        | 1 OF 6                                                            |              |                 |                |

| VERSION FULLY LOADED |              |                |                |                |                |
|----------------------|--------------|----------------|----------------|----------------|----------------|
| NO OF CKTS           | HSG CKT SIZE | PART NUMBER    |                |                |                |
|                      |              | PLATING TYPE A | PLATING TYPE E | PLATING TYPE F | PLATING TYPE G |
| 6                    | 6            | 90130-X106     | 90130-X206     | 90130-X306     | 90130-X406     |
| 8                    | 8            | 90130-X108     | 90130-X208     | 90130-X308     | 90130-X408     |
| 10                   | 10           | 90130-X110     | 90130-X210     | 90130-X310     | 90130-X410     |
| 12                   | 12           | 90130-X112     | 90130-X212     | 90130-X312     | 90130-X412     |
| 14                   | 14           | 90130-X114     | 90130-X214     | 90130-X314     | 90130-X414     |
| 16                   | 16           | 90130-X116     | 90130-X216     | 90130-X316     | 90130-X416     |
| 18                   | 18           | 90130-X118     | 90130-X218     | 90130-X318     | 90130-X418     |
| 20                   | 20           | 90130-X120     | 90130-X220     | 90130-X320     | 90130-X420     |
| 22                   | 22           | 90130-X122     | 90130-X222     | 90130-X322     | 90130-X422     |
| 24                   | 24           | 90130-X124     | 90130-X224     | 90130-X324     | 90130-X424     |
| 26                   | 26           | 90130-X126     | 90130-X226     | 90130-X326     | 90130-X426     |
| 28                   | 28           | 90130-X128     | 90130-X228     | 90130-X328     | 90130-X428     |
| 30                   | 30           | 90130-X130     | 90130-X230     | 90130-X330     | 90130-X430     |
| 32                   | 32           | 90130-X132     | 90130-X232     | 90130-X332     | 90130-X432     |
| 34                   | 34           | 90130-X134     | 90130-X234     | 90130-X334     | 90130-X434     |
| 36                   | 36           | 90130-X136     | 90130-X236     | 90130-X336     | 90130-X436     |
| 38                   | 38           | 90130-X138     | 90130-X238     | 90130-X338     | 90130-X438     |
| 40                   | 40           | 90130-X140     | 90130-X240     | 90130-X340     | 90130-X440     |
| 42                   | 42           | 90130-X142     | 90130-X242     | 90130-X342     | 90130-X442     |
| 44                   | 44           | 90130-X144     | 90130-X244     | 90130-X344     | 90130-X444     |
| 46                   | 46           | 90130-X146     | 90130-X246     | 90130-X346     | 90130-X446     |
| 48                   | 48           | 90130-X148     | 90130-X248     | 90130-X348     | 90130-X448     |
| 50                   | 50           | 90130-X150     | 90130-X250     | 90130-X350     | 90130-X450     |
| 52                   | 52           | 90130-X152     | 90130-X252     | 90130-X352     | 90130-X452     |
| 54                   | 54           | -              | -              | -              | 90130-X454     |
| 56                   | 56           | 90130-X156     | -              | -              | 90130-X456     |
| 58                   | 58           | 90130-X158     | 90130-X258     | 90130-X358     | 90130-X458     |
| 60                   | 60           | -              | -              | -              | 90130-X460     |
| 62                   | 62           | 90130-X162     | 90130-X262     | 90130-X362     | 90130-X462     |
| 64                   | 64           | -              | -              | -              | 90130-X464     |
| 66                   | 66           | 90130-X166     | 90130-X266     | 90130-X366     | 90130-X466     |
| 68                   | 68           | 90130-X168     | 90130-X268     | 90130-X368     | 90130-X468     |

NOTES :

- FOR ASSEMBLY, SEE SHEET 1.
- REFER TO LEGEND FOR PLATING OPTIONS.

90130 - \* \* \* \*

PLATING TYPES

STYLE: - 1. STRAIGHT PIN VERSION  
8. VERSION WITH VOIDS

- TYPE A:  
3.0µm MIN. TIN OVER 1.27µm - 2.54µm NICKEL.
- TYPE E:  
0.38µm MIN. GOLD IN SELECTED AREA & 3.0µm MIN. TIN IN SELECTED AREA OVER 1.3µm MIN. NICKEL OVERALL.
- TYPE F:  
0.76µm MIN. GOLD IN SELECTED AREA. & 3.0µm MIN. TIN IN SELECTED AREA OVER 1.3µm MIN. NICKEL OVERALL.
- TYPE G:  
0.05 -0.10µm GOLD FLASH IN SELECTED AREA & 3.0µm MIN. TIN IN SELECTED AREA OVER 1.3µm MIN. NICKEL OVERALL.

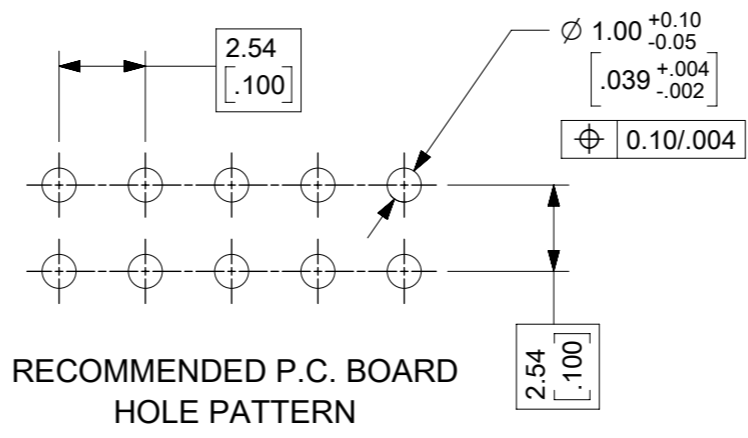
VOIDED OPTIONS

| NO OF CKTS | HSG CKT SIZE | VOIDED PART NUMBER | VOID POSITION | PLATING TYPE |
|------------|--------------|--------------------|---------------|--------------|
| 9          | 10           | 90130-8190         | 3             | A            |
| 9          | 10           | 90130-8309         | 2             | F            |
| 9          | 10           | 90130-8311         | 1             | F            |
| 11         | 12           | 90130-8212         | 12            | E            |
| 11         | 12           | 90130-8213         | 2             | E            |
| 11         | 12           | 90130-8313         | 2             | F            |
| 11         | 12           | 90130-8191         | 3             | A            |

|                                                                                                                                               |  |                     |  |                                                                   |  |                   |  |                 |  |                                                 |  |
|-----------------------------------------------------------------------------------------------------------------------------------------------|--|---------------------|--|-------------------------------------------------------------------|--|-------------------|--|-----------------|--|-------------------------------------------------|--|
| THIS DRAWING CONTAINS INFORMATION THAT IS PROPRIETARY TO MOLEX ELECTRONIC TECHNOLOGIES, LLC AND SHOULD NOT BE USED WITHOUT WRITTEN PERMISSION |  |                     |  |                                                                   |  |                   |  |                 |  |                                                 |  |
| DIMENSION UNITS<br><b>MM/IN</b>                                                                                                               |  | SCALE<br><b>NTS</b> |  | CURRENT REV DESC: REMOVED OBSOLETE PART NUMBER AS PER PCN#512063. |  |                   |  | <b>molex</b>    |  | C-GRID III<br>DUAL ROW STRAIGHT SHROUDED HEADER |  |
| GENERAL TOLERANCES (UNLESS SPECIFIED)                                                                                                         |  |                     |  |                                                                   |  |                   |  |                 |  |                                                 |  |
|                                                                                                                                               |  | MM                  |  | INCH                                                              |  | EC NO: 713759     |  | DOCUMENT NUMBER |  | DOC TYPE                                        |  |
| 4 PLACES ±                                                                                                                                    |  | ±                   |  | ±                                                                 |  | DRWN: SANTHN      |  | SDA-90130       |  | PSD                                             |  |
| 3 PLACES ±                                                                                                                                    |  | ±                   |  | ± 0.004                                                           |  | CHK'D: GB         |  | 001             |  | CA6                                             |  |
| 2 PLACES ±                                                                                                                                    |  | ±                   |  | ± 0.1                                                             |  | APPR: GB          |  | REVISION        |  |                                                 |  |
| 1 PLACE ±                                                                                                                                     |  | ±                   |  | ±                                                                 |  | INITIAL REVISION: |  | 1988/08/23      |  | 2010/02/19                                      |  |
| 0 PLACES ±                                                                                                                                    |  | ±                   |  | ±                                                                 |  | DRWN: KS          |  | SERIES          |  | 90130                                           |  |
| ANGULAR TOL ±                                                                                                                                 |  | ± 0.5°              |  | ±                                                                 |  | APPR: MLONG       |  | MATERIAL NUMBER |  | SEE TABLE                                       |  |
| DRAFT WHERE APPLICABLE MUST REMAIN WITHIN DIMENSIONS                                                                                          |  |                     |  | THIRD ANGLE PROJECTION                                            |  | DRAWING           |  | CUSTOMER        |  | SHEET NUMBER                                    |  |
|                                                                                                                                               |  |                     |  |                                                                   |  | A3-SIZE           |  | GENERAL MARKET  |  | 2 OF 6                                          |  |

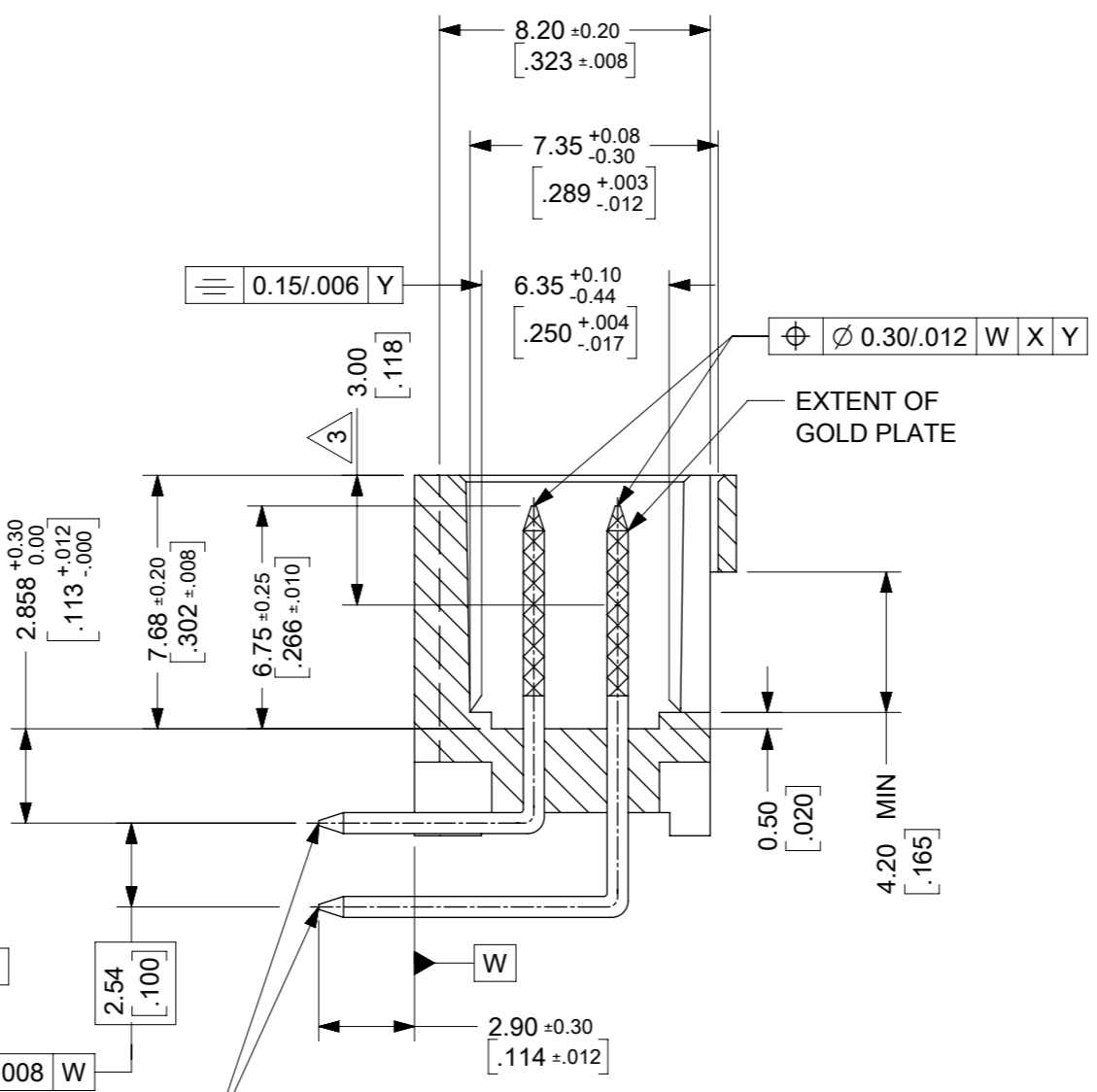
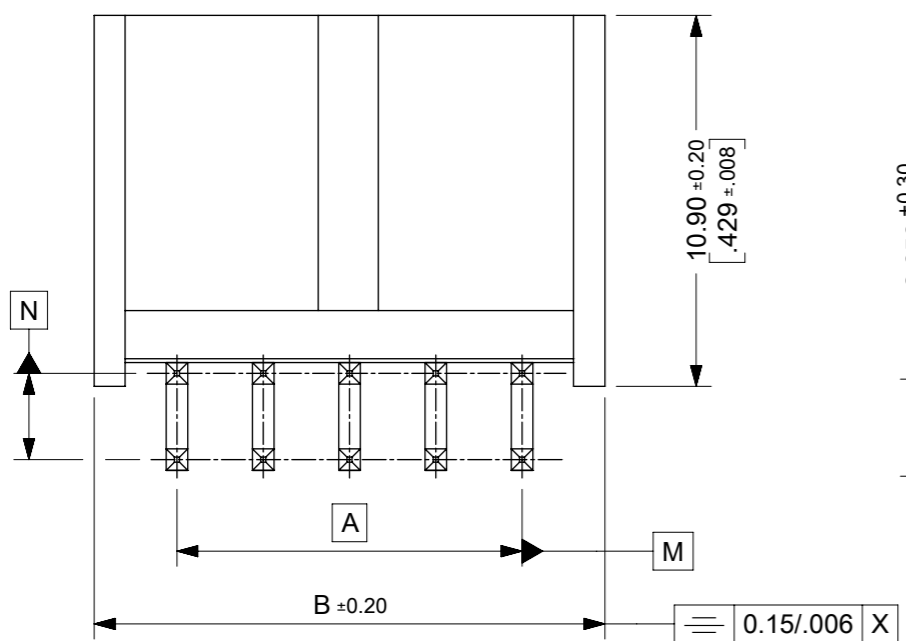


VERSION FULLY LOADED



RECOMMENDED P.C. BOARD HOLE PATTERN

| CKT | DIM A          | DIM B          | DIM C          |
|-----|----------------|----------------|----------------|
| 6   | (5.08)/ .200   | (9.96)/ .392   | (8.12)/ .320   |
| 8   | (7.62)/ .300   | (12.50)/ .492  | (10.66)/ .420  |
| 10  | (10.16)/ .400  | (15.04)/ .592  | (13.20)/ .520  |
| 12  | (12.70)/ .500  | (17.58)/ .692  | (15.74)/ .620  |
| 14  | (15.24)/ .600  | (20.12)/ .792  | (18.28)/ .720  |
| 16  | (17.78)/ .700  | (22.66)/ .892  | (20.82)/ .820  |
| 18  | (20.32)/ .800  | (25.20)/ .992  | (23.36)/ .920  |
| 20  | (22.86)/ .900  | (27.74)/ 1.092 | (25.90)/ 1.020 |
| 22  | (25.40)/ 1.000 | (30.28)/ 1.192 | (28.44)/ 1.120 |
| 24  | (27.94)/ 1.100 | (32.82)/ 1.292 | (30.98)/ 1.220 |
| 26  | (30.48)/ 1.200 | (35.36)/ 1.392 | (33.52)/ 1.320 |
| 28  | (33.02)/ 1.300 | (37.90)/ 1.492 | (36.06)/ 1.420 |
| 30  | (35.56)/ 1.400 | (40.44)/ 1.592 | (38.60)/ 1.520 |
| 32  | (38.10)/ 1.500 | (42.98)/ 1.692 | (41.15)/ 1.620 |
| 34  | (40.64)/ 1.600 | (45.52)/ 1.792 | (43.68)/ 1.720 |
| 36  | (43.18)/ 1.700 | (48.06)/ 1.892 | (46.22)/ 1.820 |
| 38  | (45.72)/ 1.800 | (50.60)/ 1.992 | (48.76)/ 1.920 |
| 40  | (48.26)/ 1.900 | (53.14)/ 2.092 | (51.30)/ 2.020 |
| 42  | (50.80)/ 2.000 | (55.68)/ 2.192 | (53.84)/ 2.120 |
| 44  | (53.34)/ 2.100 | (58.22)/ 2.292 | (56.38)/ 2.220 |
| 46  | (55.88)/ 2.200 | (60.76)/ 2.392 | (58.92)/ 2.320 |
| 48  | (58.42)/ 2.300 | (63.30)/ 2.492 | (61.46)/ 2.420 |
| 50  | (60.96)/ 2.400 | (65.84)/ 2.592 | (64.00)/ 2.520 |
| 52  | (63.50)/ 2.500 | (68.38)/ 2.692 | (66.54)/ 2.620 |
| 54  | (66.04)/ 2.600 | (70.92)/ 2.792 | (69.08)/ 2.720 |
| 56  | (68.58)/ 2.700 | (73.46)/ 2.892 | (71.62)/ 2.820 |
| 58  | (71.12)/ 2.800 | (76.00)/ 2.992 | (74.16)/ 2.920 |
| 60  | (73.66)/ 2.900 | (78.54)/ 3.092 | (76.70)/ 3.020 |
| 62  | (76.20)/ 3.000 | (81.08)/ 3.192 | (79.24)/ 3.120 |
| 64  | (78.74)/ 3.100 | (83.62)/ 3.292 | (81.78)/ 3.220 |
| 66  | (81.28)/ 3.200 | (86.16)/ 3.392 | (84.32)/ 3.320 |
| 68  | (83.82)/ 3.300 | (88.70)/ 3.492 | (86.86)/ 3.420 |



SECTION K-K

- NOTES :
- MATERIAL:-  
 - PIN:- (0.65)/.0255 SQ. BRASS WIRE.  
 - HOUSING:- 15% GLASS FILLED POLYESTER  
 - UL 94 V-0 COLOUR BLACK
  - FOR PLATING VERSIONS AND VOID VERSIONS SEE SHEET 2.
  - MEASUREMENT POINT FOR MINIMUM PLATING THICKNESS.
  - FOR PRODUCT SPEC SEE PS-99020-0001
  - RECOMMENDED PCB THICKNESS: 1.60mm

THIS DRAWING CONTAINS INFORMATION THAT IS PROPRIETARY TO MOLEX ELECTRONIC TECHNOLOGIES, LLC AND SHOULD NOT BE USED WITHOUT WRITTEN PERMISSION

|                                                      |                        |                                                                   |                          |                 |                |
|------------------------------------------------------|------------------------|-------------------------------------------------------------------|--------------------------|-----------------|----------------|
| DIMENSION UNITS<br><b>MM/IN</b>                      | SCALE<br><b>NTS</b>    | CURRENT REV DESC: REMOVED OBSOLETE PART NUMBER AS PER PCN#512063. |                          |                 |                |
| GENERAL TOLERANCES (UNLESS SPECIFIED)                |                        |                                                                   |                          |                 |                |
| 4 PLACES ±                                           | ±                      |                                                                   | PRODUCT CUSTOMER DRAWING |                 |                |
| 3 PLACES ±                                           | ± 0.004                |                                                                   | DOCUMENT NUMBER          |                 |                |
| 2 PLACES ±                                           | ± 0.1                  |                                                                   | SDA-90130                |                 |                |
| 1 PLACE ±                                            | ±                      |                                                                   | DOC TYPE                 |                 |                |
| 0 PLACES ±                                           | ±                      |                                                                   | PSD                      |                 |                |
| ANGULAR TOL ± 0.5°                                   |                        |                                                                   | DOC PART                 |                 |                |
|                                                      |                        |                                                                   | 001                      |                 |                |
| DRAFT WHERE APPLICABLE MUST REMAIN WITHIN DIMENSIONS | THIRD ANGLE PROJECTION | DRAWING                                                           | SERIES                   | MATERIAL NUMBER | CUSTOMER       |
|                                                      |                        | A3-SIZE                                                           | 90130                    | SEE TABLE       | GENERAL MARKET |
|                                                      |                        |                                                                   |                          |                 | SHEET NUMBER   |
|                                                      |                        |                                                                   |                          |                 | 3 OF 6         |

EC NO: 713759  
 DRWN: SANTHN 2022/09/13  
 CHK'D: GB 2022/10/07  
 APPR: GB 2022/10/07

INITIAL REVISION:  
 DRWN: KS 1988/08/23  
 APPR: MLONG 2010/02/19

| VERSION FULLY LOADED |              |                |                |                |                |
|----------------------|--------------|----------------|----------------|----------------|----------------|
| NO OF CKTS           | HSG CKT SIZE | PART NUMBER    |                |                |                |
|                      |              | PLATING TYPE A | PLATING TYPE E | PLATING TYPE F | PLATING TYPE G |
| 6                    | 6            | 90130-X106     | 90130-X206     | 90130-X306     | 90130-X406     |
| 8                    | 8            | 90130-X108     | 90130-X208     | 90130-X308     | 90130-X408     |
| 10                   | 10           | 90130-X110     | 90130-X210     | 90130-X310     | 90130-X410     |
| 12                   | 12           | 90130-X112     | 90130-X212     | 90130-X312     | 90130-X412     |
| 14                   | 14           | 90130-X114     | 90130-X214     | 90130-X314     | 90130-X414     |
| 16                   | 16           | 90130-X116     | 90130-X216     | 90130-X316     | 90130-X416     |
| 18                   | 18           | 90130-X118     | 90130-X218     | 90130-X318     | 90130-X418     |
| 20                   | 20           | 90130-X120     | 90130-X220     | 90130-X320     | 90130-X420     |
| 22                   | 22           | 90130-X122     | 90130-X222     | 90130-X322     | 90130-X422     |
| 24                   | 24           | 90130-X124     | 90130-X224     | 90130-X324     | 90130-X424     |
| 26                   | 26           | 90130-X126     | 90130-X226     | 90130-X326     | 90130-X426     |
| 28                   | 28           | 90130-X128     | 90130-X228     | 90130-X328     | 90130-X428     |
| 30                   | 30           | 90130-X130     | 90130-X230     | 90130-X330     | 90130-X430     |
| 32                   | 32           | 90130-X132     | 90130-X232     | 90130-X332     | 90130-X432     |
| 34                   | 34           | 90130-X134     | 90130-X234     | 90130-X334     | 90130-X434     |
| 36                   | 36           | 90130-X136     | 90130-X236     | 90130-X336     | 90130-X436     |
| 38                   | 38           | 90130-X138     | 90130-X238     | 90130-X338     | 90130-X438     |
| 40                   | 40           | 90130-X140     | 90130-X240     | 90130-X340     | 90130-X440     |
| 42                   | 42           | 90130-X142     | 90130-X242     | 90130-X342     | 90130-X442     |
| 44                   | 44           | 90130-X144     | 90130-X244     | 90130-X344     | 90130-X444     |
| 46                   | 46           | 90130-X146     | 90130-X246     | 90130-X346     | 90130-X446     |
| 48                   | 48           | 90130-X148     | 90130-X248     | 90130-X348     | 90130-X448     |
| 50                   | 50           | 90130-X150     | 90130-X250     | 90130-X350     | 90130-X450     |
| 52                   | 52           | 90130-X152     | 90130-X252     | 90130-X352     | 90130-X452     |
| 54                   | 54           | -              | 90130-X254     | 90130-X354     | 90130-X454     |
| 56                   | 56           | 90130-X156     | 90130-X256     | 90130-X356     | 90130-X456     |
| 58                   | 58           | 90130-X158     | 90130-X258     | 90130-X358     | 90130-X458     |
| 60                   | 60           | -              | -              | -              | 90130-X460     |
| 62                   | 62           | 90130-X162     | 90130-X262     | 90130-X362     | 90130-X462     |
| 64                   | 64           | -              | -              | -              | 90130-X464     |
| 66                   | 66           | 90130-X166     | 90130-X266     | 90130-X366     | 90130-X466     |
| 68                   | 68           | -              | -              | -              | 90130-X468     |

NOTES :

- 1. FOR ASSEMBLY, SEE SHEET 1.
- 2. REFER TO LEGEND FOR PLATING OPTIONS.

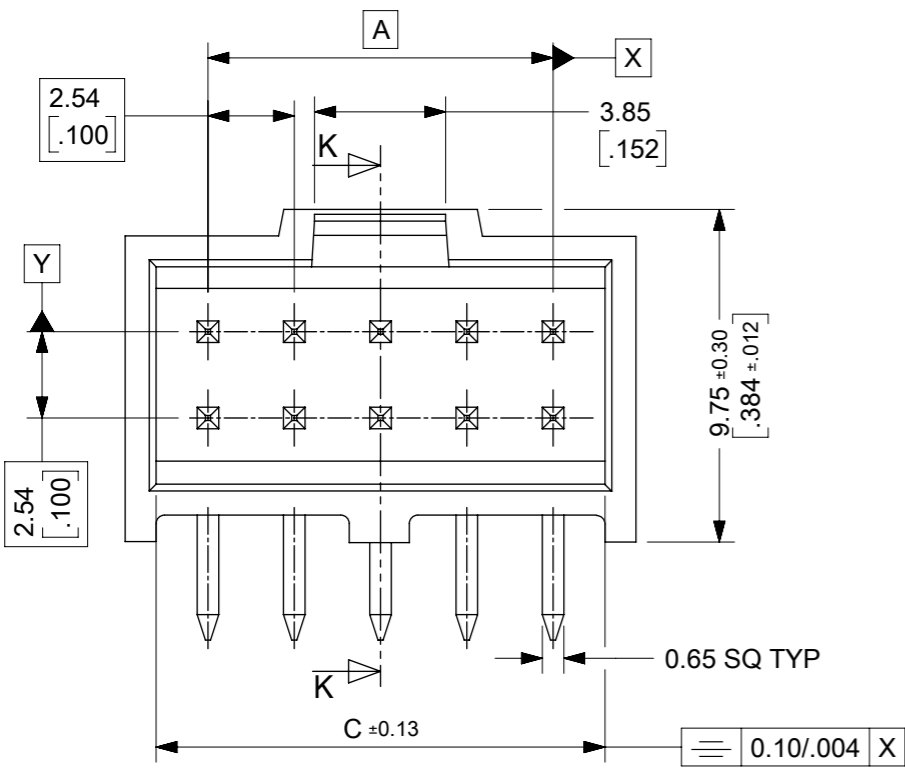


STYLE: - 3. RIGHT ANGLE VERSION

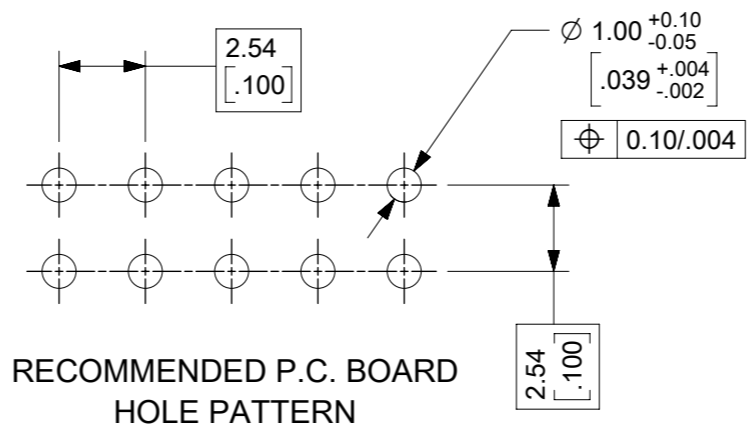
- 1 - TYPE A:  
3.0µm MIN. TIN OVER 1.27µm - 2.54µm NICKEL.
- 2 - TYPE E:  
0.38µm MIN. GOLD IN SELECTED AREA  
& 3.0µm MIN. TIN IN SELECTED AREA  
OVER 1.3µm MIN. NICKEL OVERALL.
- 3 - TYPE F:  
0.76µm MIN. GOLD IN SELECTED AREA.  
& 3.0µm MIN. TIN IN SELECTED AREA  
OVER 1.3µm MIN. NICKEL OVERALL.
- 4 - TYPE G:  
0.05 - 0.10µm GOLD FLASH IN SELECTED AREA  
& 3.0µm MIN. TIN IN SELECTED AREA  
OVER 1.3µm MIN. NICKEL OVERALL.

|                                                                                                                                               |  |        |  |                                                                   |  |         |  |        |  |                 |  |
|-----------------------------------------------------------------------------------------------------------------------------------------------|--|--------|--|-------------------------------------------------------------------|--|---------|--|--------|--|-----------------|--|
| THIS DRAWING CONTAINS INFORMATION THAT IS PROPRIETARY TO MOLEX ELECTRONIC TECHNOLOGIES, LLC AND SHOULD NOT BE USED WITHOUT WRITTEN PERMISSION |  |        |  |                                                                   |  |         |  |        |  |                 |  |
| DIMENSION UNITS                                                                                                                               |  | SCALE  |  | CURRENT REV DESC: REMOVED OBSOLETE PART NUMBER AS PER PCN#512063. |  |         |  |        |  | <b>molex</b>    |  |
| MM/IN                                                                                                                                         |  | NTS    |  |                                                                   |  |         |  |        |  |                 |  |
| GENERAL TOLERANCES (UNLESS SPECIFIED)                                                                                                         |  |        |  |                                                                   |  |         |  |        |  |                 |  |
|                                                                                                                                               |  | MM     |  | INCH                                                              |  |         |  |        |  |                 |  |
| 4 PLACES                                                                                                                                      |  | ±      |  | ±                                                                 |  |         |  |        |  |                 |  |
| 3 PLACES                                                                                                                                      |  | ±      |  | ± 0.004                                                           |  |         |  |        |  |                 |  |
| 2 PLACES                                                                                                                                      |  | ±      |  | ± 0.1                                                             |  |         |  |        |  |                 |  |
| 1 PLACE                                                                                                                                       |  | ±      |  | ±                                                                 |  |         |  |        |  |                 |  |
| 0 PLACES                                                                                                                                      |  | ±      |  | ±                                                                 |  |         |  |        |  |                 |  |
| ANGULAR TOL                                                                                                                                   |  | ± 0.5° |  |                                                                   |  |         |  |        |  |                 |  |
| DRAFT WHERE APPLICABLE MUST REMAIN WITHIN DIMENSIONS                                                                                          |  |        |  | THIRD ANGLE PROJECTION                                            |  | DRAWING |  | SERIES |  | MATERIAL NUMBER |  |
|                                                                                                                                               |  |        |  |                                                                   |  | A3-SIZE |  | 90130  |  | SEE TABLE       |  |
|                                                                                                                                               |  |        |  |                                                                   |  |         |  |        |  | CUSTOMER        |  |
|                                                                                                                                               |  |        |  |                                                                   |  |         |  |        |  | GENERAL MARKET  |  |
|                                                                                                                                               |  |        |  |                                                                   |  |         |  |        |  | SHEET NUMBER    |  |
|                                                                                                                                               |  |        |  |                                                                   |  |         |  |        |  | 4 OF 6          |  |

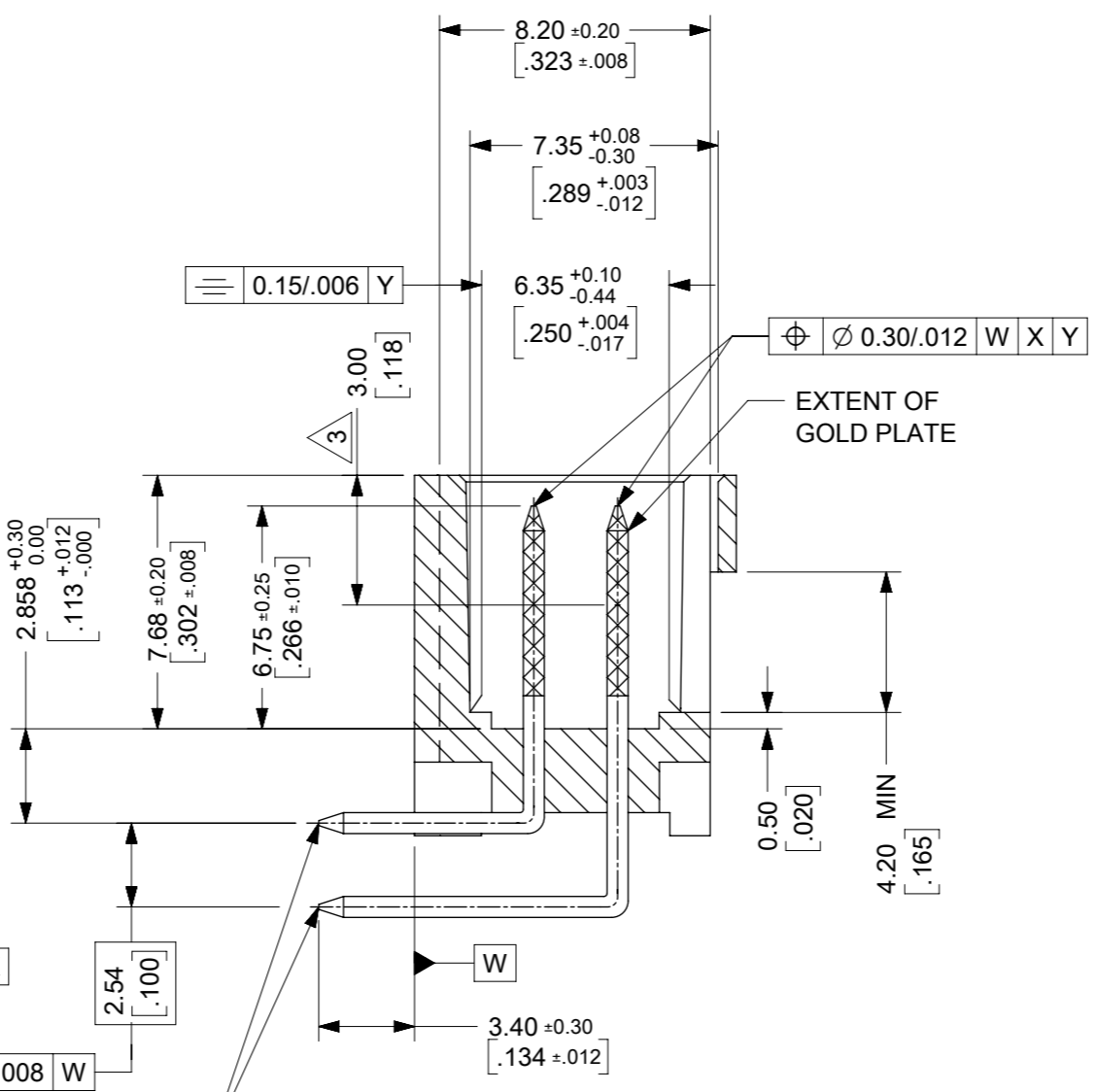
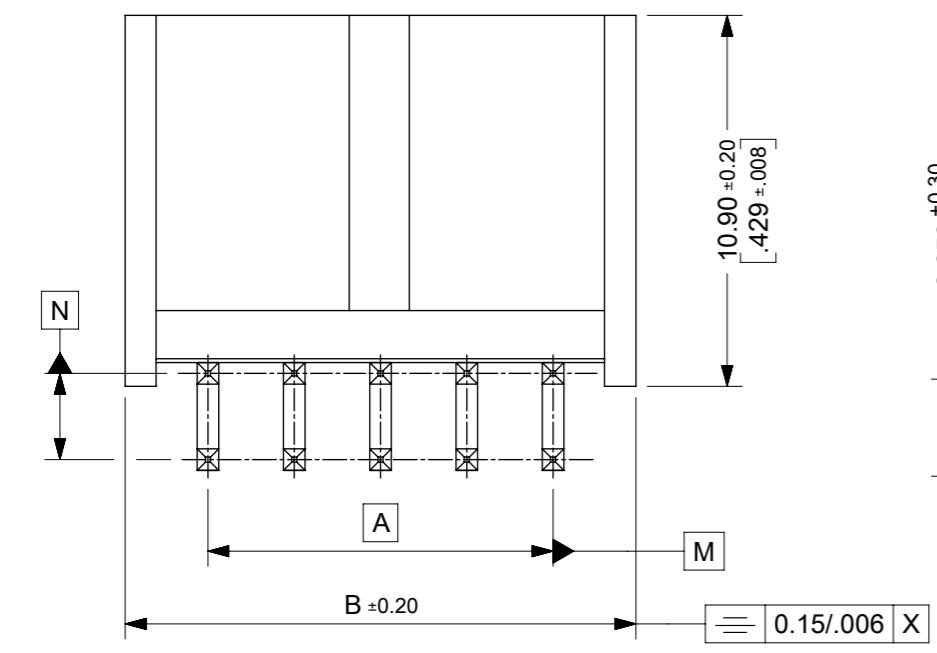
| CKT | DIM A          | DIM B          | DIM C          |
|-----|----------------|----------------|----------------|
| 30  | (35.56)/ 1.400 | (40.44)/ 1.592 | (38.60)/ 1.520 |



VERSION FULLY LOADED



RECOMMENDED P.C. BOARD HOLE PATTERN



SECTION K-K

- NOTES :
- MATERIAL:-
    - PIN:- (0.65)/.0255 SQ. BRASS WIRE.
    - HOUSING:- 15% GLASS FILLED POLYESTER
    - UL 94 V-0 COLOUR BLACK
  - FOR PLATING VERSIONS AND VOID VERSIONS SEE SHEET 2.
  - MEASUREMENT POINT FOR MINIMUM PLATING THICKNESS.
  - FOR PRODUCT SPEC SEE PS-99020-0001
  - RECOMMENDED PCB THICKNESS: 2.4mm

|                                                                                                                                               |  |        |  |                                                                   |  |         |  |        |  |                 |  |
|-----------------------------------------------------------------------------------------------------------------------------------------------|--|--------|--|-------------------------------------------------------------------|--|---------|--|--------|--|-----------------|--|
| THIS DRAWING CONTAINS INFORMATION THAT IS PROPRIETARY TO MOLEX ELECTRONIC TECHNOLOGIES, LLC AND SHOULD NOT BE USED WITHOUT WRITTEN PERMISSION |  |        |  |                                                                   |  |         |  |        |  |                 |  |
| DIMENSION UNITS                                                                                                                               |  | SCALE  |  | CURRENT REV DESC: REMOVED OBSOLETE PART NUMBER AS PER PCN#512063. |  |         |  |        |  |                 |  |
| MM/IN                                                                                                                                         |  | NTS    |  |                                                                   |  |         |  |        |  |                 |  |
| GENERAL TOLERANCES (UNLESS SPECIFIED)                                                                                                         |  |        |  |                                                                   |  |         |  |        |  |                 |  |
|                                                                                                                                               |  | MM     |  | INCH                                                              |  |         |  |        |  |                 |  |
| 4 PLACES                                                                                                                                      |  | ±      |  | ±                                                                 |  |         |  |        |  |                 |  |
| 3 PLACES                                                                                                                                      |  | ±      |  | ± 0.004                                                           |  |         |  |        |  |                 |  |
| 2 PLACES                                                                                                                                      |  | ±      |  | 0.1                                                               |  |         |  |        |  |                 |  |
| 1 PLACE                                                                                                                                       |  | ±      |  | ±                                                                 |  |         |  |        |  |                 |  |
| 0 PLACES                                                                                                                                      |  | ±      |  | ±                                                                 |  |         |  |        |  |                 |  |
| ANGULAR TOL                                                                                                                                   |  | ± 0.5° |  |                                                                   |  |         |  |        |  |                 |  |
| DRAFT WHERE APPLICABLE MUST REMAIN WITHIN DIMENSIONS                                                                                          |  |        |  | THIRD ANGLE PROJECTION                                            |  | DRAWING |  | SERIES |  | MATERIAL NUMBER |  |
|                                                                                                                                               |  |        |  |                                                                   |  | A3-SIZE |  | 90130  |  | SEE TABLE       |  |
|                                                                                                                                               |  |        |  |                                                                   |  |         |  |        |  | CUSTOMER        |  |
|                                                                                                                                               |  |        |  |                                                                   |  |         |  |        |  | GENERAL MARKET  |  |
|                                                                                                                                               |  |        |  |                                                                   |  |         |  |        |  | SHEET NUMBER    |  |
|                                                                                                                                               |  |        |  |                                                                   |  |         |  |        |  | 5 OF 6          |  |

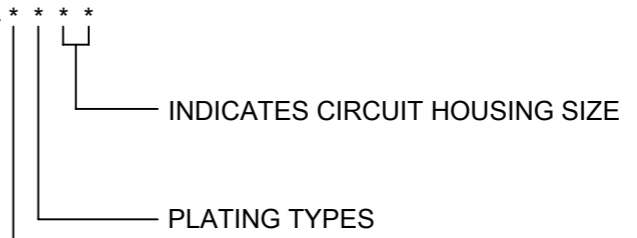
|                 |    |              |            |          |
|-----------------|----|--------------|------------|----------|
| DOCUMENT STATUS | P1 | RELEASE DATE | 2022/10/07 | 06:42:03 |
|-----------------|----|--------------|------------|----------|

| VERSION FULLY LOADED |              |                |                |                |                |
|----------------------|--------------|----------------|----------------|----------------|----------------|
| NO OF CKTS           | HSG CKT SIZE | PART NUMBER    |                |                |                |
|                      |              | PLATING TYPE A | PLATING TYPE E | PLATING TYPE F | PLATING TYPE G |
| 30                   | 30           | 90130-X130     | -              | -              | -              |

NOTES :

- FOR ASSEMBLY, SEE SHEET 1.
- REFER TO LEGEND FOR PLATING OPTIONS.

90130 - \* \* \*



STYLE: 9 - RIGHT ANGLE VERSION (3.40mm)

- 1 - TYPE A:  
3.0µm MIN. TIN OVER 1.27µm - 2.54µm NICKEL.
- 2 - TYPE E:  
0.38µm MIN. GOLD IN SELECTED AREA & 3.0µm MIN. TIN IN SELECTED AREA OVER 1.3µm MIN. NICKEL OVERALL.
- 3 - TYPE F:  
0.76µm MIN. GOLD IN SELECTED AREA. & 3.0µm MIN. TIN IN SELECTED AREA OVER 1.3µm MIN. NICKEL OVERALL.
- 4 - TYPE G:  
0.05 -0.10µm GOLD FLASH IN SELECTED AREA & 3.0µm MIN. TIN IN SELECTED AREA OVER 1.3µm MIN. NICKEL OVERALL.

|                                                                                                                                               |  |                        |  |                                                                   |  |                        |  |                 |  |                          |  |
|-----------------------------------------------------------------------------------------------------------------------------------------------|--|------------------------|--|-------------------------------------------------------------------|--|------------------------|--|-----------------|--|--------------------------|--|
| THIS DRAWING CONTAINS INFORMATION THAT IS PROPRIETARY TO MOLEX ELECTRONIC TECHNOLOGIES, LLC AND SHOULD NOT BE USED WITHOUT WRITTEN PERMISSION |  |                        |  |                                                                   |  |                        |  |                 |  |                          |  |
| DIMENSION UNITS<br><b>MM/IN</b>                                                                                                               |  | SCALE<br><b>NTS</b>    |  | CURRENT REV DESC: REMOVED OBSOLETE PART NUMBER AS PER PCN#512063. |  |                        |  |                 |  |                          |  |
| GENERAL TOLERANCES (UNLESS SPECIFIED)                                                                                                         |  |                        |  |                                                                   |  | EC NO: 713759          |  |                 |  |                          |  |
|                                                                                                                                               |  | MM                     |  | INCH                                                              |  | DRWN: SANTHN           |  | 2022/09/13      |  | PRODUCT CUSTOMER DRAWING |  |
| 4 PLACES ±                                                                                                                                    |  | ±                      |  | ±                                                                 |  | CHK'D: GB              |  | 2022/10/07      |  | DOCUMENT NUMBER          |  |
| 3 PLACES ±                                                                                                                                    |  | ± 0.1                  |  | ± 0.004                                                           |  | APPR: GB               |  | 2022/10/07      |  | DOCS TYPE                |  |
| 2 PLACES ±                                                                                                                                    |  | ±                      |  | ±                                                                 |  | INITIAL REVISION:      |  | 1988/08/23      |  | DOCS PART                |  |
| 1 PLACE ±                                                                                                                                     |  | ±                      |  | ±                                                                 |  | DRWN: KS               |  | 2010/02/19      |  | REVISION                 |  |
| 0 PLACES ±                                                                                                                                    |  | ±                      |  | ±                                                                 |  | APPR: MLONG            |  | SDA-90130       |  | PSD 001 CA6              |  |
| ANGULAR TOL ± 0.5°                                                                                                                            |  | ±                      |  | ±                                                                 |  | THIRD ANGLE PROJECTION |  | DRAWING         |  | SHEET NUMBER             |  |
| DRAFT WHERE APPLICABLE MUST REMAIN WITHIN DIMENSIONS                                                                                          |  | THIRD ANGLE PROJECTION |  | DRAWING                                                           |  | SERIES                 |  | MATERIAL NUMBER |  | CUSTOMER                 |  |
|                                                                                                                                               |  | A3-SIZE                |  | 90130                                                             |  | SEE TABLE              |  | GENERAL MARKET  |  | 6 OF 6                   |  |