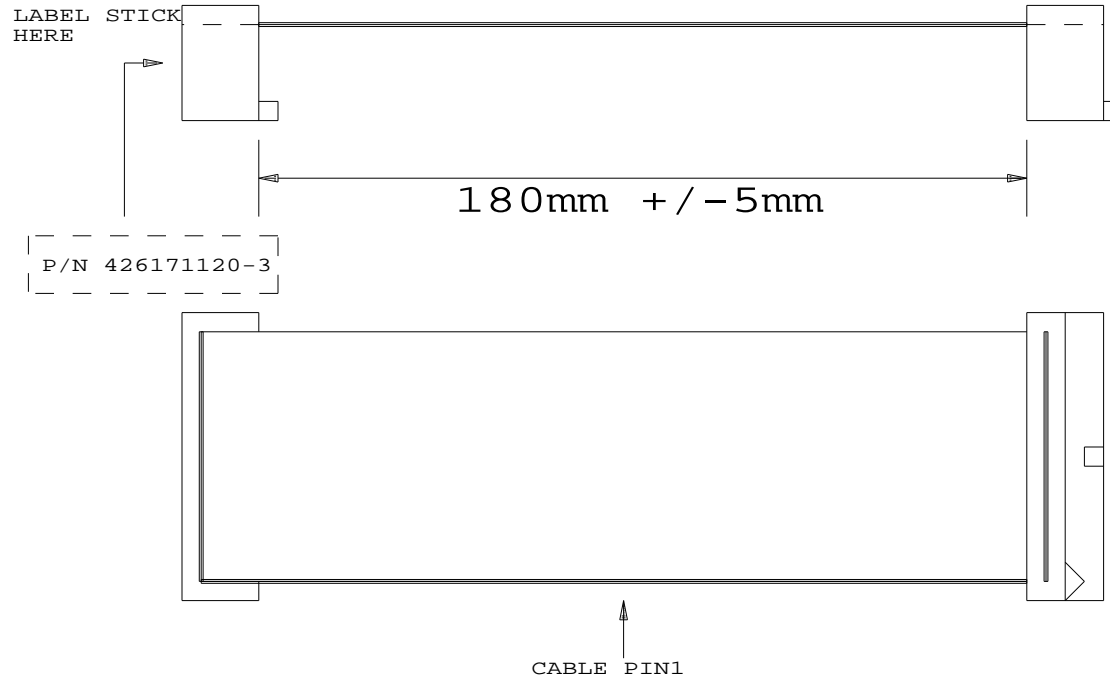


REMARK : CONNECTORS SHOULD BE PROTECTED WITH BUBBLE BAG  
(EACH SUB-PACKING)

TOLERANCE :

+5mm  
-5mm



CONNECTOR : 25 X 2 IDC CONNECTOR , 1.27 X 2.54MM PITCH

WIRE : 3M 3604/50, 50WAY 0.635MM PITCH

RoHS  
COMPLIANCE

P/N 426171120-3  
FLAT CABLE FOR HD-SDI

DIGITAL VIEW LTD.  
COPYRIGHT 2007, ALL RIGHTS RESERVED  
CONFIDENTIAL  
DRAWN BY: VICTOR NG

Title		
FLAT CABLE FOR HD-SDI		
Size	Document Number	REV
A	(... \DV \DV_CABLE \C6171120.SCH)	00
Date:	January 24, 2007	Sheet 1 of 1