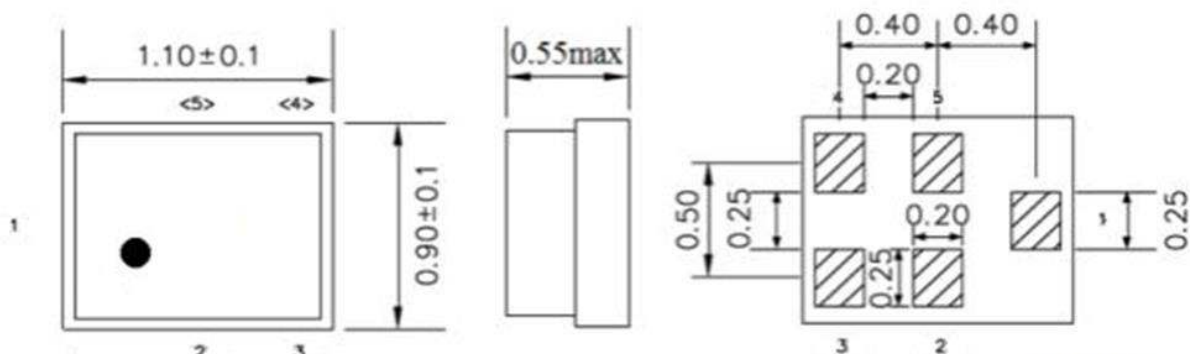


Electrical Specification

Parameters		Value	Unit
Center Frequency (Fo)		1582.400	MHz
Insertion Loss, tpy/max	@ 1559.09 ~ 1563.10MHz	1.5 / 2.3	dB
	@ 1565.42 ~ 1585.42MHz	1.3 / 1.7	dB
	@ 1574.42 ~ 1576.42MHz	1.1 / 1.5	dB
	@ 1597.55 ~ 1605.89MHz	1.5 / 2.3	dB
Pass Band Ripple	@ 1559.09 ~ 1563.10MHz	0.4 / 1.6	dB
	@ 1565.42 ~ 1585.42MHz	0.4 / 1.0	dB
	@ 1574.42 ~ 1576.42MHz	0.4 / 1.6	dB
Amplitude Balance	@ 1559.09 ~ 1605.89 MHz	0.6 / 1.5	dB
VSWR	@ 1559.09 ~ 1605.89 MHz	1.6 / 2.5	dB
Phase Balance, tpy/max	@ 1559.09 ~ 1605.89 MHz	±3 / ±10	°C
Absolute Attenuation, tpy/min	@ 10 ~ 960 MHz	-35 / -52	dB
	@ 1427 ~ 1463 MHz	-30 / -42	dB
	@ 1710 ~ 1785 MHz	-29 / -34	dB
	@ 1850 ~ 1910 MHz	-35 / -42	dB
	@ 1920 ~ 1980 MHz	-35 / -44	dB
	@ 2400 ~ 2500 MHz	-35 / -50	dB
	@ 2500 ~ 2570 MHz	-35 / -51	dB
Unbalance Port Matching Impedance		50	Ω
Balance Port Matching Impedance		100	Ω
ESD voltage Sensitive discharge device	ESD(HBM)	50	VDC
	ESD(MM)	175	
DC. Voltage VDC		5	V
Input Power, max, CW 5000h, 50°C		15	dBm
Operating Temperature Range		-30 ~ +85	°C
Storage Temperature Range		-40 ~ +85	°C

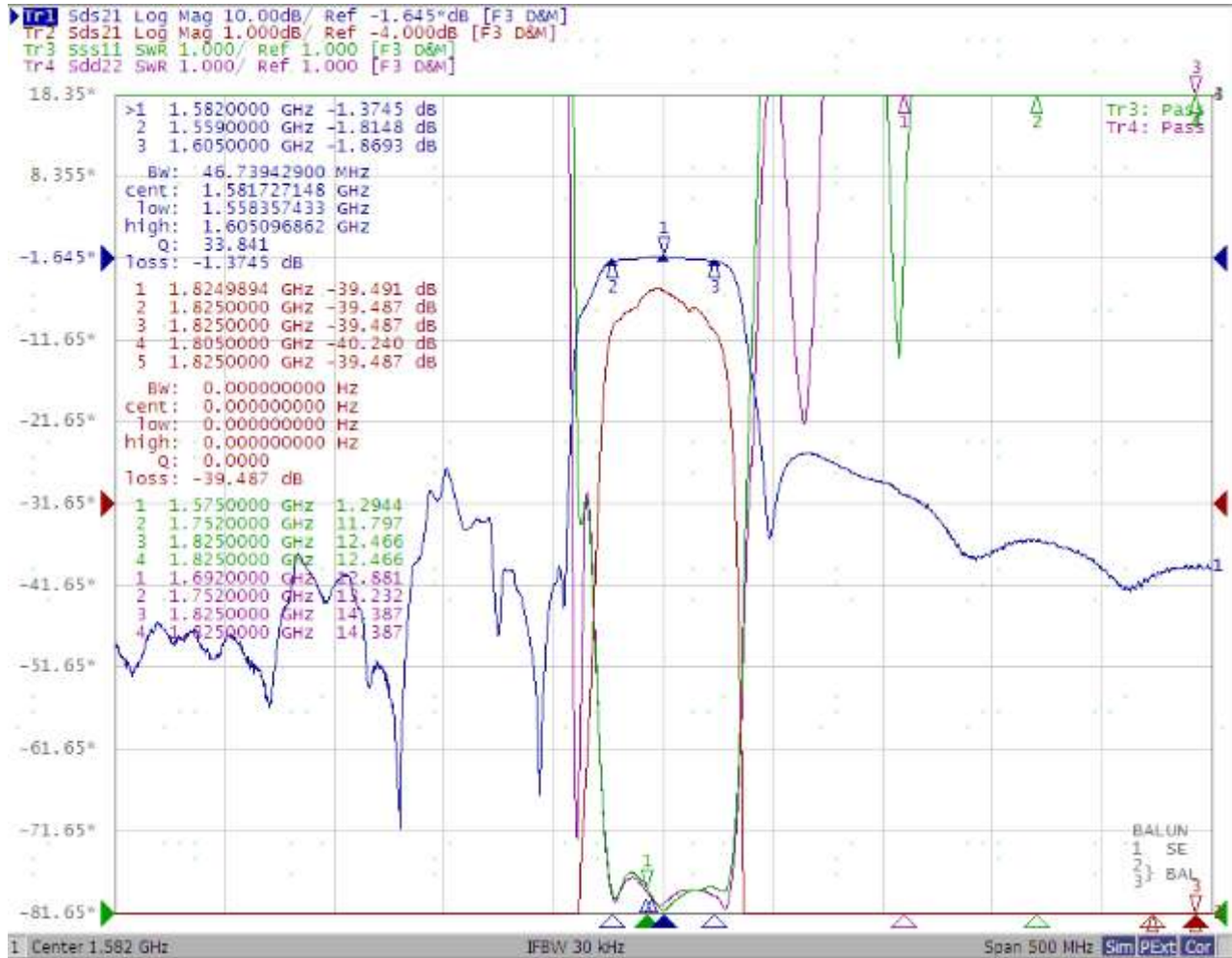
Dimension



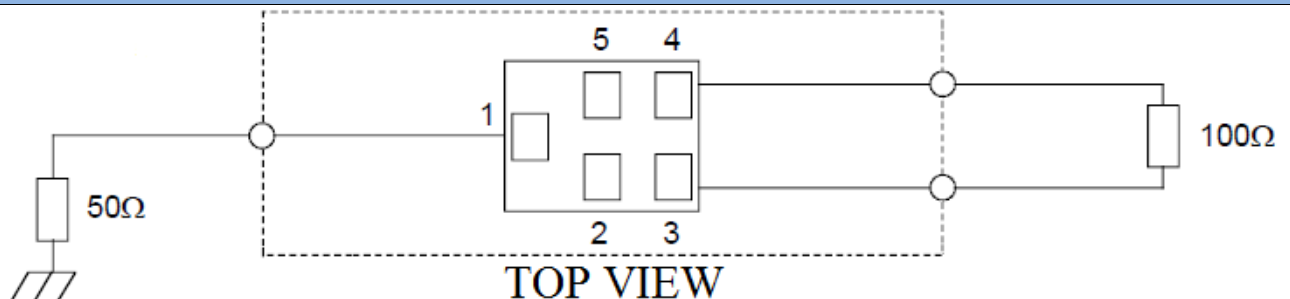
Unit: mm

PIN #	PIN NAME	DESCRIPTION
1	IN	Input
3, 4	OUT	Output
2, 5	GND	Ground

Frequency Characteristics



Test Circuit

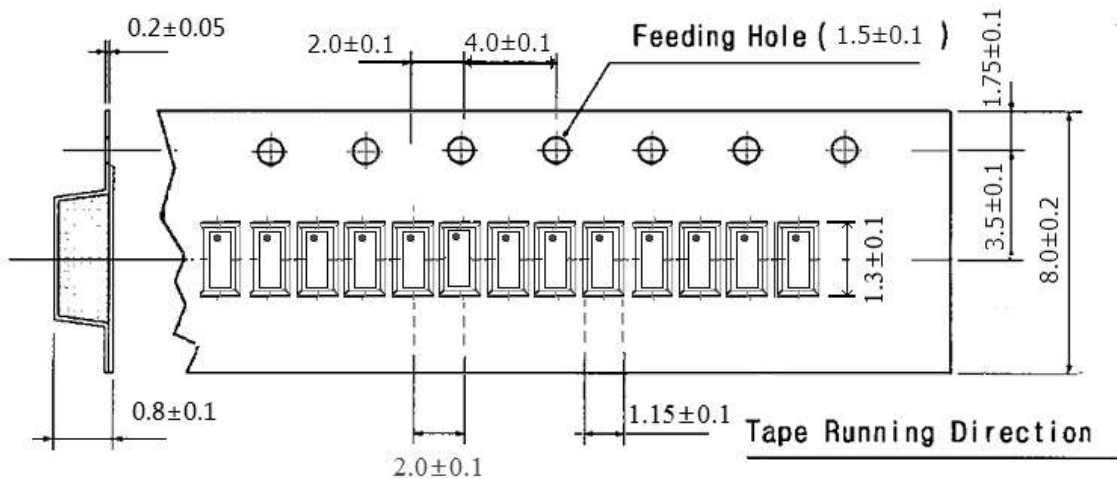


Environmental

PARAMETER	VALUE
MOISTURE SENSITIVITY LEVEL	2
REACH – SVHC	Compliant
RoHS	Compliant



Tape Dimension



● APPROVAL

DRAWN BY	ZZ, August 9, 2021
APPROVED BY	AR, August 9, 2021
REVISION	A, Initial Release

Raltron Electronics / RAMI Technology USA, LLC, including its affiliates, employees, agents and other persons acting on its behalf (collectively Raltron/RAMI Tech), disclaim any and all liability for any errors or inaccuracies contained in this data sheet. While Raltron/RAMI Tech has made every reasonable effort to ensure the accuracy of all product information, specifications and data contained herein, Raltron/RAMI Tech does not guarantee that the information is accurate, reliable, or current. The product information is provided only for reference purposes only and is subject to change, correction or revision, at any time without notice. Raltron/RAMI Tech does not assume any liability arising out of an application or use of any product described herein and disclaims any warranties expressed or implied. The user of products in such applications shall assume all risks of such use and will agree to hold Raltron/RAMI Tech, harmless against all damages.

Copyright © 2016, Raltron Electronics / RAMI Technology USA, LLC. All rights reserved. No part of this document may be reproduced in any form without the prior written permission of Raltron Electronics / RAMI Technology USA, LLC.