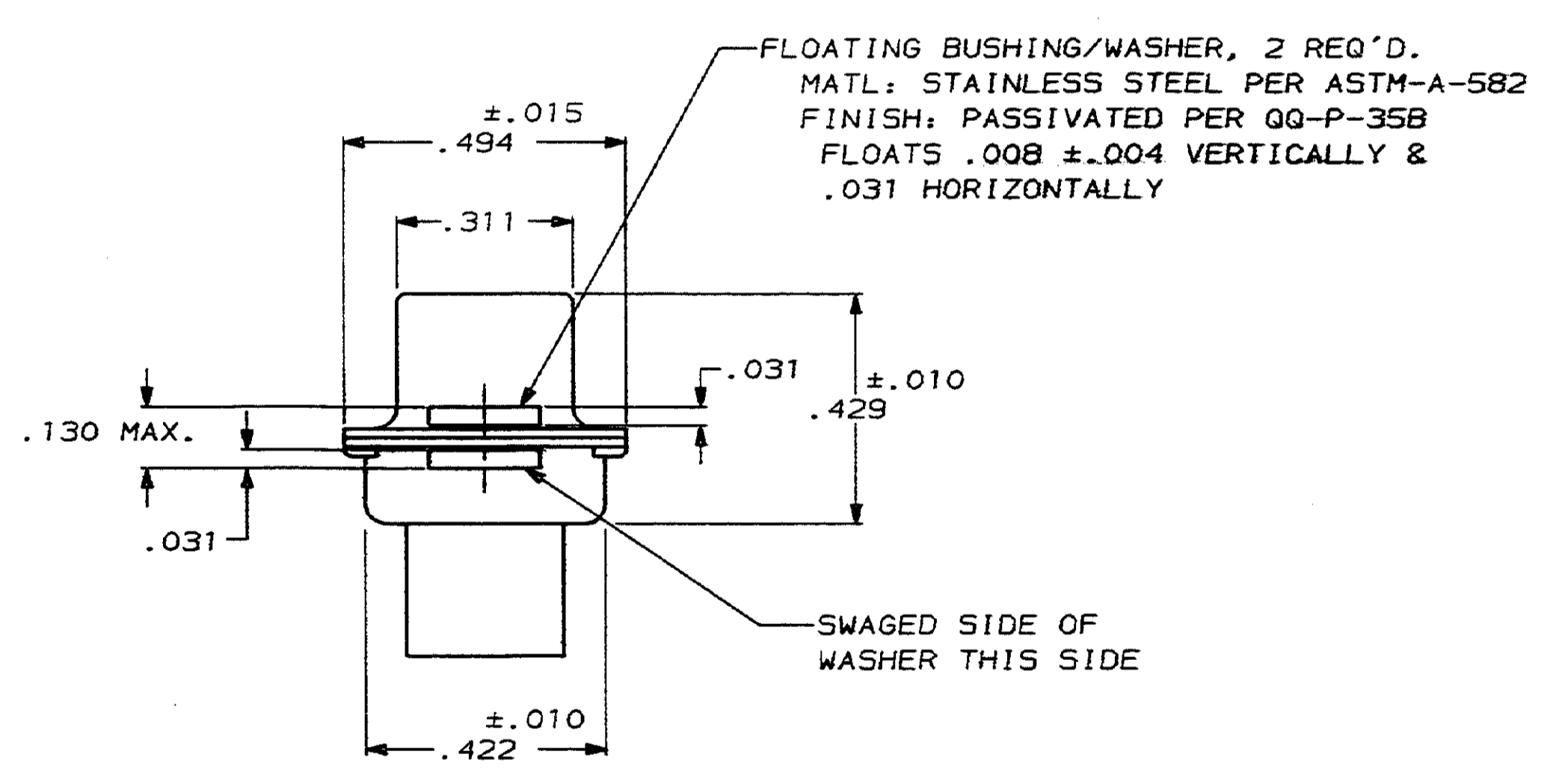
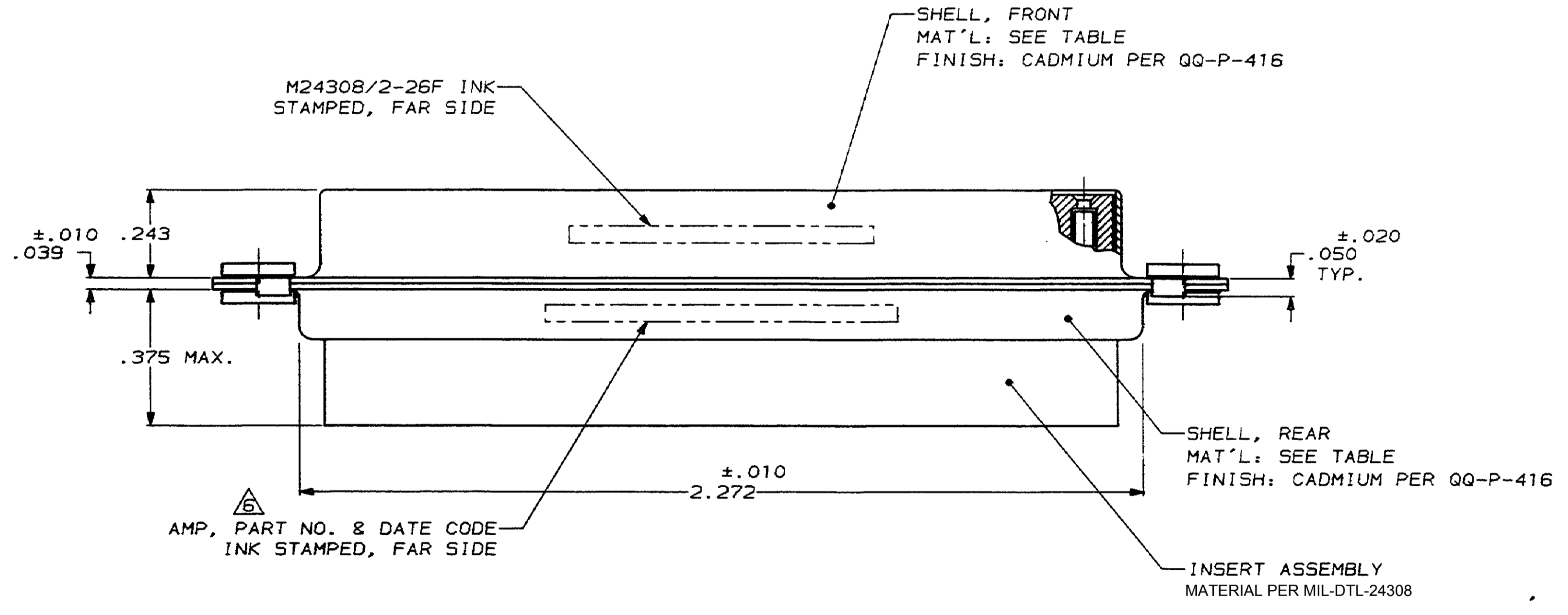
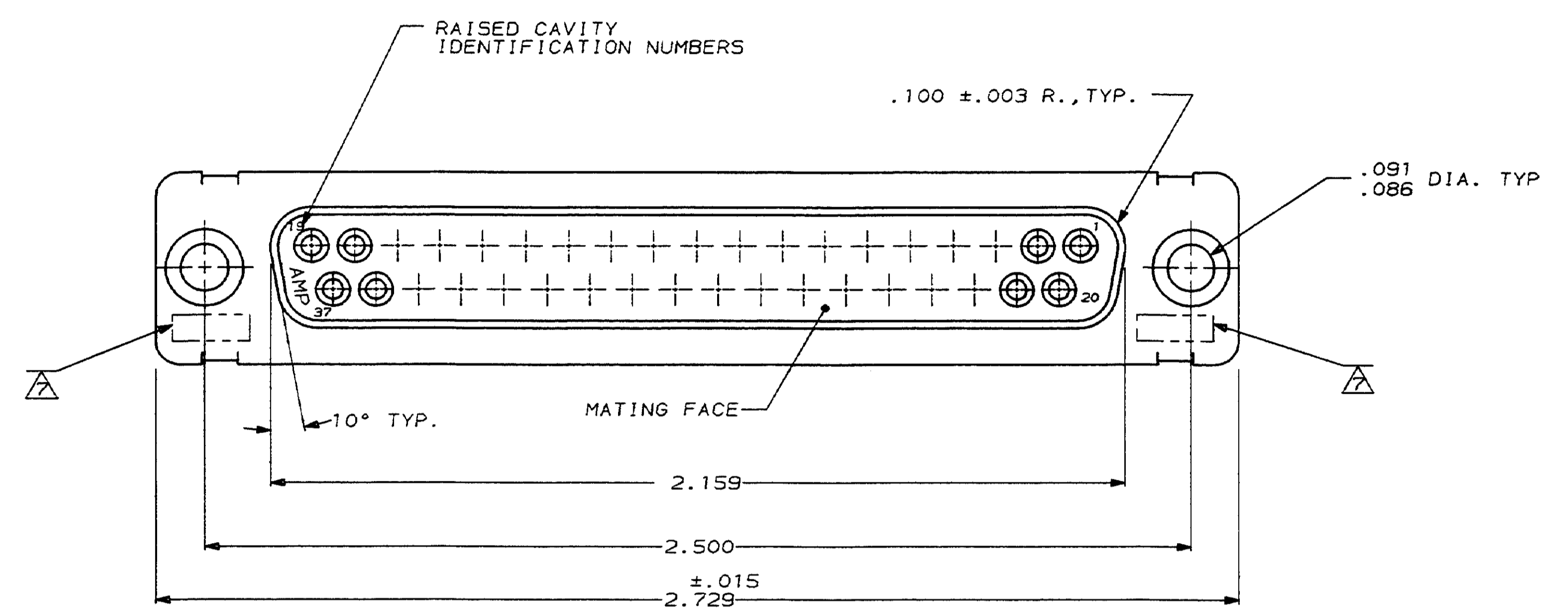


PROD		LOC		DIST		REV		REVISIONS		DATE	APPD	
CODE	DF	DO	P	P	ZONE	LTR	DESCRIPTION					
5066								M	REV PER ECO 15-016062	KG	5-17	CD



1. THIS RCPT. IS DESIGNED TO CONFORM TO THE LATEST ISSUE OF MIL-C-24308
  2. MAX WIRE INSUL TO BE USED WITH THIS RCPT IS .068 DIA
  3. STAINLESS STEEL RETENTION CLIPS ARE INCLUDED IN INSERTS
  4. PACKAGE STAMPED M24308/2-295F
  5. THIS RCPT. WILL ACCEPT SIZE 20 SOCKET CONTACT M24308/10 OR AMP # 205090
- △ AMP PART NO. STAMPED ON CONNECTOR REPRESENTS KIT NUMBER WITH CONTACTS
- △ UL/CSA DESIGNATION STAMPED IN THIS AREA, OPTIONAL

OBSOLETE	BRASS	205419-2
	STEEL PER ASTM-A-109	205419-1
	SHELL MAT'L	PART NO

DO NOT SCALE PRINT. UNLESS SPECIFIED DIMENSIONS IN INCHES TOLERANCES ON:		DR 12-9-87 C.C. THOMAS		AMP   AMP INCORPORATED Harrisburg, Pa. 17105	
2 PLC DEC ± .005		CHK 12-10-87 F.C. BALLEW III			
3 PLC DEC ± .005		APPD 12-10-87 F.C. BALLEW III		NAME AMPLIMITE RCPT. FOR SOCKET CONTACTS HI-DENSITY "HDM-20" CONNECTOR SIZE 4 (37 POSN) SERIES 109 WITH FLOAT BUSHINGS	
ANGLES ± 0°30'		APPD 12-10-87 D.J.M.			
MATERIAL	SEE CALLOUTS	PRODUCT SPEC	-	SIZE	FSCH NO
FINISH	SEE CALLOUTS	APPLICATION SPEC	-	D	00779
		WEIGHT	-	SCALE	4:1
				DRAWING NO	205419
				REV	M
				SHEET	1 OF 1