

EZ-BLE™ PSoC® EVALUATION BOARD

CYBLE-224110-EVAL



The EZ-BLE™ PSoC® Evaluation Board (CYBLE-224110-EVAL) enables you to evaluate and develop applications on the EZ-BLE PSoC Module (CYBLE-224110-00). The EZ-BLE PSoC Module is a fully-integrated, fully-certified, 9.5 mm x 15.4 mm x 1.8 mm, programmable, Bluetooth® Smart module designed to reduce your time-to-market.

For more information visit:

www.cypress.com/EZ-BLEModule - The EZ-BLE Module home page.

www.cypress.com/EZ-BLEEval - EZ-BLE PSoC Evaluation Kits.

www.cypress.com/go/AN96841 - The getting started guide.

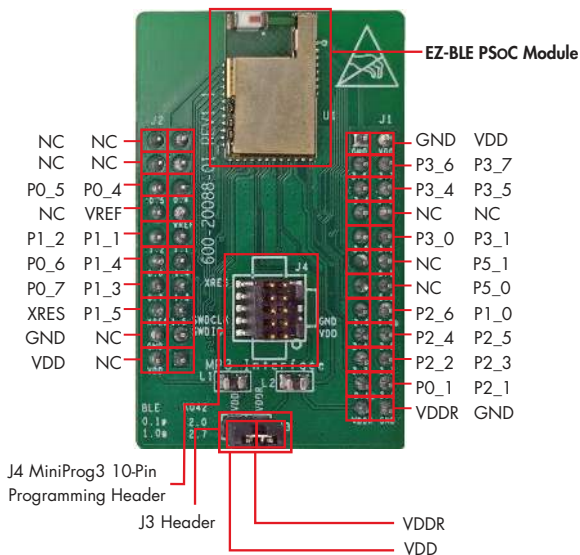
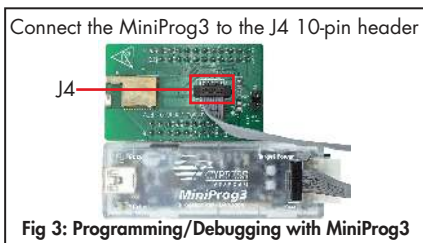
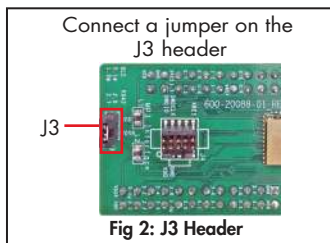


Fig 1: CYBLE-224110-EVAL Pinout Description

Note: To use the CYBLE-224110-EVAL you must separately purchase either the CY8CKIT-002 MINIPROG3 or the CY8CKIT-042-BLE BLE PIONEER KIT.

EZ-BLE™ PSoC® EVALUATION BOARD

1: Connect the CYBLE-224110-00-EVAL to the CY8CKIT-002 (MiniProg3)



OR

Plug the CYBLE-224110-EVAL on the CY8CKIT-042-BLE baseboard.

Note: The jumper on CYBLE-224110-EVAL's J3 header can be connected or disconnected.

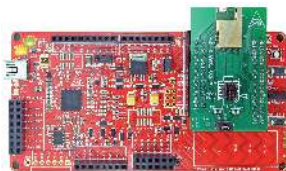


Fig 4: Programming and debugging with CY8CKIT-042-BLE BLE Pioneer Kit Baseboard

Pin Mapping between CY8CKIT-042-BLE (Base) and CYBLE-224110-EVAL (Eval)							
(Base)	(Eval)	(Base)	(Eval)	(Base)	(Eval)	(Base)	(Eval)
GND	GND	P0_7	P0_7	P2_2	P2_2	P3_4	P3_4
VDDD, VDDA	VDD	P1_1	P1_1	P2_3	P2_3	P3_5	P3_5
VDDR	VDDR	P1_2	P1_2	P2_4	P2_4	P3_6	P3_6
XRES	XRES	P1_3	P1_3	P2_5	P2_5	P3_7	P3_7
VREF	VREF	P1_4	P1_4	P2_6	P2_6	P5_0	P5_0
PO_4	PO_4	P1_5	P1_5	P2_7	P1_0	P5_1	P5_1
PO_5	PO_5	P2_0	P0_1	P3_0	P3_0		
PO_6	PO_6	P2_1	P2_1	P3_1	P3_1		

2: Create a project using the CYBLE-224110-00 MPN and program/debug using PSoC® Creator™ 3.3 SP2.

The EZ-BLE PSoC Module is qualified for the Bluetooth 4.1 specification and is certified for the 2.4 GHz unlicensed frequency range in USA (FCC), Canada (IC), Europe (CE), Japan (TELEC) and Korea (KC).

Visit www.cypress.com/go/support for technical support