

10131493-AA B C D E LF

AA	POSITION
04	2X20
06	2X30
08	2X40
10	2X50
12	2X60
14	2X70
16	2X80
18	2X90
20	2X100

B	FOR PLUG, SEE DWG. NO. 61083			
COMBINATION OF MATED HEIGHT	Plug 1	Plug 2	Plug 3	Plug 4
Recep 1				

E	PACKAGING
0	TUBE WITHOUT METAL CAP
2	T&R WITH METAL CAP
9	TUBE WITH METAL CAP
6	T&R WITHOUT METAL CAP (WITH KAPTON TAPE)

D	POLARIZATION PEG	HOLD DOWN
0	YES	NO
2	NO	NO

C	PLATING ON CONTACT AREA
4	GOLD 0.2um MIN / PURE TIN 2um MIN (LEAD FREE) NICKEL UNDERPLATE OVERALL 1.27um MIN
5	GOLD 0.38um MIN / PURE TIN 2um MIN (LEAD FREE) NICKEL UNDERPLATE OVERALL 1.27um MIN
6	GOLD FLASH (0.1um MIN) OVER PALLADIUM-NICKEL 0.76um MIN / PURE TIN 2um MIN (LEAD FREE) NICKEL UNDERPLATE OVERALL 1.27um MIN

NOTES:

- MATERIAL
HOUSING: HIGH TEMPERATURE RESISTANT PLASTIC
TERMINAL: COPPER ALLOY
- PLATING: AS SHOWN IN TABLE.
- SEE GS-12-547 FOR PRODUCT SPEC.
- SEE GS-15-551 AND GS-14-816 FOR THE DETAILS OF PACKAGING.
PRODUCT WILL BE PACKED IN ACCORDANCE TO GLOBAL PROCEDURE GS-14-920.
- PACKAGING OPTION 2: "NOT ALL SIZES AVAILABLE; CHECK WITH FACTORY".
- THIS PRODUCT MEETS THE EUROPEAN UNION DIRECTIVES AND OTHER COUNTRY REGULATIONS AS DESCRIBED IN GS-22-008.
- THE HOUSING WITH WITHSTAND EXPOSURE UP TO 260° PEAK TEMPERATURE FOR 30 SECONDS IN A CONVECTION, INFRA-RED OR VAPOR REFLOW OVEN.
- PLATING OPTION "4" IS LEADFREE ALTERNATIVE FOR OPTION "0", AND OPTION "6" IS LEADFREE ALTERNATIVE FOR OPTION "1".
- A Δ SYMBOL WILL BE NEXT TO ANY DIMENSION, VIEW OR NOTE WHICH HAS BEEN MODIFIED WITH THE CURRENT DRAWING REVISION.



Copyright FCI.

spec ref	dr	Guomin Sun	2014-10-28	projection	mm	size	A3	scale	4:1
tolerance std	eng	Guomin Sun	2014-10-28		← mm →	ecn no	-	rel level	RELEASED
	chr	ZK Hu	2014-10-28						
	appr	Feagle Pan	2014-10-28						
surface	linear	0.X	±0.2		title	BERGSTAK 0.8mm BTB	dwg no	10131493	rev
		0.XX	±0.15						
		0.XXX	±0.10						
angular	0°	±2°	www.fci.com	cat. no.	-	Product - Customer drw	sheet 1 of 3		

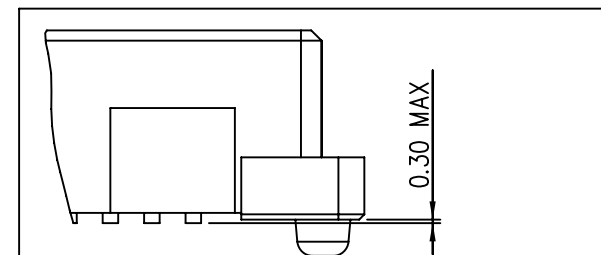
1

2

3

4

PRODUCT NO.	NUMBER OF POSITIONS	DIMENSION		
		A	B	C
10131493-041***	2X20	15.2	21.8	20.2
10131493-061***	2X30	23.2	29.8	28.2
10131493-081***	2X40	31.2	37.8	36.2
10131493-101***	2X50	39.2	45.8	44.2
10131493-121***	2X60	47.2	53.8	52.2
10131493-141***	2X70	55.2	61.8	60.2
10131493-161***	2X80	63.2	69.8	68.2
10131493-181***	2X90	71.2	77.8	76.2
10131493-201***	2X100	79.2	85.8	84.2



COPLANARITY OF TAIL:
0.1 MAX. APPLIED TO 2X20 TO 2X70 POS.
0.13 MAX APPLIED TO 2X80 TO 2X100 POS.

HIGH PRECISION COPLANARITY IS AVAILABLE
FOR 2X80 TO 2X100 POS.
PLS REFER TO PRINT 10069524.

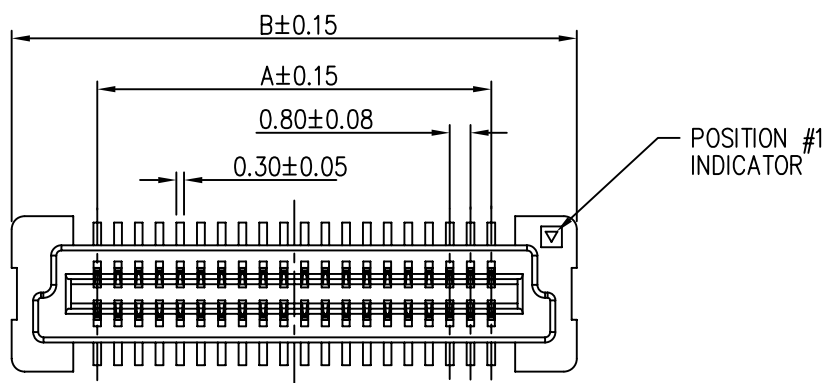
DETAIL A
SCALE 10:1

A

A

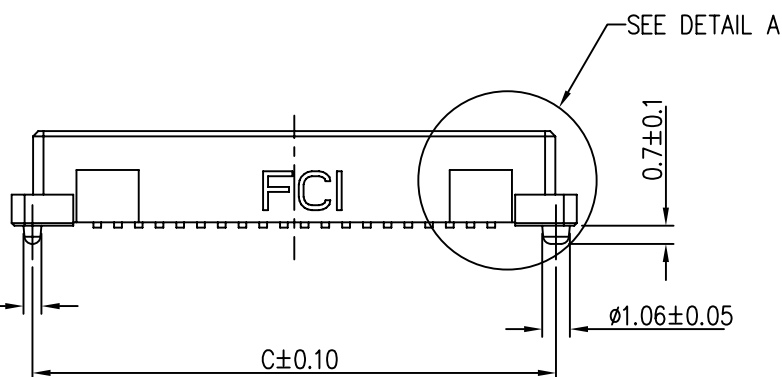
B

B



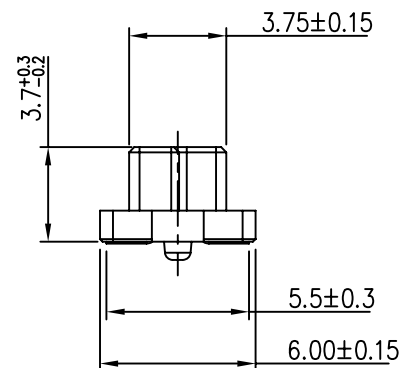
C

C



D

D



RECEPTACLE 1

spec ref	dr	Guomin Sun	2014-10-28	projection	mm	size	A3	scale	5:1
tolerance std	eng	Guomin Sun	2014-10-28			ecn no	-	rel level	RELEASED
TOLERANCES UNLESS OTHERWISE SPECIFIED surface <input checked="" type="checkbox"/>	chr	ZK Hu	2014-10-28						
	appr	Feagle Pan	2014-10-28	title	BERGSTAK 0.8mm BTB RECEPTACLE ASSY	dwg no	10131493	rev	A
	linear	0.X	±0.2	www.fci.com	cat. no.	-	Product - Customer drw	sheet 2 of 3	
angular	0°	±2°							

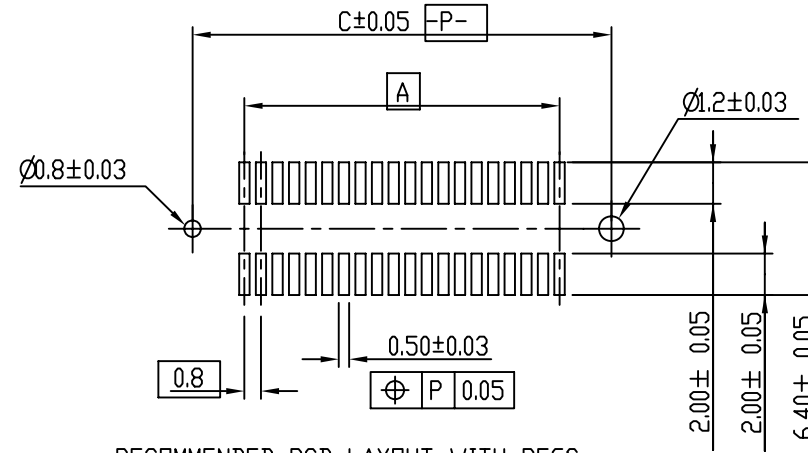
1

2

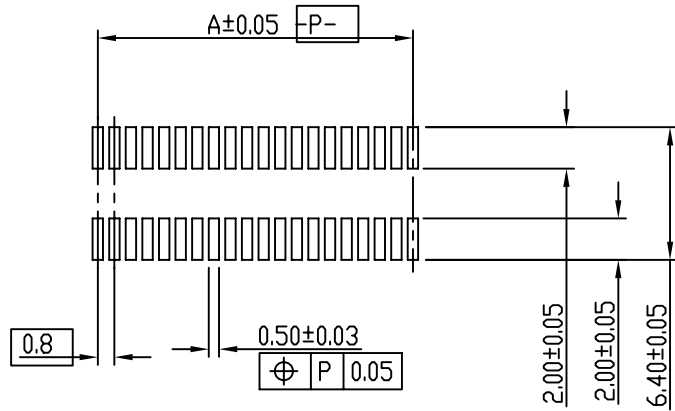
3

4

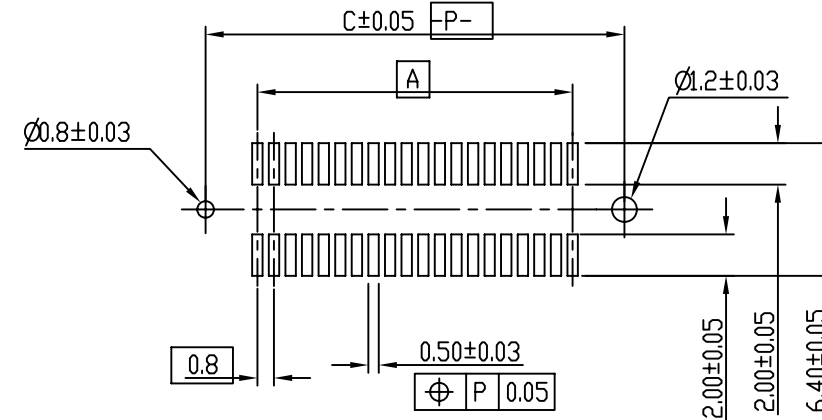
RECEPTACLE 1



RECOMMENDED PCB LAYOUT WITH PEGS
FOR NO. OF POSITION 2X20, 2X30, 2X40, 2X50, 2X60



RECOMMENDED PCB LAYOUT WITHOUT PEGS AND HOLDDOWN



RECOMMENDED PCB LAYOUT WITH PEGS
FOR NO. OF POSITION 2X70, 2X80, 2X90, 2X100



Copyright FCI.

spec ref	dr	Guomin Sun	2014-10-28	projection	mm	size	A3	scale	5:1
tolerance std	eng	Guomin Sun	2014-10-28			ecn no	-	rel level	RELEASED
	chr	ZK Hu	2014-10-28						
	appr	Feagle Pan	2014-10-28						
surface	linear	0.X	±0.2		title	dwg no	-	rev	A
		0.XX	±0.15						
		0.XXX	±0.10						
	angular	0°	±2°	www.fci.com	cat. no.	-	Product - Customer drw	sheet 3 of 3	