


Protective covers - VS-PPC-C1-PC67-MNNA - 1608142

Please be informed that the data shown in this PDF Document is generated from our Online Catalog. Please find the complete data in the user's documentation. Our General Terms of Use for Downloads are valid (<http://download.phoenixcontact.com>)

Protective cover, IP67, metal version, to cover the contact insert in the RJ45 and SCRJ push-pull panel mounting frames



Key commercial data

Packing unit	1 PCE
GTIN	 4 046356 159982
Custom tariff number	79070000
Country of origin	GERMANY

Technical data

Mechanical characteristics

Locking type	Push Pull
Insertion/withdrawal cycles	≥ 500
Color	Nickel-plated
Ambient temperature (operation)	-40 °C ... 70 °C

Material data

Inflammability class according to UL 94	V0
Housing material	Zinc die-cast
Housing surface material	Nickel-plated
Material	Metal
Material, O-ring	NBR
Material housing intermediate seal	NBR
Degree of protection	IP65/67

Protective covers - VS-PPC-C1-PC67-MNNA - 1608142

Classifications

ETIM

ETIM 3.0	EC002314
ETIM 4.0	EC002314
ETIM 5.0	EC002314

UNSPSC

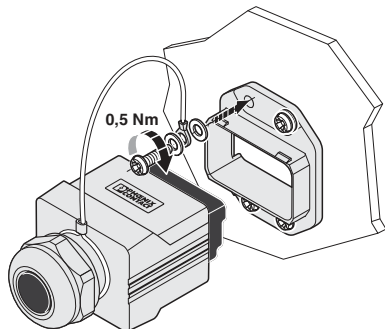
UNSPSC 11	31261501
UNSPSC 12.01	31261501
UNSPSC 13.2	31261501
UNSPSC 6.01	31261501
UNSPSC 7.0901	31261501

eCl@ss

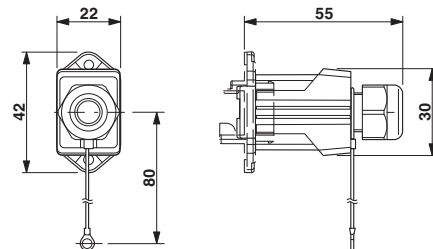
eCl@ss 4.0	272607xx
eCl@ss 4.1	27260701
eCl@ss 5.0	27260701
eCl@ss 5.1	27260701
eCl@ss 6.0	27261210
eCl@ss 7.0	27440208

Drawings

Explosion drawing



Dimensioned drawing



Protective cover for the Push-Pull panel mounting frame

Mounting the protective cover