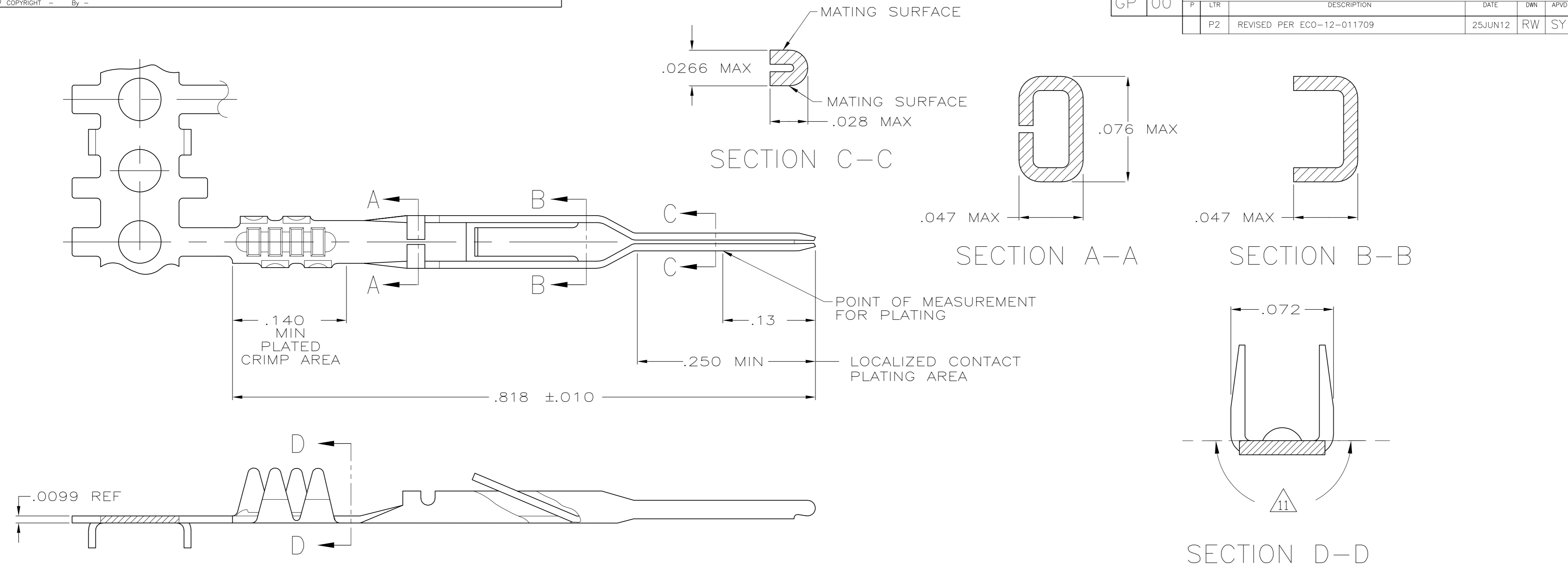


THIS DRAWING IS UNPUBLISHED. RELEASED FOR PUBLICATION
 © COPYRIGHT - By - ALL RIGHTS RESERVED.

LOC		DIST		REVISIONS			
P	LTR	DESCRIPTION	DATE	DWN	APVD		
GP	00						
	P2	REVISED PER ECO-12-011709	25JUN12	RW	SY		



- 1 NICKEL UNDERPLATE .000050 MIN THK ON ENTIRE CONTACT WITH GOLD .000050 THK ON LOCALIZED PLATE AREA AND BRIGHT TIN-LEAD .000100 MIN THK IN CRIMP AREA, -OR- GOLD FLASH OVER PALLADIUM-NICKEL, .000050 MIN TOTAL THK IN LOCALIZED CONTACT PLATING AREA AND BRIGHT TIN-LEAD .000100 MIN THK IN CRIMP AREA, BOTH OVER .000050 MIN NICKEL ON ENTIRE CONTACT.
- 2 NICKEL UNDERPLATE .000050 MIN THK ON ENTIRE CONTACT WITH GOLD .000015 THK ON LOCALIZED PLATE AREA AND BRIGHT TIN-LEAD .000100 MIN THK IN CRIMP AREA, -OR- GOLD FLASH OVER PALLADIUM-NICKEL, .000015 MIN TOTAL THK IN LOCALIZED CONTACT PLATING AREA AND BRIGHT TIN-LEAD .000100 MIN THK IN CRIMP AREA, BOTH OVER .000050 MIN NICKEL ON ENTIRE CONTACT.
- 3 NICKEL UNDERPLATE .000050 MIN THK ON ENTIRE CONTACT WITH GOLD .000030 THK ON LOCALIZED PLATE AREA AND BRIGHT TIN-LEAD .000100 MIN THK IN CRIMP AREA, -OR- GOLD FLASH OVER PALLADIUM-NICKEL, .000030 MIN TOTAL THK IN LOCALIZED CONTACT PLATING AREA AND BRIGHT TIN-LEAD .000100 MIN THK IN CRIMP AREA, BOTH OVER .000050 MIN NICKEL ON ENTIRE CONTACT.
- 4 BRIGHT TIN-LEAD .000100 MIN THK OVER NICKEL UNDERPLATE .000050 MIN THK ON ENTIRE CONTACT.
- 5 GOLD .000030 THK ON ENTIRE CONTACT, EXCEPT .000003 MIN THK PERMISSIBLE ON INTERIOR OF CONTACT NOSE, OVER NICKEL .000050 THK ON ENTIRE CONTACT.
- 6 GOLD FLASH IN PLATED CRIMP AREA, .000100 MIN TIN ON LOCALIZED CONTACT PLATING AREA, BOTH OVER .000050 MIN NICKEL ON ENTIRE CONTACT.

- 7 .000050 MIN GOLD ON LOCALIZED PLATE AREA, GOLD FLASH IN PLATED CRIMP AREA, BOTH OVER .000050 MIN NICKEL ON ENTIRE CONTACT, -OR- GOLD FLASH OVER PALLADIUM-NICKEL, .000050 MIN TOTAL THK IN LOCALIZED CONTACT PLATING AREA AND GOLD FLASH ON REMAINDER OVER .000050 MIN NICKEL ON ENTIRE CONTACT.
- 8 .000015 MIN GOLD ON LOCALIZED PLATE AREA, GOLD FLASH IN PLATED CRIMP AREA, BOTH OVER .000050 MIN NICKEL ON ENTIRE CONTACT, -OR- GOLD FLASH OVER PALLADIUM-NICKEL, .000015 MIN TOTAL THK IN LOCALIZED CONTACT PLATING AREA AND GOLD FLASH ON REMAINDER OVER .000050 MIN NICKEL ON ENTIRE CONTACT.
- 9 .000030 MIN GOLD ON LOCALIZED PLATE AREA, GOLD FLASH IN PLATED CRIMP AREA, BOTH OVER .000050 MIN NICKEL ON ENTIRE CONTACT, -OR- GOLD FLASH OVER PALLADIUM-NICKEL, .000030 MIN TOTAL THK IN LOCALIZED CONTACT PLATING AREA AND GOLD FLASH ON REMAINDER OVER .000050 MIN NICKEL ON ENTIRE CONTACT.
- 10 OBSOLETE PARTS: OBSOLETE CIS STREAMLINING PER D.RENAUD/D.SINISI
- 11 GOLD PLATING MAY OR MAY NOT BE PRESENT ON THE BOTTOM OF THE CRIMP BARREL IN THIS AREA.

11	9	1-88117-0
11	8	88117-9
10	7	88117-8
11	6	88117-7
OBSOLETE	5	88117-6
	4	88117-5
	3	88117-4
	2	88117-3
10	1	88117-2
		FNSH PART NO

THIS DRAWING IS A CONTROLLED DOCUMENT.

DWN	P.BERRY	3-21-86
CHK	D.R.WORTHINGTON	3-24-86
APVD	-	-
PRODUCT SPEC	NAME	
APPLICATION SPEC	CONTACT, .025 SQ PIN	
MATERIAL	PHOS BRONZE	FINISH
TOLERANCES UNLESS OTHERWISE SPECIFIED:		SEE TABLE
DIMENSIONS: INCHES		SEE TABLE
MATERIAL		PHOS BRONZE
FINISH		SEE TABLE
SIZE	A2	CAGE CODE
WEIGHT	-	DRAWING NO
CUSTOMER DRAWING	114-16015	88117
SCALE	NTS	SHEET
	1	OF 1
REV	P2	

TE Connectivity