

REFERENCE SPECIFICATIONS

MIL-DTL-24308 FOR DIMENSIONS

NFC-93425 FOR CHARACTERISTICS

PHYSICAL CHARACTERISTICS

- INSULATOR MATERIAL: THERMOPLASTIC UL94V0
- CONTACT MATERIAL: PHOSPHOR BRONZE
GOLD OVER NICKEL
- ACCESSORIES: STEEL FOR METAL BRACKETS,
cadmium plated yellow passivation
THERMOPLASTIC UL94V0 FOR PLASTIC BRACKETS
BRASS FOR OTHERS ACCESSORIES,
cadmium plated yellow passivation
- SHELLS: STEEL,
cadmium plated yellow passivation

ELECTRICAL CHARACTERISTICS

- NOMINAL CURRENT: 7.5A
- CONTACT RESISTANCE: <=7.3 m Ohms
- CONTACT/CONTACT : >=1000 V
- CONTACT/GROUND : >=1200 V
- INSULATION RESISTANCE: >=5000 MOhms

ENVIRONMENTAL CHARACTERISTICS

- CLIMATIC CATEGORY: 55/125/56
TEMPERATURE RANGE -55°C TO +125°C
DAMP HEAT STEADY STATE 56 DAYS
SALT SPRAY 48 HOURS

MECHANICAL CHARACTERISTICS

- RETENTION AGAINST TORQUE: -Threaded insert:0.7 N.m min
-Female screw:0.5 N.m min

DBML25S700M

Series

Shell size: **E A B C D**
(see sheet 3)

Front accessory definition
(see sheet 2)

- Blank** :without accessory
- L** :threaded insert M3
- O** :threaded insert UNC 4-40
- V** :female screw UNC 4-40

Layout of contacts (see sheet 3)

9,15,25,37,50

Contacts

- S** Socket

Termination type

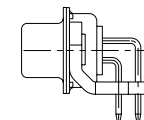
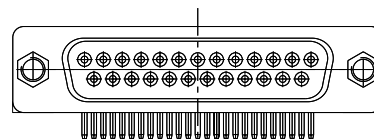
- 7** Right angle/US foot print

Plating

- 00** Right angle 500 matings/unmatings
- 43** Right angle 500 matings/unmatings
for harsh environment

PCB accessories definition(see sheet 2)

- Blank** :Plastic brackets
- C** :Without brackets
- M** :Metal brackets

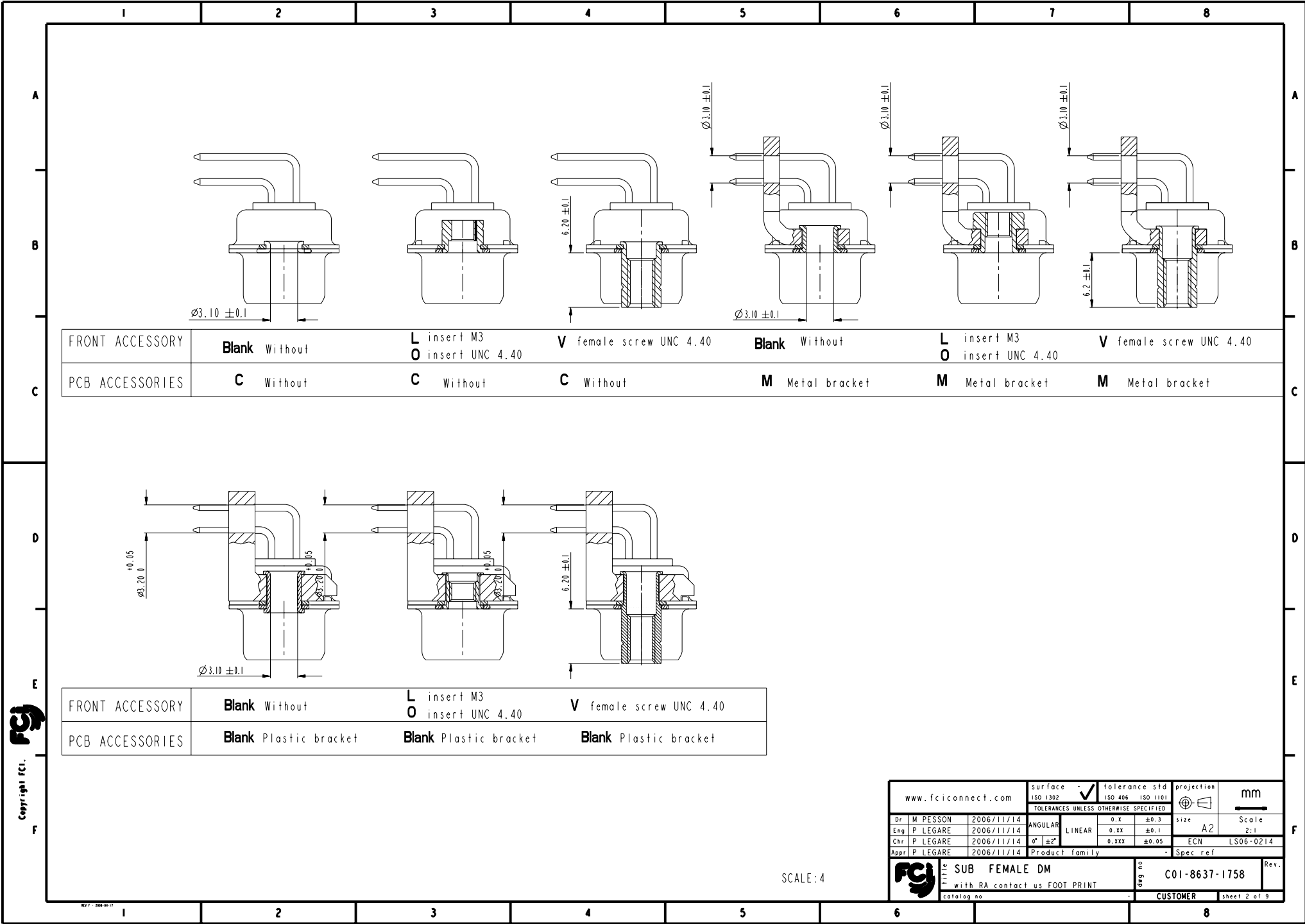


25 WAY for Example

rev	acc no	dr	date
A	LS06-0214	MPE	2006/12/13
-	-	-	-
-	-	-	-
-	-	-	-
-	-	-	-
-	-	-	-

www.fciconnect.com		surface	tolerance std	projection	mm
		ISO 1302	ISO 406 ISO 1101	⊕	←→
		TOLERANCES UNLESS OTHERWISE SPECIFIED			
Dr	M PESSON	2006/11/14	ANGULAR	0.X ±0.3	size A2 Scale 2:1
Eng	P LEGARE	2006/11/14	LINEAR	0.xx ±0.1	ECN LS06-0214
Chr	P LEGARE	2006/11/14	0° ±2°	0.xxx ±0.05	Spec ref
Appr	P LEGARE	2006/11/14	Product family		
FCI		SUB FEMALE DM		ang no	C01-8637-1758
		with RA contact us FOOT PRINT		Rev.	
catalog no		CUSTOMER		sheet 1 of 9	

Copyright FCI



FRONT ACCESSORY	Blank Without	L insert M3 O insert UNC 4.40	V female screw UNC 4.40	Blank Without	L insert M3 O insert UNC 4.40	V female screw UNC 4.40
PCB ACCESSORIES	C Without	C Without	C Without	M Metal bracket	M Metal bracket	M Metal bracket

FRONT ACCESSORY	Blank Without	L insert M3 O insert UNC 4.40	V female screw UNC 4.40
PCB ACCESSORIES	Blank Plastic bracket	Blank Plastic bracket	Blank Plastic bracket

www.fciconnect.com		surface - ISO 1302	tolerance std ISO 406 ISO 1101	projection mm
		TOLERANCES UNLESS OTHERWISE SPECIFIED		
Dr	M PESSON	2006/11/14	ANGULAR	0.X ±0.3
Eng	P LEGARE	2006/11/14	LINEAR	0.XX ±0.1
Chr	P LEGARE	2006/11/14	0° ±2°	0.XXX ±0.05
Appr	P LEGARE	2006/11/14	Product family	- Spec ref
Title SUB FEMALE DM		Part no C01-8637-1758		Rev. -
with RA contact us FOOT PRINT		Customer		sheet 2 of 9
catalog no				


SCALE: 4

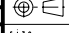

Copyright fci.

PART NUMBER	FRONT ACCESSORY	PCB ACCESSORY
D*MxxS700C	without	without
D*MLxxS700C	insert M3	without
D*MOxxS700C	insert UNC 4.40	without
D*MVxxS700C	female screw UNC 4.40	without
D*MxxS700M	without	Metal bracket
D*MLxxS700M	insert M3	Metal bracket
D*MOxxS700M	insert UNC 4.40	Metal bracket
D*MVxxS700M	female screw UNC 4.40	Metal bracket
D*MxxS700	without	Plastic bracket
D*MLxxS700	insert M3	Plastic bracket
D*MOxxS700	insert UNC 4.40	Plastic bracket
D*MVxxS700	female screw UNC 4.40	Plastic bracket

shell size	Contact number
	XX
E	09
A	15
B	25
C	37
D	50

PART NUMBER	FRONT ACCESSORY	PCB ACCESSORY
D*MxxS743C	without	without
D*MLxxS743C	insert M3	without
D*MOxxS743C	insert UNC 4.40	without
D*MVxxS743C	female screw UNC 4.40	without
D*MxxS743M	without	Metal bracket
D*MLxxS743M	insert M3	Metal bracket
D*MOxxS743M	insert UNC 4.40	Metal bracket
D*MVxxS743M	female screw UNC 4.40	Metal bracket
D*MxxS743	without	Plastic bracket
D*MLxxS743	insert M3	Plastic bracket
D*MOxxS743	insert UNC 4.40	Plastic bracket
D*MVxxS743	female screw UNC 4.40	Plastic bracket

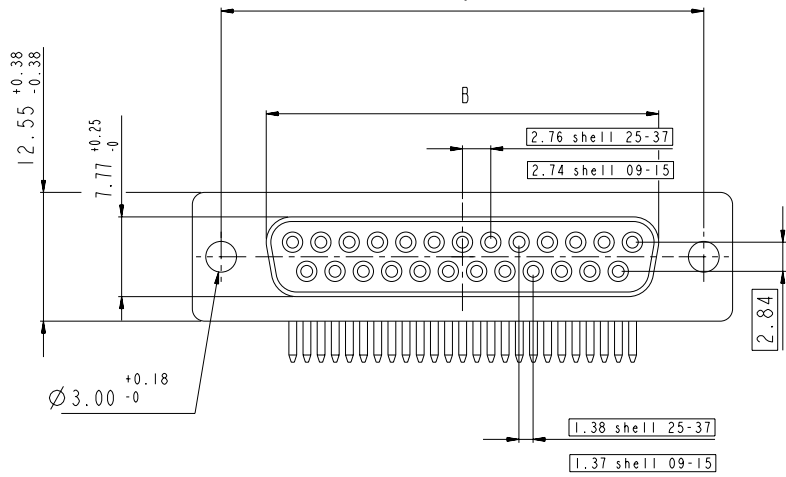
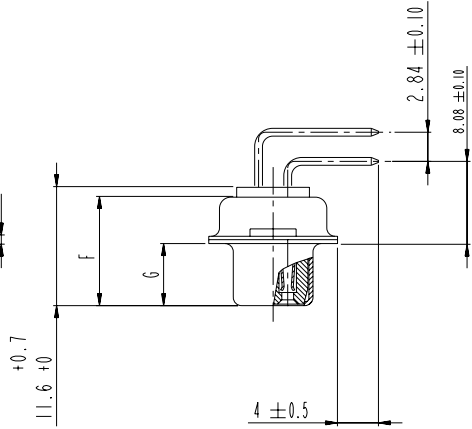
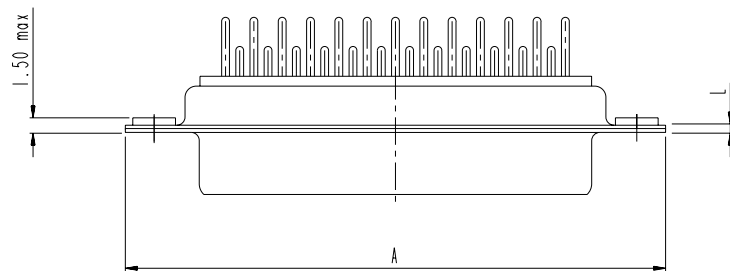
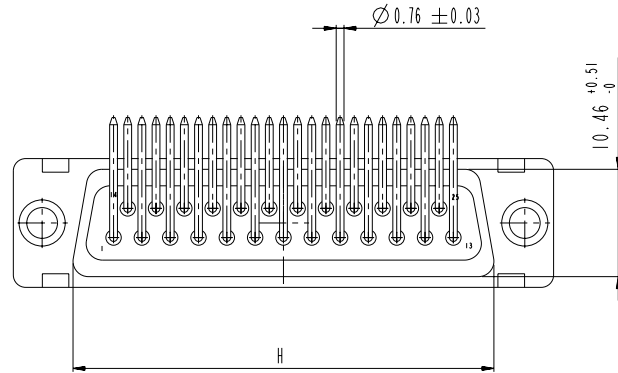
Copyright fci. 

www.fciconnect.com		surface ISO 1302	tolerance std ISO 406 ISO 1101 TOLERANCES UNLESS OTHERWISE SPECIFIED	projection 	mm
Dr	M PESSON	2006/11/14	ANGULAR	0.X ±0.3	size A2 Scale 2:1
Eng	P LEGARE	2006/11/14	LINEAR	0.xx ±0.1	ECN LS06-0214
Chr	P LEGARE	2006/11/14	0° ±2°	0.xxx ±0.05	Product family - Spec ref
Appr	P LEGARE	2006/11/14			
 SUB FEMALE DM		with RA contact us FOOT PRINT		aug no C01-8637-1758	Rev.
catalog no		CUSTOMER		sheet 3 of 9	

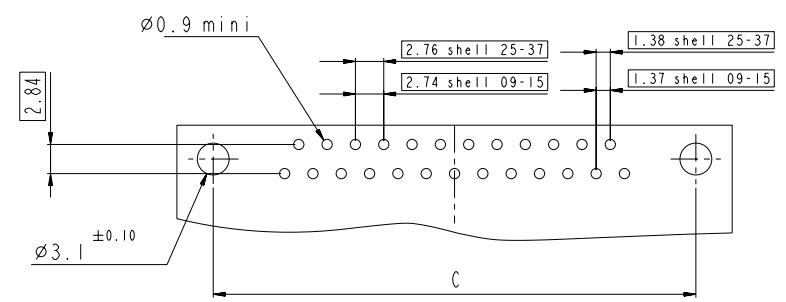
DIMENSION FOR SHELL E,A,B,C WITHOUT BRACKET

Dimensions are in millimeters

Shell size	Number of contacts	A ^{+0.76} ₋₀	B ^{+0.25} ₋₀	C ±0.12	F ^{+0.57} ₋₀	G ^{+0.25} ₋₀	H ^{+0.51} ₋₀
E	09	30.43	16.21	24.99	10.64	6.05	19.02
A	15	38.76	24.54	33.32	10.64	6.05	27.25
B	25	52.65	38.25	47.04	10.64	6.05	41.02
C	37	68.94	54.71	63.50	10.64	6.05	57.45



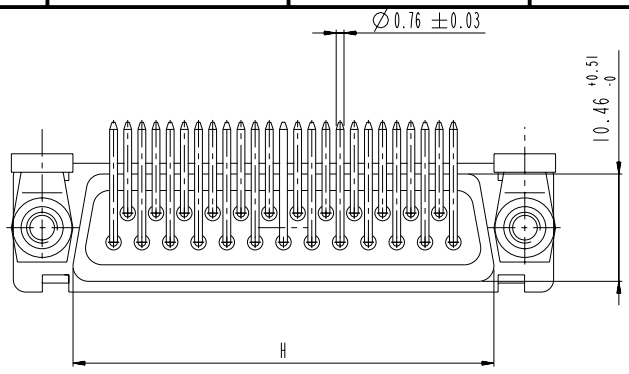
LAYOUT DIMENSIONS



SCALE: 3

www.fciconnect.com		surface - ISO 1302 ✓	tolerance std ISO 406 ISO 1101	projection mm
		TOLERANCES UNLESS OTHERWISE SPECIFIED		
Dr M PESSON	2006/11/14	ANGULAR	0.X ±0.3	size A2
Eng P LEGARE	2006/11/14	LINEAR	0.XX ±0.1	Scale 2:1
Chr P LEGARE	2006/11/14	0° ±2'	0.XXX ±0.05	ECN LS06-0214
Appr P LEGARE	2006/11/14	Product family	-	Spec ref
SUB FEMALE DM		ang no		Rev.
with RA contact us FOOT PRINT		C01-8637-1758		
catalog no		CUSTOMER		sheet 4 of 9

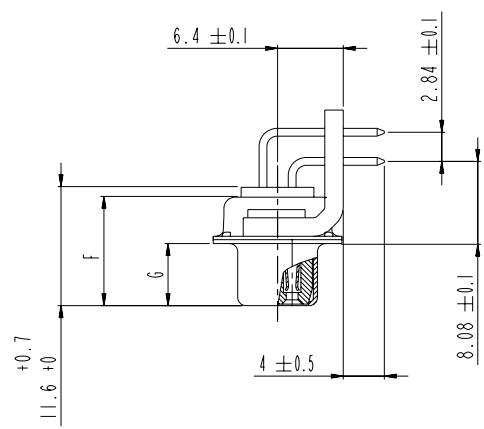
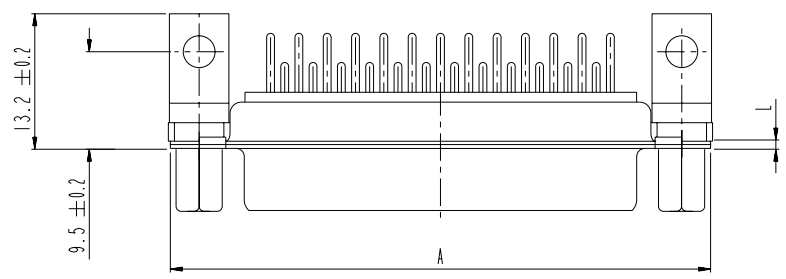
Copyright fci. FCI



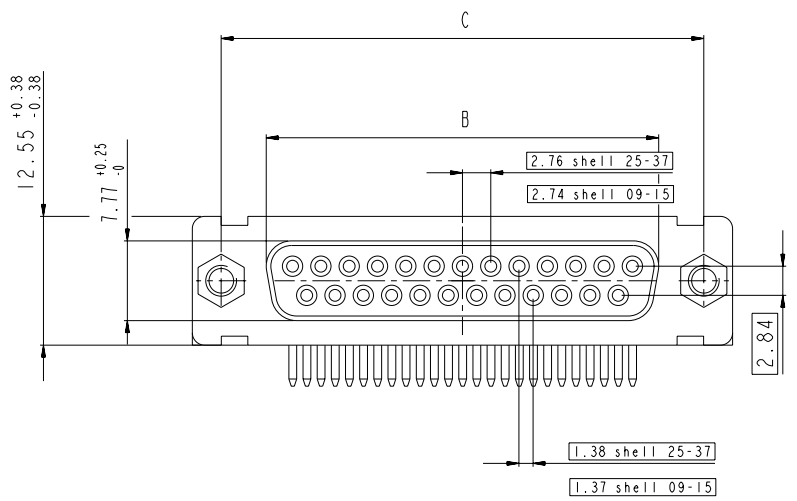
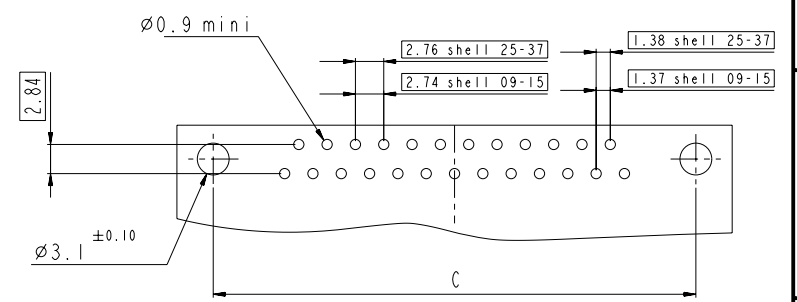
DIMENSION FOR SHELL E,A,B,C WITH METAL BRACKET

Dimensions are in millimeters

Shell size	Number of contacts	A ^{+0.76} / ₋₀	B ^{+0.25} / ₋₀	C ±0.12	F ^{+0.57} / ₋₀	G ^{+0.25} / ₋₀	H ^{+0.51} / ₋₀
E	09	30.43	16.21	24.99	10.64	6.05	19.02
A	15	38.76	24.54	33.32	10.64	6.05	27.25
B	25	52.65	38.25	47.04	10.64	6.05	41.02
C	37	68.94	54.71	63.50	10.64	6.05	57.45



LAYOUT DIMENSIONS



SCALE: 3

www.fciconnect.com		surface - ISO 1302 ✓	tolerance std ISO 406 ISO 1101	projection mm
		TOLERANCES UNLESS OTHERWISE SPECIFIED		
Dr M PESSON	2006/11/14	ANGULAR	0.X ±0.3	size A2 Scale 2:1
Eng P LEGARE	2006/11/14	LINEAR	0.XX ±0.1	ECN LS06-0214
Chr P LEGARE	2006/11/14	Ø ±2	0.XXX ±0.05	Spec ref
Appr P LEGARE	2006/11/14	Product family		
SUB FEMALE DM		Part no C01-8637-1758		Rev.
with RA contact us FOOT PRINT		Customer		sheet 5 of 9

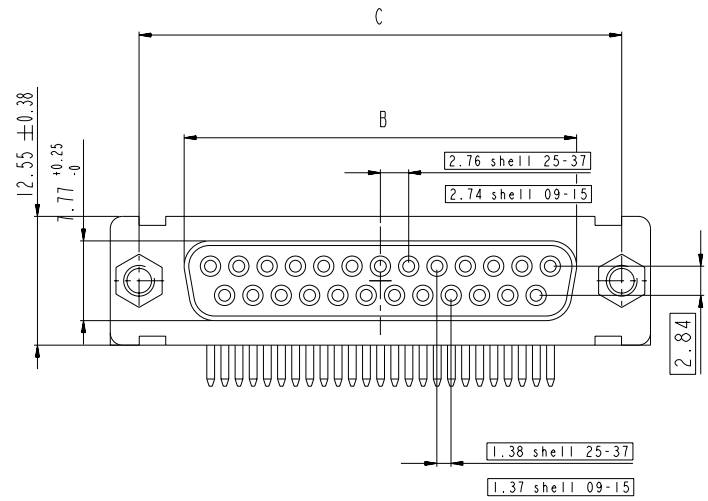
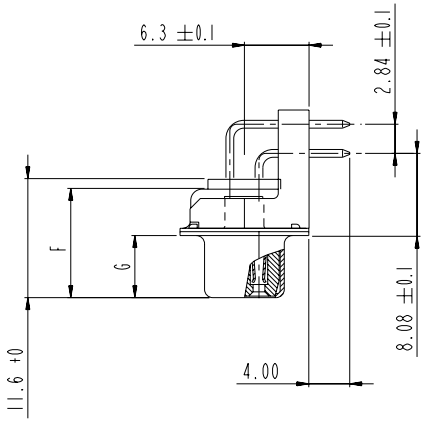
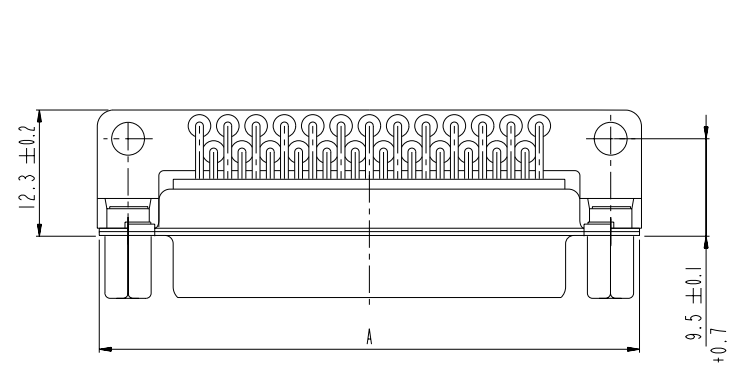
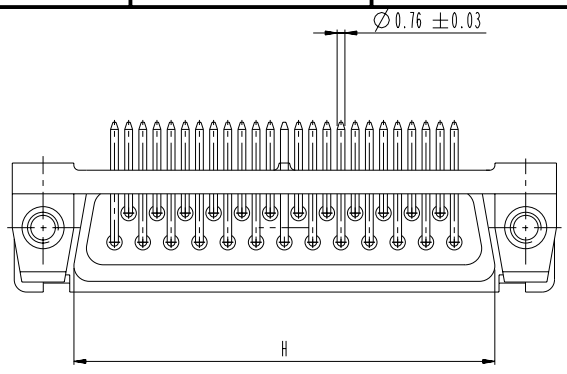
Copyright fci.

I 2 3 4 5 6 7 8

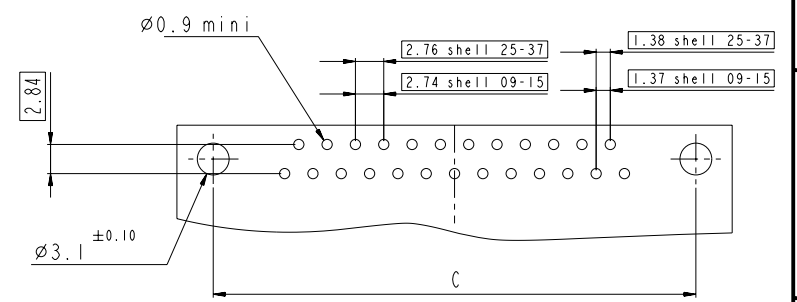
DIMENSION FOR SHELL E,A,B,C WITH PLASTIC BRACKET

Dimensions are in millimeters

Shell size	Number of contacts	A ^{+0.76} ₋₀	B ^{+0.25} ₋₀	C ±0.12	F ^{+0.57} ₋₀	G ^{+0.25} ₋₀	H ^{+0.51} ₋₀
E	09	30.43	16.21	24.99	10.64	6.05	19.02
A	15	38.76	24.54	33.32	10.64	6.05	27.25
B	25	52.65	38.25	47.04	10.64	6.05	41.02
C	37	68.94	54.71	63.50	10.64	6.05	57.45



LAYOUT DIMENSIONS



Copyright fci. FCI

www.fciconnect.com		surface -	tolerance std	projection	mm
		ISO 1302	ISO 406 ISO 1101		
		TOLERANCES UNLESS OTHERWISE SPECIFIED			
Dr	M PESSON	2006/11/14	ANGULAR	0.X ±0.3	size A2 Scale 2:1
Eng	P LEGARE	2006/11/14	LINEAR	0.xx ±0.1	
Chr	P LEGARE	2006/11/14	Ø ±2	0.xxx ±0.05	ECN LS06-0214
Appr	P LEGARE	2006/11/14	Product family	-	Spec ref
		SUB FEMALE DM		ang no	C01-8637-1758
		with RA contact us FOOT PRINT		Rev.	
catalog no		CUSTOMER		sheet 6 of 9	

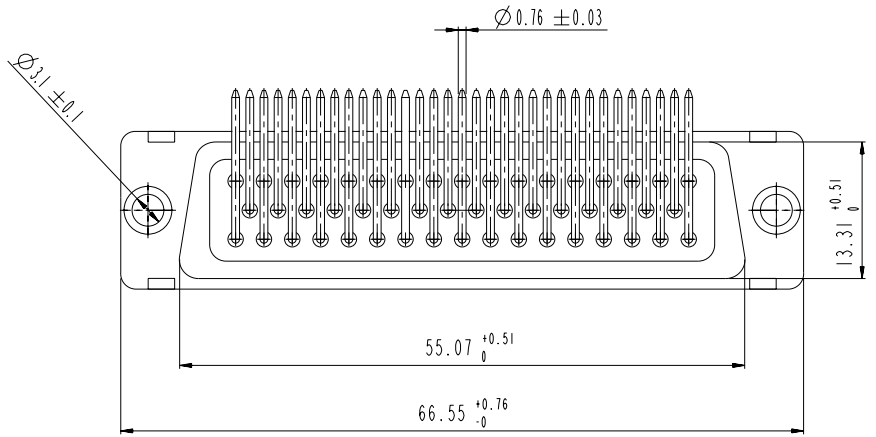
REV 7 - 2009-04-17

I 2 3 4 5 6 7 8

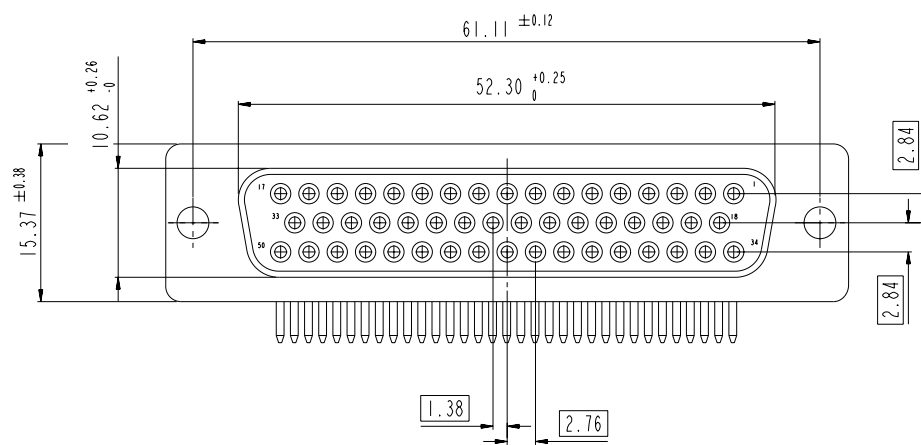
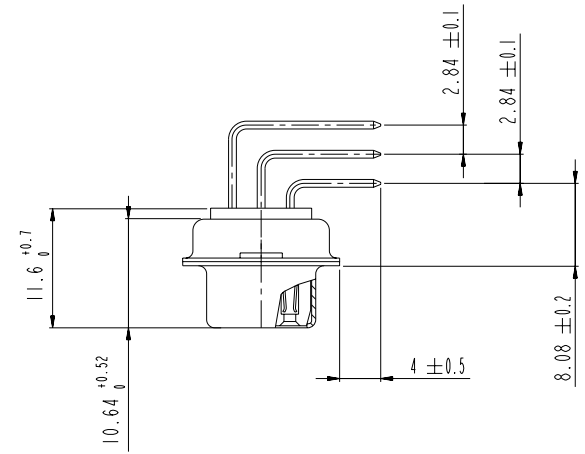
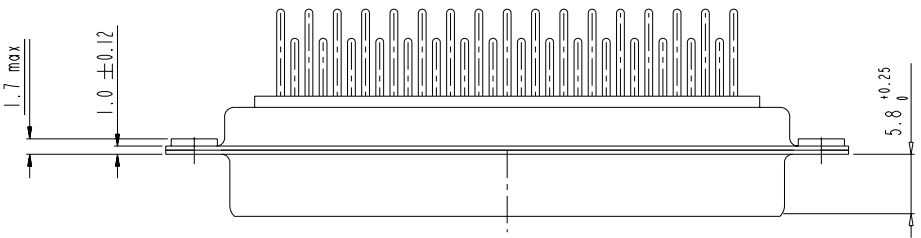
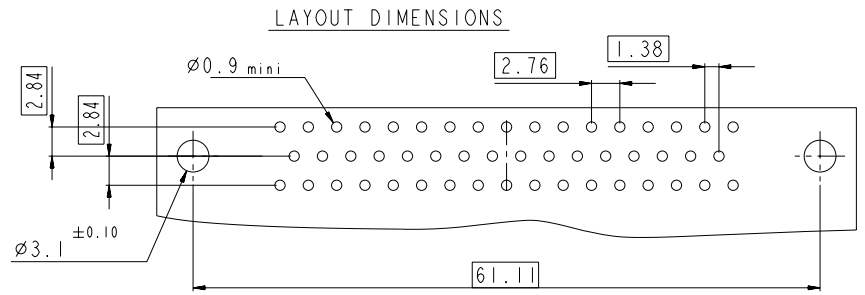
Copyright fci. **fci**

1 2 3 4 5 6 7 8

A
B
C
D
E
F



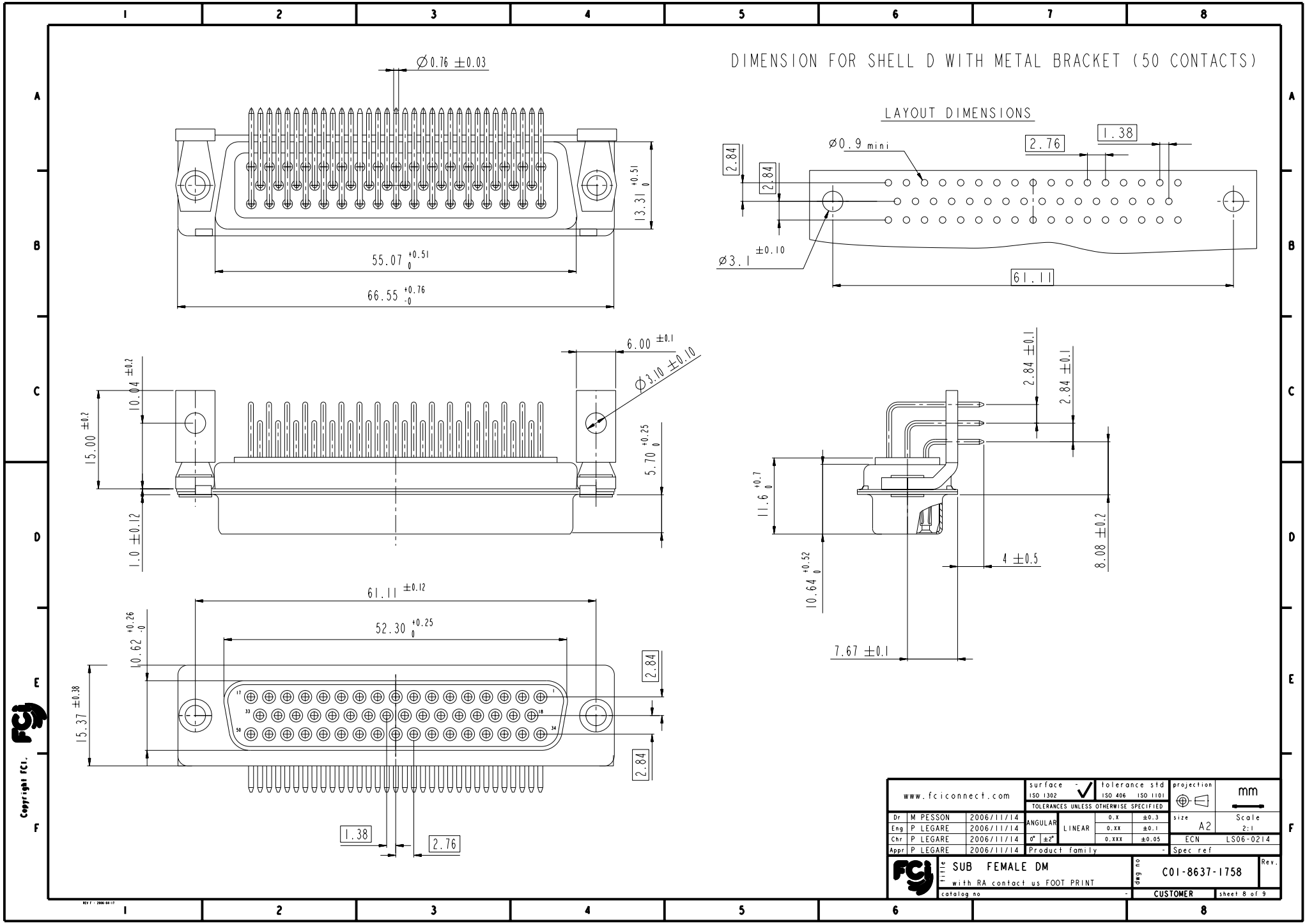
DIMENSION FOR SHELL D WITHOUT BRACKET (50 CONTACTS)



www.fciconnect.com		surface - ISO 1302 ✓	tolerance std ISO 406 ISO 1101	projection mm
		TOLERANCES UNLESS OTHERWISE SPECIFIED		
Dr M PESSON	2006/11/14	ANGULAR	0.X ± 0.3	size A2 Scale 2:1
Eng P LEGARE	2006/11/14	LINEAR	0.XX ± 0.1	ECN LS06-0214
Chr P LEGARE	2006/11/14	° ± 2'	0.XXX ± 0.05	Spec ref
Appr P LEGARE	2006/11/14	Product family		
fci SUB FEMALE DM		with RA contact us FOOT PRINT		Rev. C01-8637-1758
catalog no		CUSTOMER		sheet 7 of 9

REV 7 - 2006-04-17

1 2 3 4 5 6 7 8

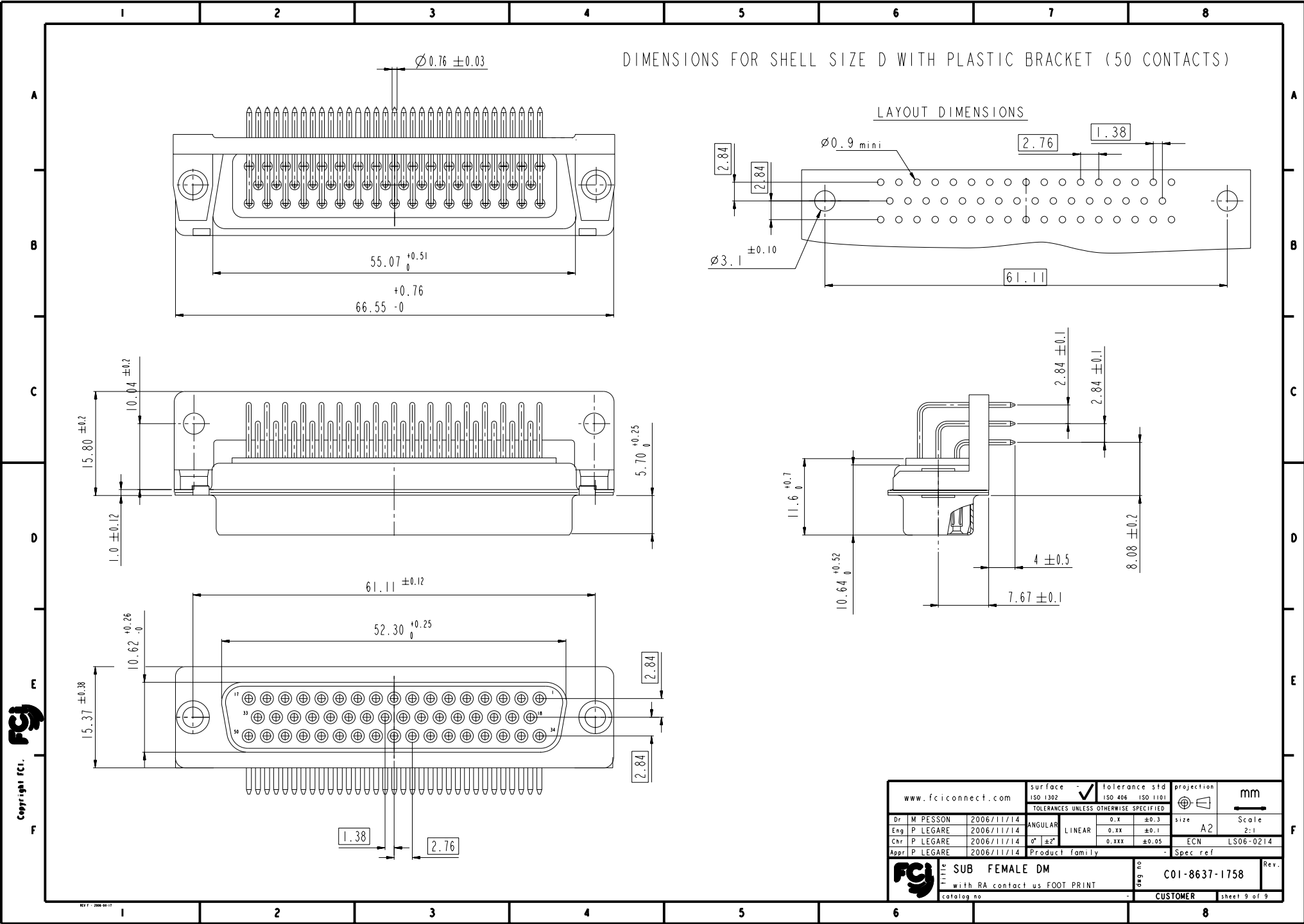


DIMENSION FOR SHELL D WITH METAL BRACKET (50 CONTACTS)

LAYOUT DIMENSIONS

Copyright fci.

www.fciconnect.com		surface - ISO 1302	tolerance std ISO 406 ISO 1101	projection mm
		TOLERANCES UNLESS OTHERWISE SPECIFIED		
Dr M PESSON	2006/11/14	ANGULAR	0.X ±0.3	size A2 Scale 2:1
Eng P LEGARE	2006/11/14	LINEAR	0.XX ±0.1	ECN LS06-0214
Chr P LEGARE	2006/11/14	0° ±2°	0.XXX ±0.05	Spec ref
Appr P LEGARE	2006/11/14	Product family		
SUB FEMALE DM		ang no C01-8637-1758		Rev.
with RA contact us FOOT PRINT		CUSTOMER		sheet 8 of 9
catalog no				



Copyright fci. **fci**

www.fciconnect.com		surface - ISO 1302 ✓	tolerance std ISO 406 ISO 1101	projection mm
		TOLERANCES UNLESS OTHERWISE SPECIFIED		
Dr	M PESSON	2006/11/14	ANGULAR	0.x ±0.3
Eng	P LEGARE	2006/11/14	LINEAR	0.xx ±0.1
Chr	P LEGARE	2006/11/14	0° ±2'	0.xxx ±0.05
Appr	P LEGARE	2006/11/14	Product family	Spec ref
fci SUB FEMALE DM		with RA contact us FOOT PRINT		Proj no C01-8637-1758
catalog no		CUSTOMER		sheet 9 of 9