

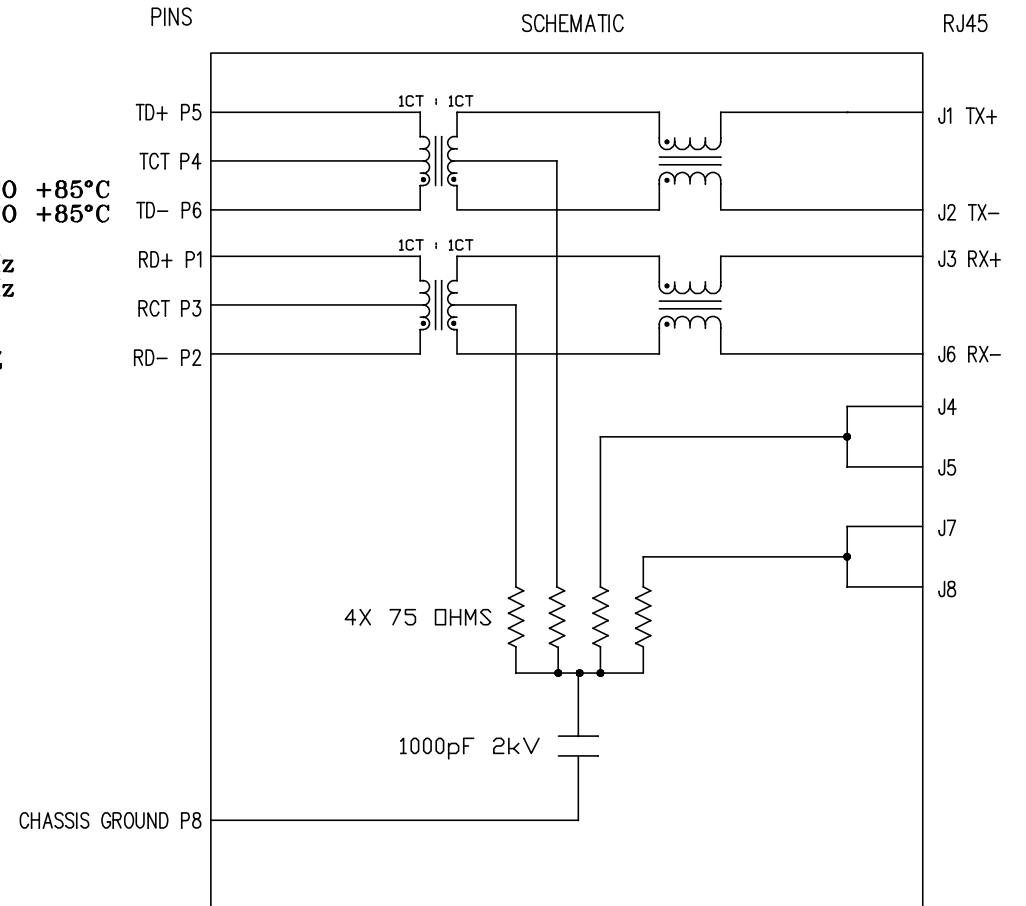
THE INFORMATION CONTAINED HEREIN IS CONSIDERED "PROPRIETARY" TO BEL FUSE INC. AND SHALL NOT BE COPIED, REPRODUCED OR DISCLOSED WITHOUT THE WRITTEN APPROVAL OF BEL FUSE INC.

PRELIMINARY



**ELECTRICAL CHARACTERISTICS @ 25°C**

- OPERATING TEMPERATURE RANGE: : -40°C TO +85°C
- 1.0 TURNS RATIO: (P2-P3-P1) : (J6-J3) : 1CT : 1CT± 3%  
(P6-P4-P5) : (J2-J1) : 1CT : 1CT ± 3%
- 2.0 INDUCTANCE: (P6-P5) : 350uH MIN. @ 0.1V, 100KHz, 8mA DC Bias, -40°C TO +85°C  
(P2-P1) : 350uH MIN. @ 0.1V, 100KHz, 8mA DC Bias, -40°C TO +85°C
- 3.0 LEAKAGE INDUCTANCE: P2-P1 (WITH J6 AND J3 SHORT) : 0.3uH MAX. @ 1MHz  
P6-P5 (WITH J2 AND J1 SHORT) : 0.3uH MAX. @ 1MHz
- 4.0 INTERWINDING CAPACITANCE: (P6,P5,P4) TO (J2,J1) : 30pF MAX @ 1MHz  
(P3,P2,P1) TO (J3,J6) : 30pF MAX. @ 1MHz
- 5.0 DC RESISTANCE (J6-J3)=(J2-J1) : 1.2 ohms Max.
- 6.0 RETURN LOSS: 1MHz TO 30MHz : 18dB MIN.  
60MHz TO 80MHz : 12dB MIN.  
NOTE: 100 OHMS CONNECTED TO (J2-J1) OR (J6-J3).
- 7.0 DIELECTRIC WITHSTAND: (J1, J2) TO (P1, P3) : 1500 Vrms  
(J3, J6) TO (P4,P6) : 1500 Vrms
- 8.0 INSERTION LOSSRS=RL=100 ohms  
100KHz TO 100MHz : 1.1 dB TYP
- 9.0 RISE TIMERS=100 OHMS AND RL = 100 OHMS  
OUTPUT VOLTAGE = 1 V peak : 3.0 nS MAX  
PULSE WIDTH= 112nS : 3.0 nS MAX
- 10.0CROSS TALK:1MHz TO 100MHz : 40 dB TYP
- 11.0COMMON TO COMMON MODE ATTENUATION:1MHz TO 100MHz: 35dB TYP



NOTES:  
1.0 PINS WITHOUT ELECTRICAL CONNECTION ARE OMITTED.

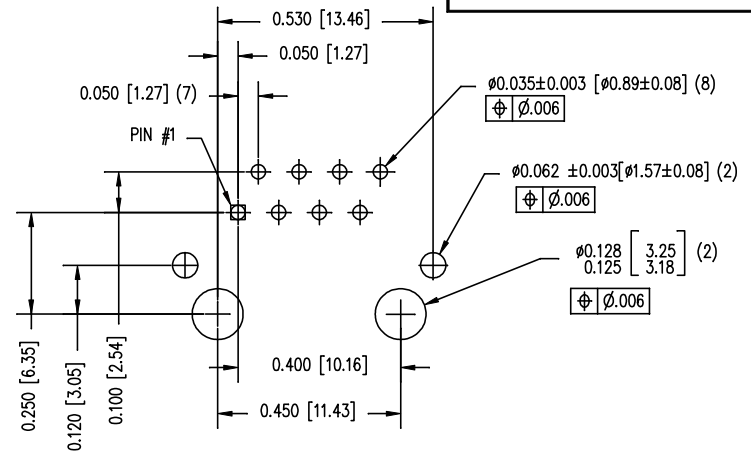
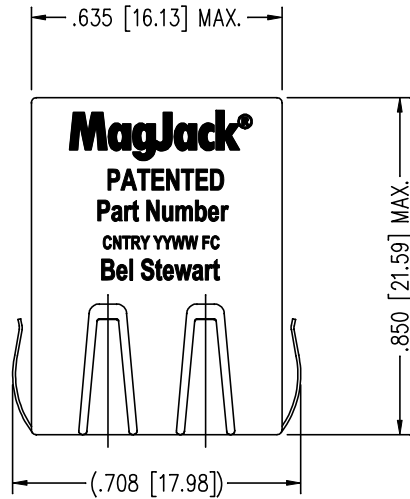
ORIGINATED BY	DATE	TITLE	PART NO. / DRAWING NO.	STANDARD DIM.	[ ] METRIC DIM. AS REFERENCE		 COMPONENTS FOR A CONNECTED PLANET
ZL WANG	11-03-09	<b>MagJack®</b> 10/100BT TAB DOWN, SHIELDED PATENTED	SI-60228-F	TOL. IN INCH	UNIT : INCH [mm]	REV. : X1	
DRAWN BY	DATE		FILE NAME	.X	SCALE : N/A	SIZE : A4	
RS ZHANG	11-03-09		SI-60228-F.DWG	.XX		PAGE : 2	
				.XXX	±0.005		

THE INFORMATION CONTAINED HEREIN IS CONSIDERED "PROPRIETARY" TO BEL FUSE INC. AND SHALL NOT BE COPIED, REPRODUCED OR DISCLOSED WITHOUT THE WRITTEN APPROVAL OF BEL FUSE INC.

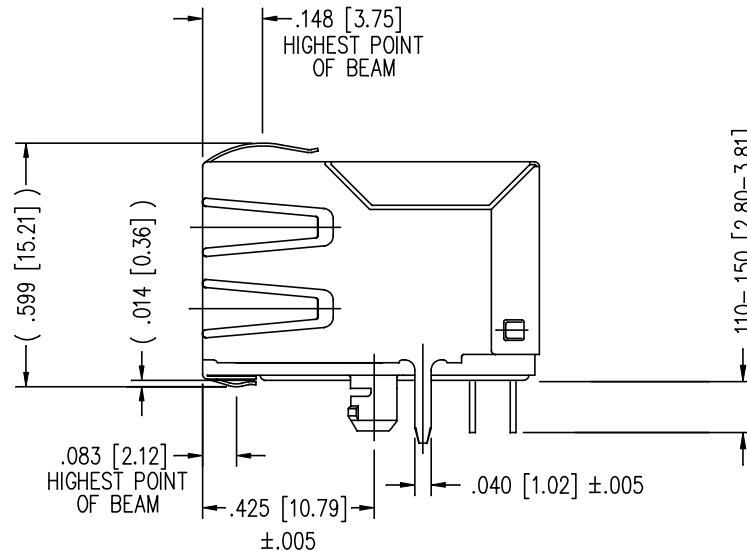
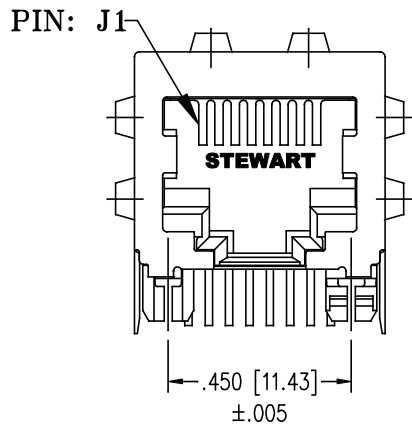
RoHS  
2002/95/EC



PRELIMINARY



P.C.B. RECOMMENDED HOLE LAYOUT  
SEEN FROM COMPONENT SIDE  
ALL CENTERLINE DIMENSIONS ARE BASIC



NOTES:

- CONNECTOR MATERIALS:  
HOUSING: THERMOPLASTIC UL94 V-0  
CONTACT/SHIELD: COPPER ALLOY  
SHIELD PLATING: NICKEL OR TIN  
CONTACT PLATING: SELECTIVE GOLD,  
50 MICRO-INCHES MIN. IN CONTACT AREA.
- PIN NOT ELECTRICALLY CONNECTED MAYBE OMITTED.  
SEE ELECTRICAL DRAWING FOR OMITTED PINS.
- TOLERANCES COMPLY WITH F.C.C. DIMENSION REQUIREMENTS.
- ALL TOLERANCES NOT OTHERWISE SPECIFIED TO BE ±.005 [0.13]
- WAVE SOLDER COMPATIBLE - PREHEAT 125°C/90SECS.

ORIGINATED BY	DATE
ZL WANG	11-03-09
DRAWN BY	DATE
RS ZHANG	11-03-09

TITLE	<b>MagJack®</b> 10/100BT TAB DOWN, SHIELDED PATENTED
-------	---

PART NO. / DRAWING NO.	SI-60228-F
FILE NAME	SI-60228-F.DWG

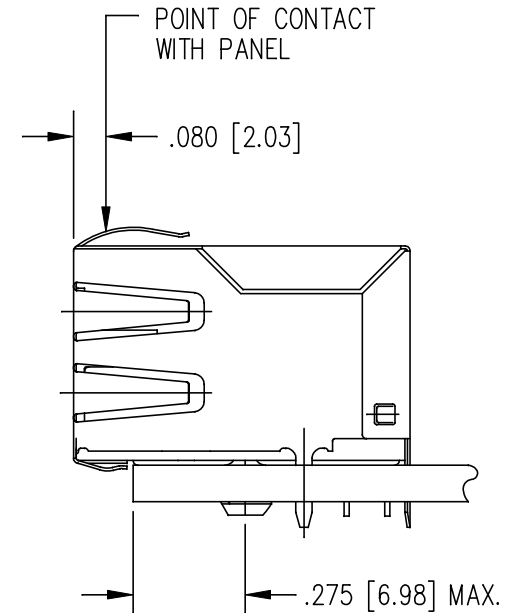
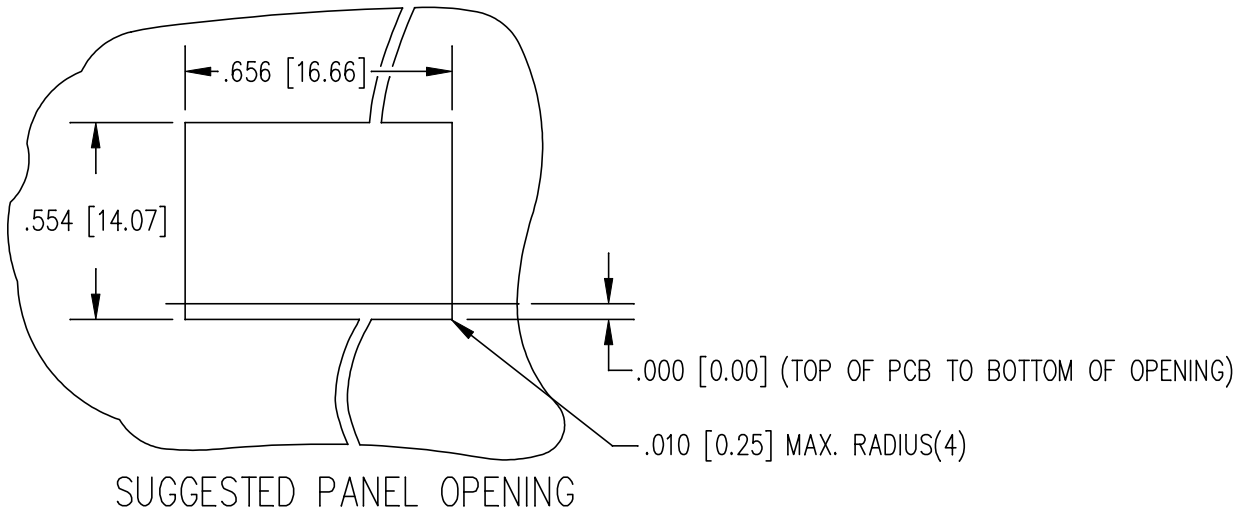
STANDARD DIM.	[ ] METRIC DIM. AS REFERENCE
TOL. IN INCH	UNIT : INCH [mm]
.X	REV. : X1
.XX	SCALE : N/A
.XXX	SIZE : A4
±0.005	PAGE : 3

[ ] METRIC DIM. AS REFERENCE	UNIT : INCH [mm]	REV. : X1
SCALE : N/A	SIZE : A4	
PAGE : 3		



THE INFORMATION CONTAINED HEREIN IS CONSIDERED "PROPRIETARY" TO BEL FUSE INC. AND SHALL NOT BE COPIED, REPRODUCED OR DISCLOSED WITHOUT THE WRITTEN APPROVAL OF BEL FUSE INC.

PRELIMINARY



1. THE SUGGESTED PANEL OPENING IS INTENDED TO GIVE THE USER THE ABILITY TO HAVE REASONABLE JACK / PANEL CLEARANCES YET MAINTAIN RELIABLE GROUNDING CAPABILITY.
2. ALL TOLERANCES NOT OTHERWISE SPECIFIED TO BE  $\pm 0.005$  [0.13]

ORIGINATED BY <b>ZL WANG</b>	DATE <b>11-03-09</b>	TITLE <b>MagJack® 10/100BT TAB DOWN, SHIELDED PATENTED</b>	PART NO. / DRAWING NO. <b>SI-60228-F</b>	STANDARD DIM. TOL. IN INCH	[ ] METRIC DIM. AS REFERENCE	 COMPONENTS FOR A CONNECTED PLANET
DRAWN BY <b>RS ZHANG</b>	DATE <b>11-03-09</b>	FILE NAME <b>SI-60228-F.DWG</b>	.X	UNIT : INCH [mm]	REV. : X1	
			.XX	SCALE : N/A	SIZE : A4	
			.XXX	$\pm 0.005$	PAGE : 4	