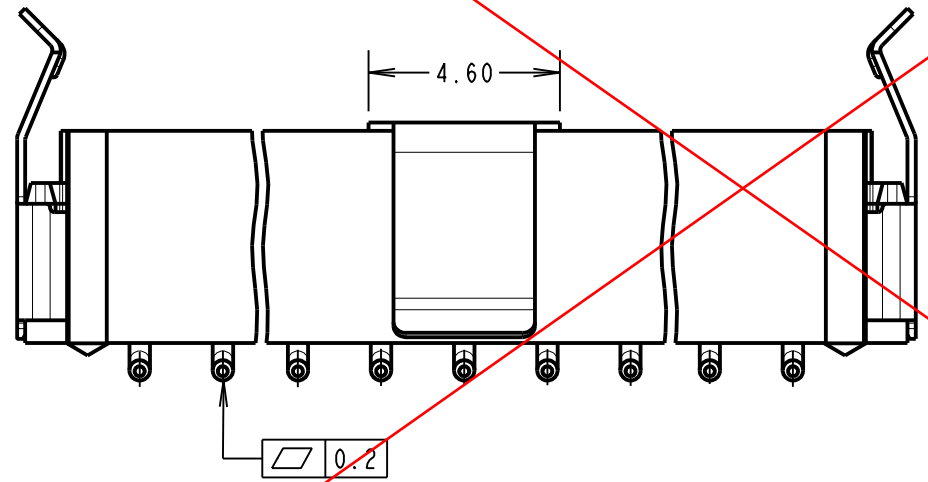
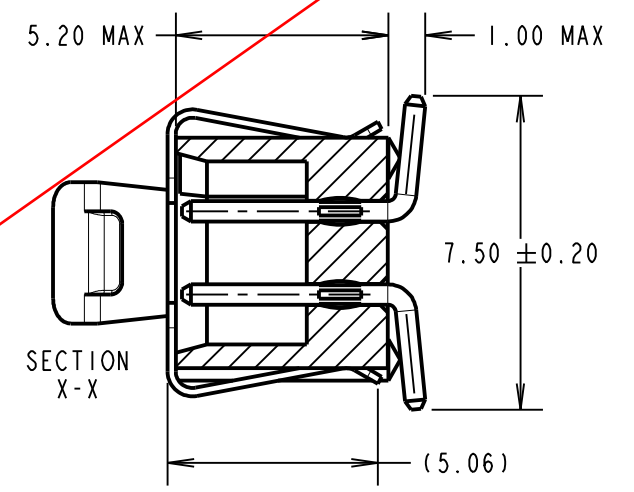
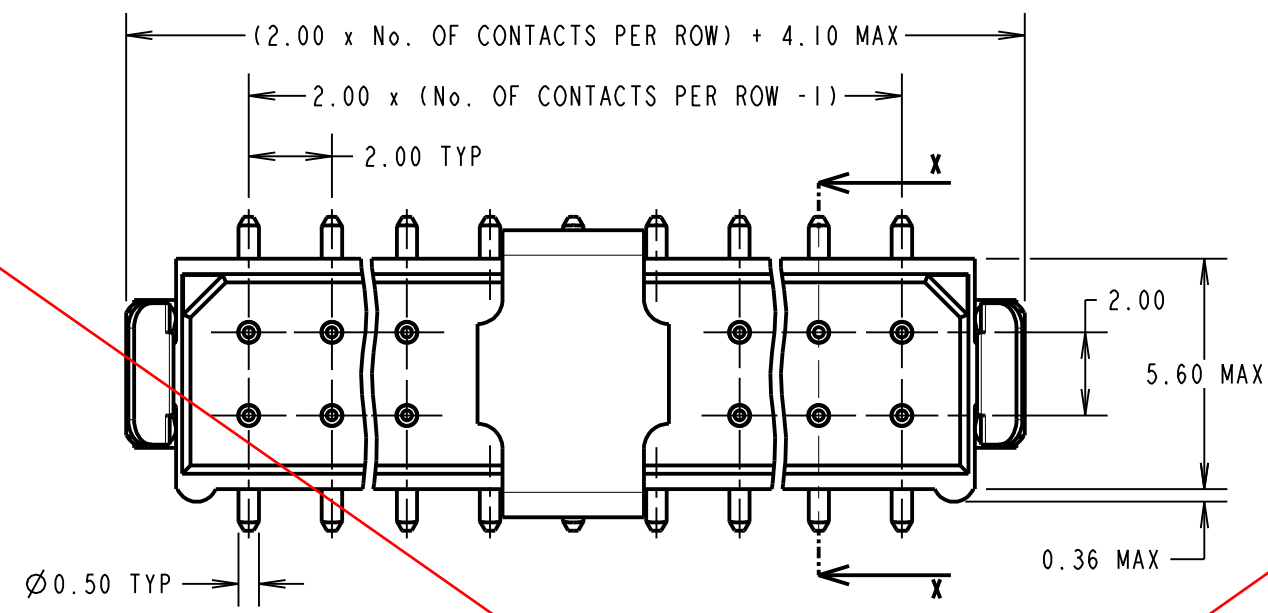


Customer Information Sheet

DRAWING No.: M80-827XXXXP SHEET 2 OF 2 IF IN DOUBT - ASK (C) NOT TO SCALE THIRD ANGLE PROJECTION ALL DIMENSIONS IN mm

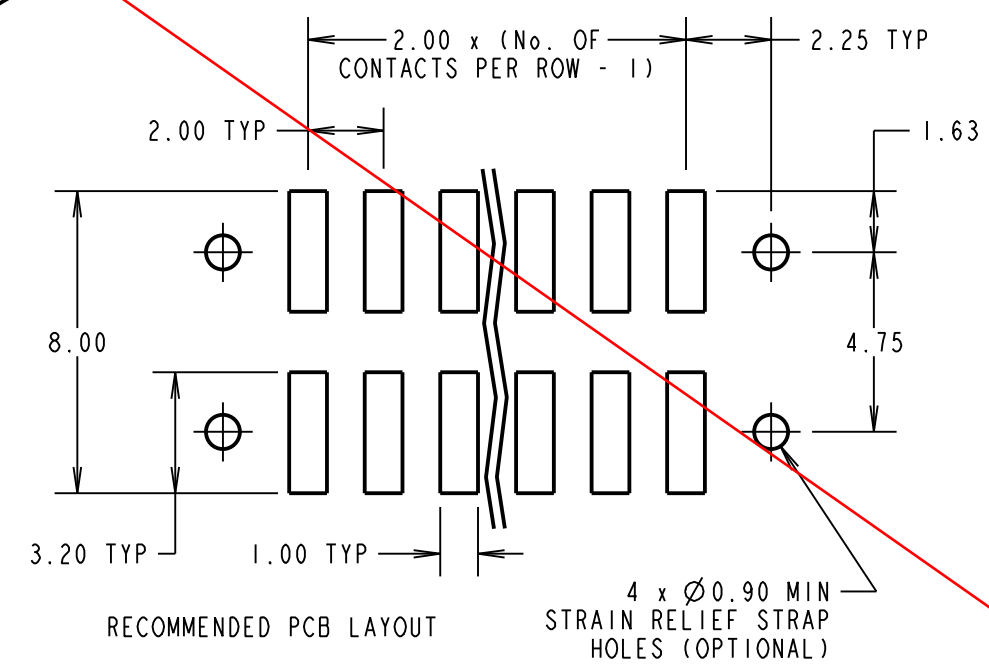
ORDER CODE:
M80-827XXXXP
 TOTAL No. OF CONTACTS:
 04, 06, 08, 10, 12, 14
 16, 18, 20, 26, 34
 FINISH:
 22 - SELECTIVE GOLD + TIN/LEAD
 42 - SELECTIVE GOLD + 100% TIN
 45 - GOLD

OBSOLETE



NOTES:
 1. 2-OFF STRAIN RELIEF STRAPS
 M80-0030006 MAY BE USED WITH
 THIS CONNECTOR.

SPECIFICATIONS:
 MATERIAL:
 MOULDING = G-F PPS UL94V-0, BLACK
 CONTACTS = PHOSPHOR BRONZE
 LATCHES - BERYLLIUM COPPER
 PICK/PLACE CAP = PHOSPHOR BRONZE
 FINISH:
 CONTACTS:
 22 = 0.75µ GOLD ON CONTACT AREA,
 3.0µ 90/10 TIN/LEAD ON TAILS
 42 = 0.75µ GOLD ON CONTACT AREA,
 3.0µ 100% TIN OVER NICKEL ON TAILS
 45 = 0.75µ GOLD ALL OVER
 LATCH = 1.25µ NICKEL
 ELECTRICAL:
 CURRENT RATING AT 25°C = 3.0A MAX
 CURRENT RATING AT 85°C = 2.2A MAX
 WORKING VOLTAGE = 800V AC/DC
 VOLTAGE PROOF = 1200V AC/DC
 CONTACT RESISTANCE (INITIAL) = 20mΩ MAX
 CONTACT RESISTANCE (AFTER CONDITIONING) = 25mΩ MAX
 INSULATION RESISTANCE (INITIAL) = 1,000MΩ MIN
 INSULATION RESISTANCE (AFTER CONDITIONING) = 100MΩ MIN
 MECHANICAL:
 DURABILITY = 500 OPERATIONS
 ENVIRONMENTAL:
 TEMPERATURE RANGE = -55°C TO +125°C
 PACKING:
 TUBE
 FOR COMPLETE SPECIFICATION, SEE COMPONENT
 SPECIFICATION C005XX (LATEST ISSUE)



MSP	9	21.12.15	12814
NAME	ISS.	DATE	C/NOTE
APPROVED:		M.PERREN	
CHECKED:		S.BENNETT	
DRAWN:		J. EVANS	
CUSTOMER REF.:			
ASSEMBLY DRG:			

<p>www.harwin.com technical@harwin.com</p>	<p>THIS DRAWING AND ANY INFORMATION OR DESCRIPTIVE MATTER SET OUT HEREON ARE CONFIDENTIAL AND COPYRIGHT PROPERTY OF THE HARWIN GROUP AND MUST NOT BE DISCLOSED, LOANED, COPIED OR USED FOR MANUFACTURING, TENDERING OR FOR ANY OTHER PURPOSE WITHOUT THEIR WRITTEN PERMISSION.</p>	<p>TOLERANCES X. = ±1mm X.X = ±0.50mm X.XX = ±0.10mm X.XXX = ±0.01mm ANGLES = ±5° UNLESS STATED</p>	MATERIAL: SEE ABOVE	TITLE: DATAMATE L-TEK MALE DIL VERTICAL SMT ASSY. FRICTION LATCH, P/PLACE
			FINISH: SEE ABOVE S/AREA: mm ²	DRAWING NUMBER: M80-827XXXXP