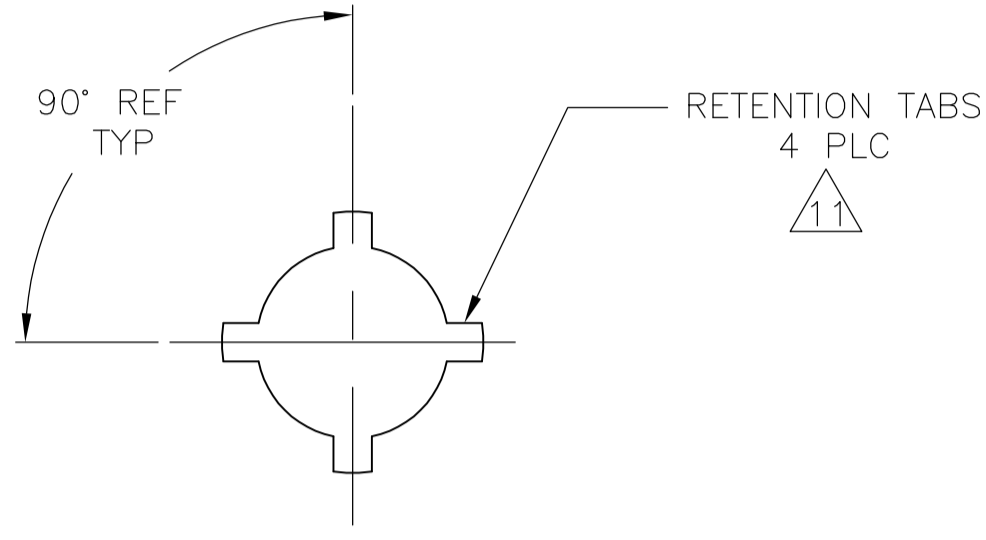


THIS DRAWING IS A CONTROLLED DOCUMENT.		DIN RAGHAVENDRA 02FEB11	TE Connectivity
DIMENSIONS: mm [INCHES]		CHK MACE SAMUEL 02FEB11	
TOLERANCES UNLESS OTHERWISE SPECIFIED:		APVD MACE SAMUEL 02FEB11	NAME
0 PLC	± -	PRODUCT SPEC	MTA156 HDR ASSY POL W/O#1
1 PLC	± -	APPLICATION SPEC	SIZE CAGE CODE DRAWING NO
2 PLC	± 0.13 [0.005]	WEIGHT	A1 00779 C=1744397
3 PLC	± -	CUSTOMER DRAWING	SCALE 8:1 SHEET 1 OF 2 REV A1
4 PLC	± -		
ANGLES	± -		
MATERIAL	FINISH		

LOC	DIST	REVISIONS			
P	LTR	DESCRIPTION	DATE	DN	APVD
CM	00	SEE SHEET 1	-	-	-



VIEW A-A
SCALE 10:1

- △1 MATERIAL:
HOUSING: THERMOPLASTIC POLYESTER, GLASS FILLED, UL94V-0.
POST: COPPER ALLOY
- △2 FINISH
HOUSING: NATURAL
POST: MATTE TIN PLATE 0.00380[.000150]MIN
OVER NICKEL UNDERPLATE 0.0013[.000050]
MIN THICK.
- △3 ALL POSITION SIZES HAVE THE BACKWALL NOTCHED ON BOTH ENDS AS SHOWN. THE 2 AND 5 POSITION SIZES HAVE SOLID BACKWALLS. POSITION SIZES 6 AND ABOVE HAVE AN INTERRUPTED BACKWALL AT VARIOUS LOCATIONS. (SEE TABLE FOR INTERRUPTION(S) LOCATIONS).
- △4 POST SOLDER TAILS COMPLY WITH AMP SOLDERABILITY SPEC 109-11-2.
- △5 POST WITHSTANDS 13.34N (3 LB) MIN AXIAL FORCE IN EITHER DIRECTION WITHOUT DISLODGING.
- △6 APPLIES AT [-A-].
- △7 APPLIES WHEN THE HEADER IS STRAIGHT.
- △8 PLASTIC PROJECTIONS PERMITTED IN THIS ZONE.
- △9 COORDINATE DIMENSIONS APPLIES FROM THE CENTER OF THE ACTUAL FEATURE.
- △10 SOLDER SIDE OF BOARD IS SHOWN.
- △11 THE RETENTION TABS PROVIDE A ONE-TIME INTERFERENCE FIT IN THE 1.63[.064] DIAMETER BOARD HOLE FOR HEADER ASSEMBLY RETENTION DURING SOLDERING. FOUR TABS PER PEG, TWO PEGS PER HEADER ASSEMBLY (ONE PEG ONLY FOR 2 POSITION SIZE).
- △12 UL MARKING MAY NOT APPEAR ON THE 2 OR 3 POSITION SIZES. CSA MARKING MAY NOT APPEAR ON THE 2 POSITION SIZE.
- △13 POST NO. 1 OMITTED.
- 14 DIMENSIONS IN BRACKETS ARE IN INCHES
- △15 EDGE OF POLARIZING LOCK WALL TO BE IN LINE WITH CENTERLINE OF ADJACENT POST WITHIN ±0.13[.005].
- △16 NOTCH SHOWN MAY OR MAY NOT APPEAR.

TIN	19.69[.775]	5	1744397-5
TIN	11.76[.463]	3	1744397-3
FINISH	L	NO OF POSITIONS	PART NO

METRIC

THIS DRAWING IS A CONTROLLED DOCUMENT.

DIMENSIONS: mm [INCHES]	TOLERANCES UNLESS OTHERWISE SPECIFIED: 0 PLC ± - 1 PLC ± - 2 PLC ± 0.13[.005] 3 PLC ± - 4 PLC ± - ANGLES ± -	DIN RAGHAVENDRA 02FEB11 CHK MACE SAMUEL 02FEB11 APVD MACE SAMUEL 02FEB11 NAME	STE TE Connectivity
		PRODUCT SPEC	MTA156 HDR ASSY POL W/O#1
MATERIAL △1		APPLICATION SPEC	RESTRICTED TO
FINISH △2		SIZE A1	WEIGHT -
CUSTOMER DRAWING		SCALE 1:1	SHEET 2 OF 2 REV A1