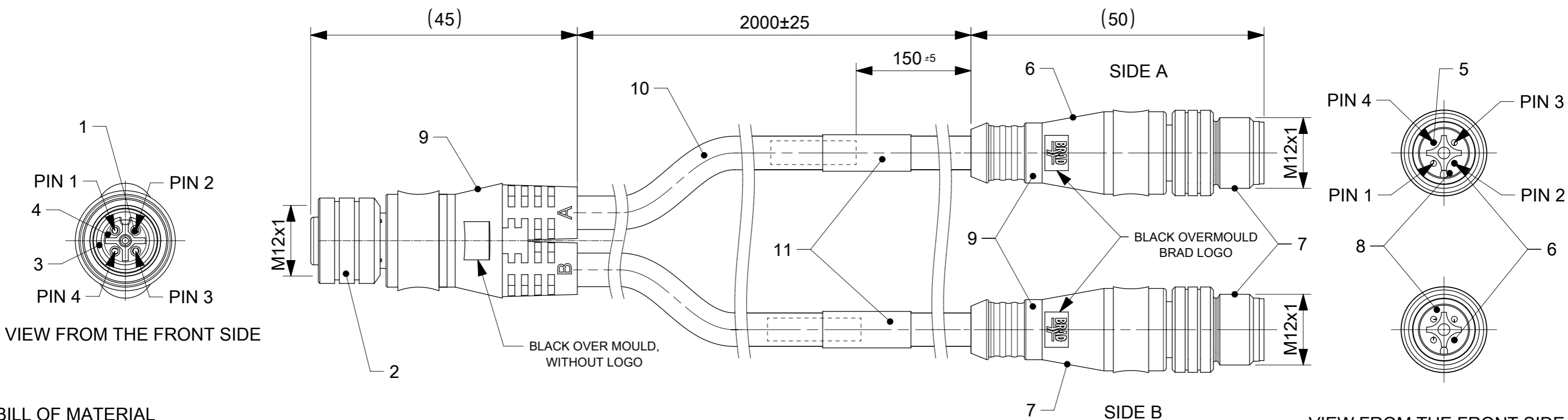
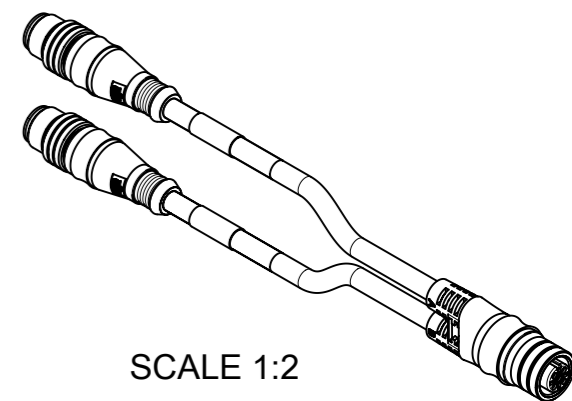
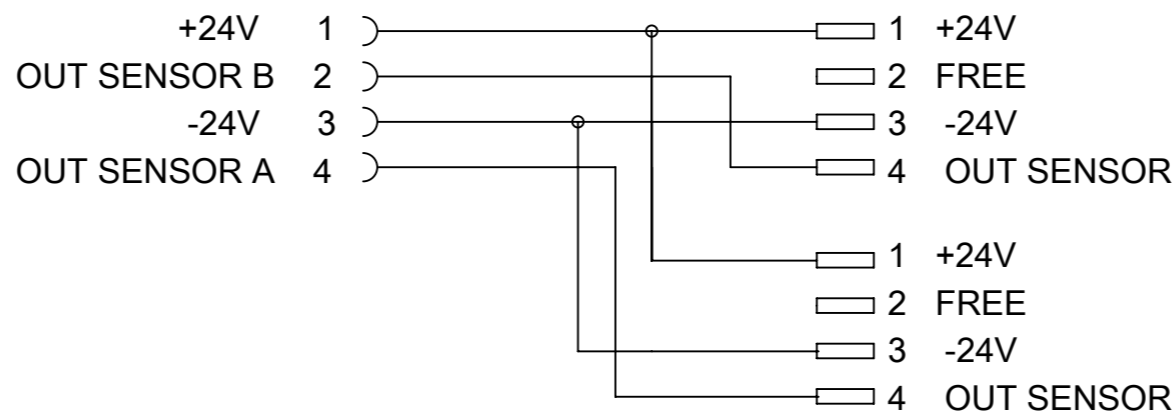


CONNECTOR SPECIFICATION :
 ELECTRICAL DATA:
 VOLTAGE RATING: 250V AC/DC
 AMPERAGE RATING: 4A

ENVIRONMENTAL:
 PROTECTION: IP67

CABLE SPECIFICATION:
 CROSS SECTION : 3x0.34mm²
 OPERATING CURRENT : 300V
 TEST VOLTAGE : >=2000
 RESISTANCE : MAX. 30 Ohm/km at 20°C
 OPERATING TEMPERATURE : FIXED : -50°C TO 80°C
 DYNAMIC : -25°C TO 80°C

CIRCUIT DIAGRAM



BILL OF MATERIAL

| ITEM | QTY. | DESCRIPTION | MATERIAL | COLOR/FINISH |
|------|------|-------------------------|----------|---------------------|
| 1 | 4 | CONTACT FEMALE | BRASS | GOLD OVER Ni-PLATED |
| 2 | 1 | COUPLING NUT M12 FEMALE | BRASS | BLACK/Ni-PLATED |
| 3 | 1 | GASKET OR | FPM | RED |
| 4 | 1 | INSERT M12 FEMALE | TPU | BLACK |
| 5 | 6 | CONTACT MALE | BRASS | GOLD OVER Ni-PLATED |
| 6 | 2 | CONTACT MALE | BRASS | Ni-PLATED |
| 7 | 2 | COUPLING NUT M12 MALE | BRASS | BLACK/Ni-PLATED |
| 8 | 2 | INSERT M12 MALE | PUR | BLACK |
| 9 | - | MOULDING MATERIAL | TPU | BLACK |
| 10 | - | CABLE | PUR | BLACK |
| 11 | 2 | LABEL | TPU | HALOGEN FREE |

| | | | | | |
|-----------------------------|---|---|---|--------------------------|----------------------|
| SYMBOLS | THIS DRAWING CONTAINS INFORMATION THAT IS PROPRIETARY TO MOLEX ELECTRONIC TECHNOLOGIES, LLC AND SHOULD NOT BE USED WITHOUT WRITTEN PERMISSION | CURRENT REV DESC: | | molex | |
| | DIMENSION UNITS: mm SCALE: 3:2 GENERAL TOLERANCES (UNLESS SPECIFIED): ANGULAR TOL ± 1.0° 4 PLACES ± 3 PLACES ± 2 PLACES ± 0.05 1 PLACE ± 0.3 0 PLACES ± 0.5 DRAFT WHERE APPLICABLE MUST REMAIN WITHIN DIMENSIONS | EC NO: 614636 DRWN: SSM 2018/03/28 CHK'D: RSILLER 2019/04/03 APPR: RSILLER 2019/04/03 INITIAL REVISION: DRWN: SSM 2018/12/05 APPR: RSILLER 2018/12/06 | M12ILS 4P FE 4P STR/STR 90 2M PRODUCT CUSTOMER DRAWING | | |
| DOCUMENT NUMBER: 1200685109 | | | DOC TYPE: PSD | DOC PART: 000 | REVISION: A1 |
| DRAWING: A3-SIZE | | SERIES: 120068 | MATERIAL NUMBER: 1200685109 | CUSTOMER: GENERAL MARKET | SHEET NUMBER: 1 OF 1 |