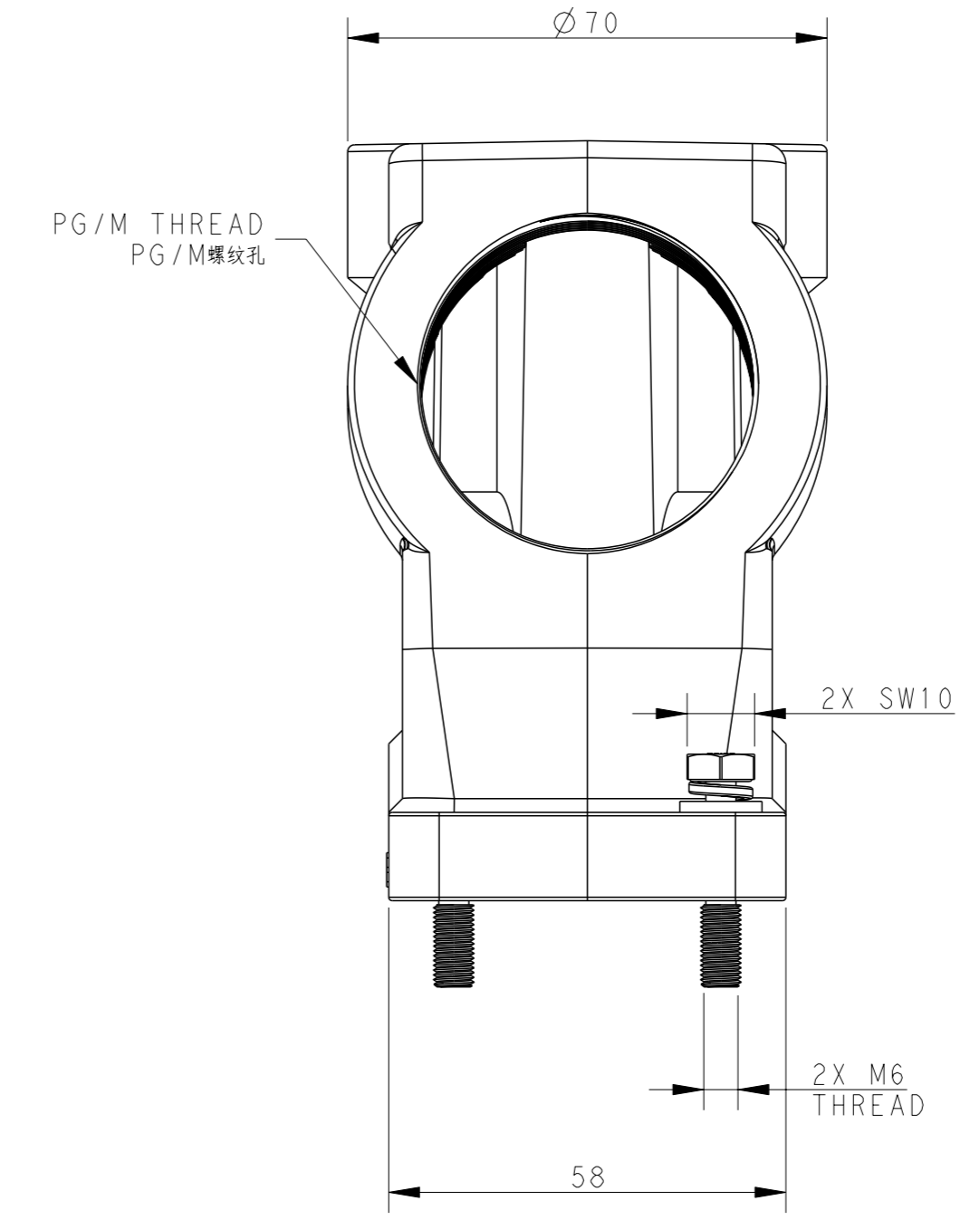
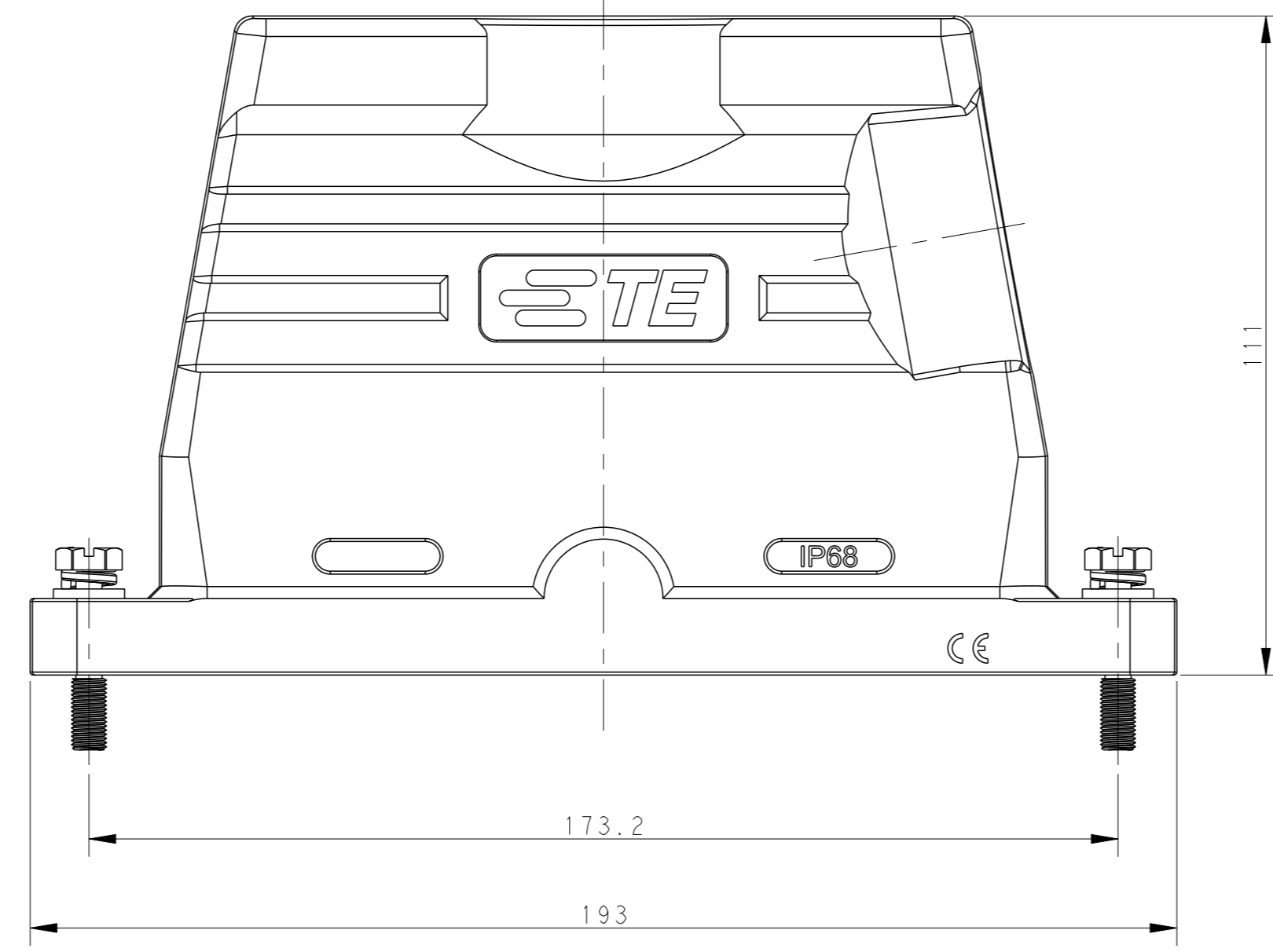
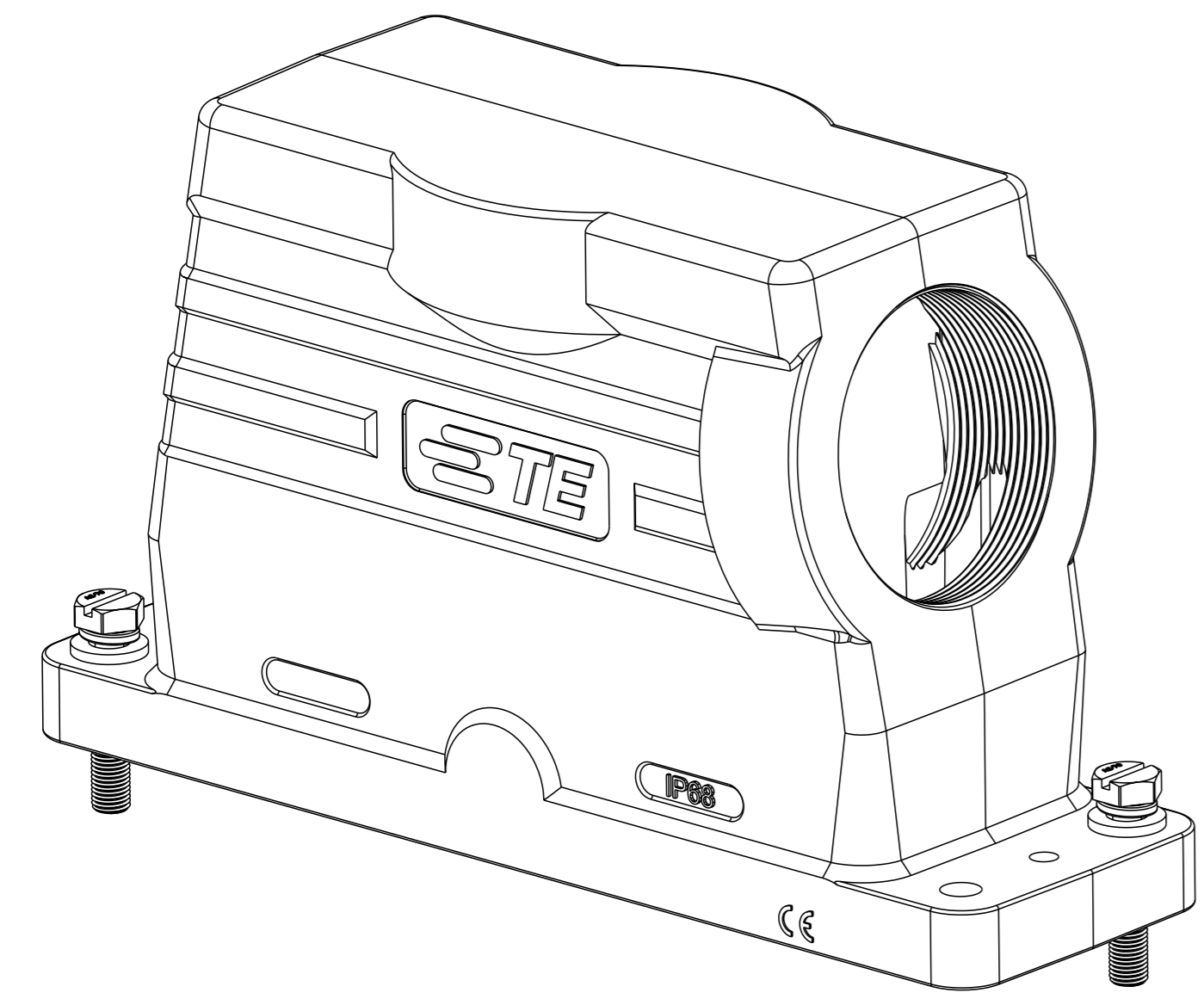
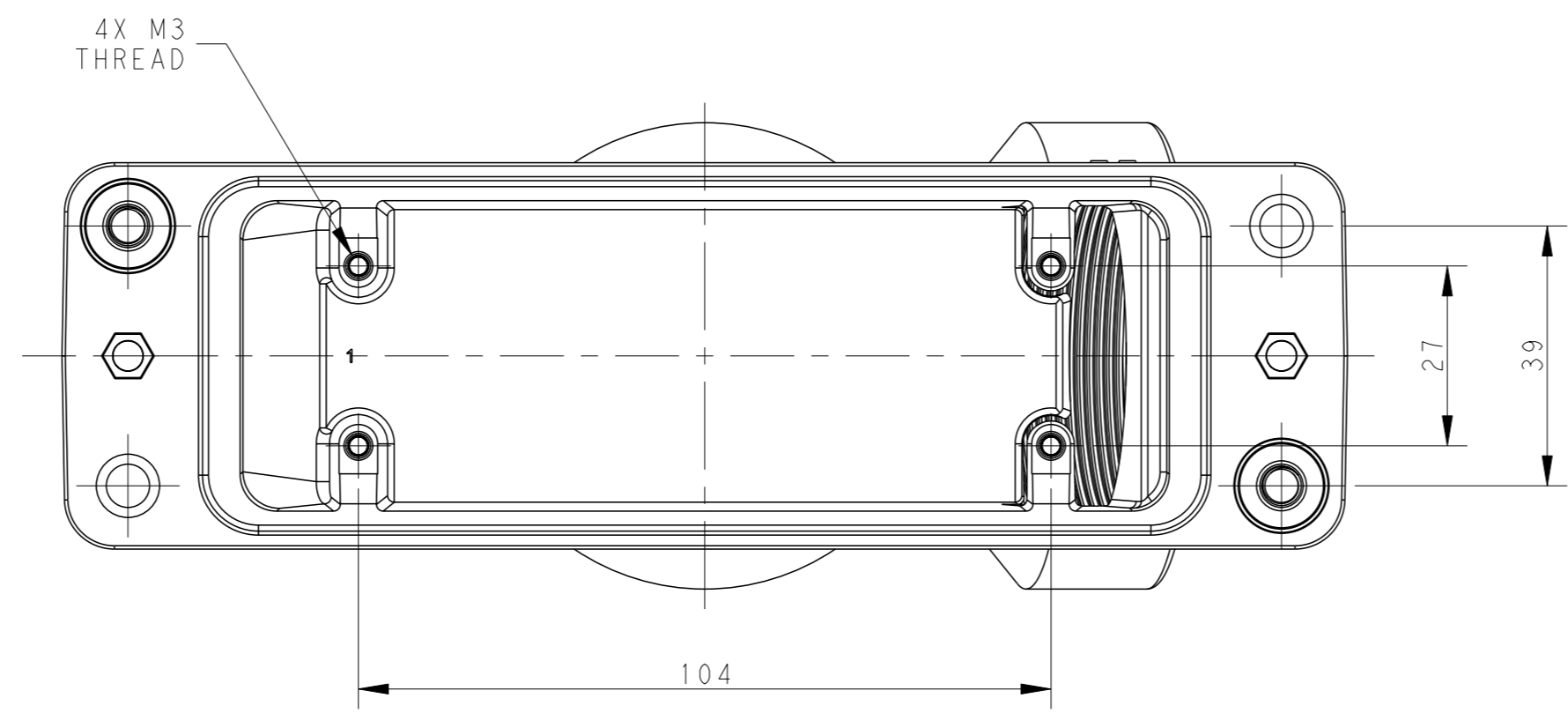


REVISIONS				
P	LY#	DESCRIPTION	DATE	APPD
A		INITIAL	07JUN2016	RL CW
A1		ECR-16-012141	30AUG2016	RL CW
A2		ECR-16-015006	26OCT2016	RL CW
B		ECR-20-014403	20MAY2021	BS CW



NOTES:
 I. TECHNICAL CHARACTERISTICS:
 HOOD MATERIAL: DIE CAST ALUMINIUM ALLOY
 SURFACE TREATMENT: POWDER COATED, BLACK
 DEGREE OF PROTECTION: IP68 (MATED)
 注释:
 I. 技术参数:
 壳体材料: 铝合金
 表面处理: 黑色粉末喷涂
 防护等级: IP68 (配合)



PART NUMBER	PART DESCRIPTION	PG/M THREAD
T1916240163-001	H24BPR-TSH-4S-M63 H24BPR HOOD, QUADRANGE LOCKING, SIDE ENTRY M63, POWDER COATED, BLACK H24BPR上壳, 四角锁定, 侧出M63, 黑色粉末喷涂	M63
T1916240150-001	H24BPR-TSH-4S-M50 H24BPR HOOD, QUADRANGE LOCKING, SIDE ENTRY M50, POWDER COATED, BLACK H24BPR上壳, 四角锁定, 侧出M50, 黑色粉末喷涂	M50
T1916240140-001	H24BPR-TSH-4S-M40 H24BPR HOOD, QUADRANGE LOCKING, SIDE ENTRY M40, POWDER COATED, BLACK H24BPR上壳, 四角锁定, 侧出M40, 黑色粉末喷涂	M40
T1916240132-001	H24BPR-TSH-4S-M32 H24BPR HOOD, QUADRANGE LOCKING, SIDE ENTRY M32, POWDER COATED, BLACK H24BPR上壳, 四角锁定, 侧出M32, 黑色粉末喷涂	M32
T1916240148-001	H24BPR-TSH-4S-PG48 H24BPR HOOD, QUADRANGE LOCKING, SIDE ENTRY PG48, POWDER COATED, BLACK H24BPR上壳, 四角锁定, 侧出PG48, 黑色粉末喷涂	PG48
T1916240142-001	H24BPR-TSH-4S-PG42 H24BPR HOOD, QUADRANGE LOCKING, SIDE ENTRY PG42, POWDER COATED, BLACK H24BPR上壳, 四角锁定, 侧出PG42, 黑色粉末喷涂	PG42
T1916240136-001	H24BPR-TSH-4S-PG36 H24BPR HOOD, QUADRANGE LOCKING, SIDE ENTRY PG36, POWDER COATED, BLACK H24BPR上壳, 四角锁定, 侧出PG36, 黑色粉末喷涂	PG36
T1916240129-001	H24BPR-TSH-4S-PG29 H24BPR HOOD, QUADRANGE LOCKING, SIDE ENTRY PG29, POWDER COATED, BLACK H24BPR上壳, 四角锁定, 侧出PG29, 黑色粉末喷涂	PG29

THIS DRAWING IS A CONTROLLED DOCUMENT. DWN: ROY LIU 07JUN2016
 CHK: KYLE ZENG 07JUN2016
 APVD: CHRIS WANG 07JUN2016

STE TE Connectivity

NAME: H24BPR-TSH-4S-PG/M

PRODUCT SPEC: 108-137014
 APPLICATION SPEC: 114-137014

SIZE: A1 CAGE CODE: - DRAWING NO: - RESTRICTED TO: -
 WEIGHT: -
 CUSTOMER DRAWING SCALE: 1:1 SHEET: 1 OF 1 REV: B

Printed on 21 May 2021 11:12 (China Standard Time) from 1E238667