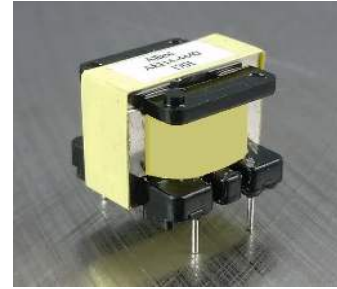




Coupling Transformer

AEI14-4440



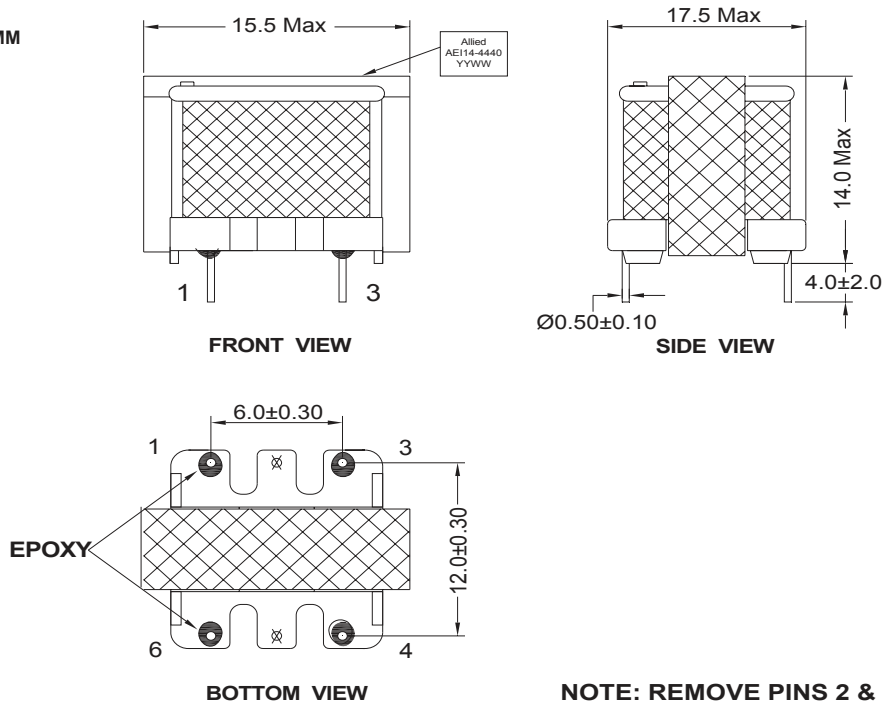
- EI14 Core TH Package
- Operating Industrial Temperature range: -40°C to +85°C

Electrical Specifications @ 25°C					
Impedance 1KHz (KΩ)	DCR (Ω ±20%)	Frequency Response @300Hz - 4.0KHz	Insertion Loss @1KHz	Turns Ratio	Hi-Pot 60S
(3 - 1): 10 ±10%	(3 - 1): 330	±1.0dB	1.7dB Max	(3 - 1):(6 - 4) = 1:1 ±2%	Pri to Sec: 1000VAC
(6 - 4): 10	(6 - 4): 420				Pri to Core: 1000VAC
					Sec to Core: 1000VAC

All specifications subject to change without notice.

MECHANICAL

DIMENSIONS: MM



SCHEMATICS

