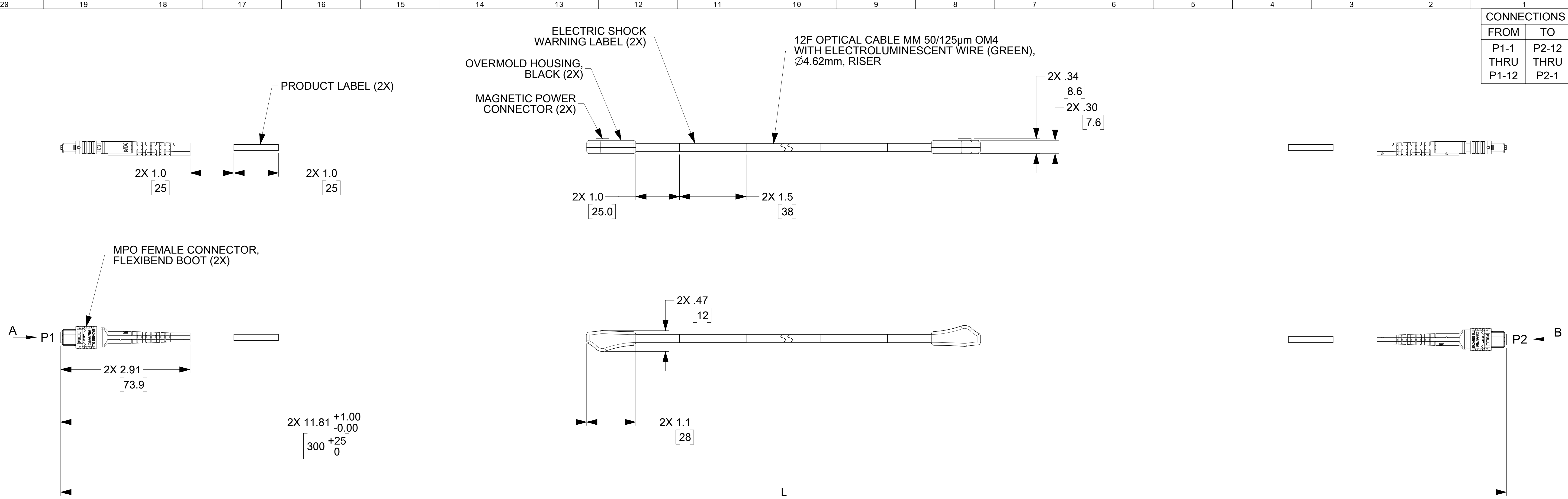
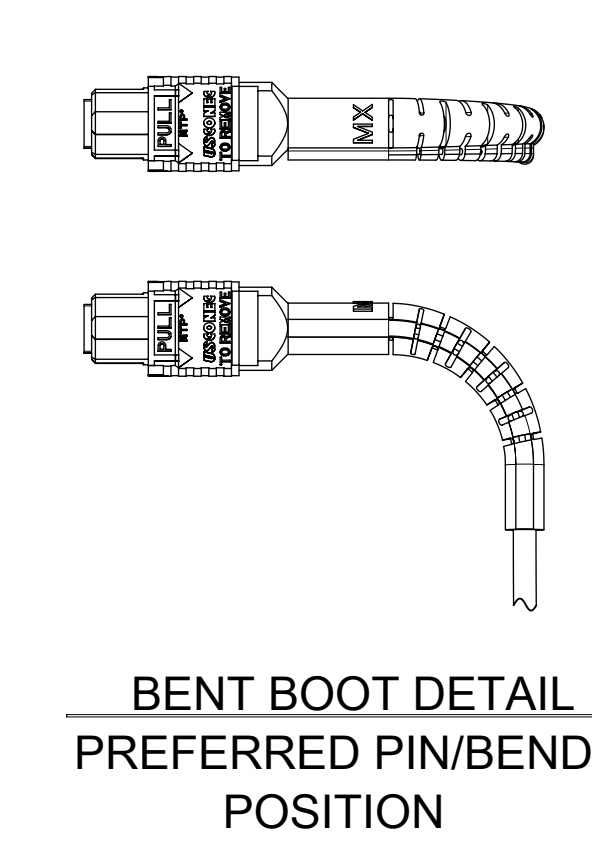
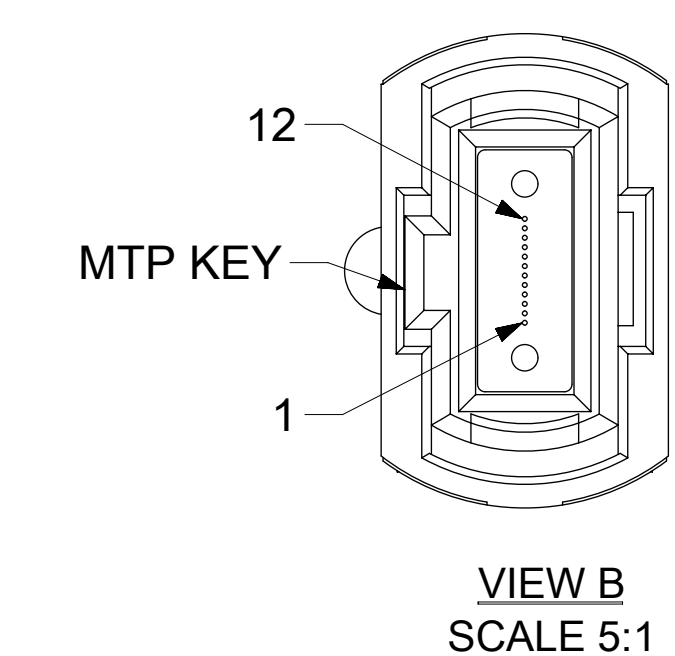
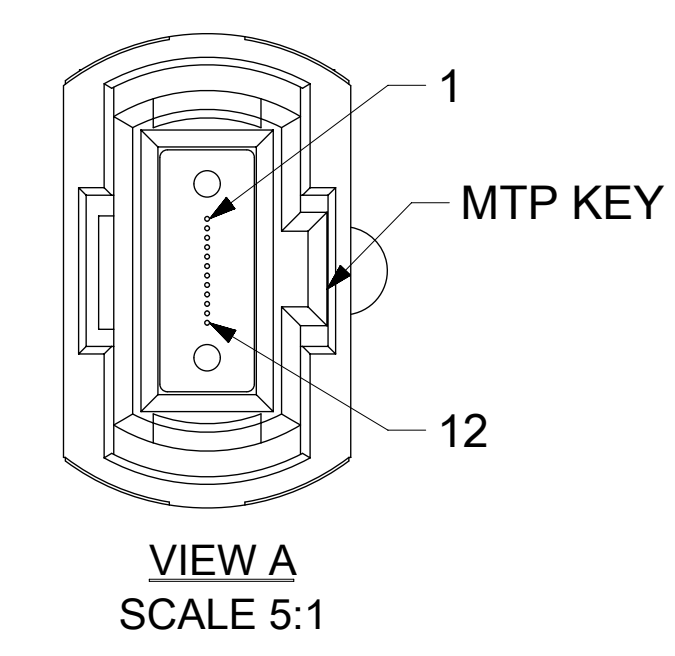
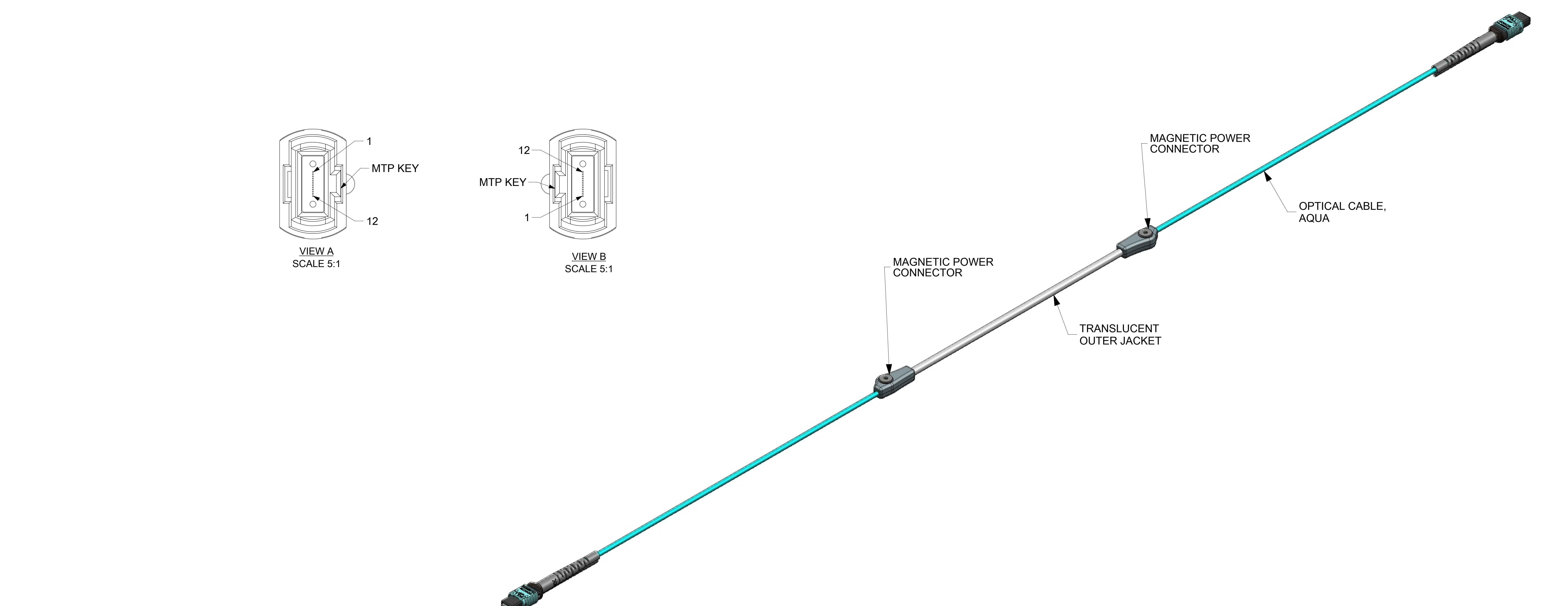


LumaLink CABLE P/N	LENGTH L (ft)	LumaLink CABLE P/N	LENGTH L (ft)
1062837201	5.0 +0.67/-0	1062837242	205.0 +4.1/-0
1062837202	8.0 +0.67/-0	1062837243	210.0 +4.2/-0
1062837203	10.0 +0.67/-0	1062837244	215.0 +4.3/-0
1062837204	15.0 +0.67/-0	1062837245	220.0 +4.4/-0
1062837205	20.0 +0.67/-0	1062837246	225.0 +4.5/-0
1062837206	25.0 +0.67/-0	1062837247	230.0 +4.6/-0
1062837207	30.0 +1.0/-0	1062837248	235.0 +4.7/-0
1062837208	35.0 +1.0/-0	1062837249	240.0 +4.8/-0
1062837209	40.0 +1.0/-0	1062837250	245.0 +4.9/-0
1062837210	45.0 +1.0/-0	1062837251	250.0 +5.0/-0
1062837211	50.0 +1.0/-0	1062837252	255.0 +5.1/-0
1062837212	55.0 +1.0/-0	1062837253	260.0 +5.2/-0
1062837213	60.0 +1.0/-0	1062837254	265.0 +5.3/-0
1062837214	65.0 +1.3/-0	1062837255	270.0 +5.4/-0
1062837215	70.0 +1.4/-0	1062837256	275.0 +5.5/-0
1062837216	75.0 +1.5/-0	1062837257	280.0 +5.6/-0
1062837217	80.0 +1.6/-0	1062837258	285.0 +5.7/-0
1062837218	85.0 +1.7/-0	1062837259	290.0 +5.8/-0
1062837219	90.0 +1.8/-0	1062837260	295.0 +5.9/-0
1062837220	95.0 +1.9/-0	1062837261	300.0 +6.0/-0
1062837221	100.0 +2.0/-0	1062837262	305.0 +6.1/-0
1062837222	105.0 +2.1/-0	1062837263	310.0 +6.2/-0
1062837223	110.0 +2.2/-0	1062837264	315.0 +6.3/-0
1062837224	115.0 +2.3/-0	1062837265	320.0 +6.4/-0
1062837225	120.0 +2.4/-0	1062837266	325.0 +6.5/-0
1062837226	125.0 +2.5/-0		
1062837227	130.0 +2.6/-0		
1062837228	135.0 +2.7/-0		
1062837229	140.0 +2.8/-0		
1062837230	145.0 +2.9/-0		
1062837231	150.0 +3.0/-0		
1062837232	155.0 +3.1/-0		
1062837233	160.0 +3.2/-0		
1062837234	165.0 +3.3/-0		
1062837235	170.0 +3.4/-0		
1062837236	175.0 +3.5/-0		
1062837237	180.0 +3.6/-0		
1062837238	185.0 +3.7/-0		
1062837239	190.0 +3.8/-0		
1062837240	195.0 +3.9/-0		
1062837241	200.0 +4.0/-0		



CONNECTIONS	
FROM	TO
P1-1 THRU P1-12	P2-12 THRU P2-1



- NOTES:
- DIMENSIONS ARE IN in/[mm].
 - CONNECTOR ENDCAPS ARE NOT SHOWN BUT INCLUDED.
 - MAX. INSERTION LOSS PER CONNECTOR AT 850nm: 0.5dB. CABLE ATTENUATION 3.0 dB/km MAX. IS NOT UNCLUDED. MAX. RETURN LOSS AT 850nm: -20dB.
 - OPERATING TEMPERATURE: 0° TO +60°C.
 - BOTH PRODUCT LABELS ARE PRINTED WITH MOLEX P/N AND SERIAL NUMBER.
 - PRELIMINARY RELEASE - PRODUCT HAS NOT BEEN FULLY QUALIFIED.

SYMBOLS	DIMENSION UNITS	SCALE	CURRENT REV DESC:		
▽ = 0	HYBRID	1:1	EC NO: 178225		
▽ = 0	GENERAL TOLERANCES (UNLESS SPECIFIED)		DRWN: IGUMIN	2018/06/19	
▽ = 0	ANGULAR TOL ± °		CHK'D: IGUMIN	2018/06/21	
▽ = 0	4 PLACES ±		APPR: IGUMIN	2018/06/21	
▽ = 0	3 PLACES ±		INITIAL REVISION:		
▽ = 0	2 PLACES ±		DRWN: IGUMIN	2018/01/02	
▽ = 0	1 PLACE ±		APPR: IGUMIN	2018/05/18	
▽ = 0	0 PLACES ±		THIRD ANGLE PROJECTION		
▽ = 0	DRAFT WHERE APPLICABLE MUST REMAIN WITHIN DIMENSIONS		DRAWING	SERIES	MATERIAL NUMBER
▽ = 0			E-SIZE	106283	SEE TABLE

RESTRICTED PRODUCT CUSTOMER DRAWING		
DOCUMENT NUMBER	DOC TYPE	DOC PART
1062837201	PSD	000
REVISION		
B		
CUSTOMER	SHEET NUMBER	
VERIZON	1 OF 1	

DOCUMENT STATUS	P1	RELEASE DATE	2018/06/21	21:14:41
-----------------	----	--------------	------------	----------