

TYPICAL ELECTRICAL AND THERMAL CHARACTERISTICS

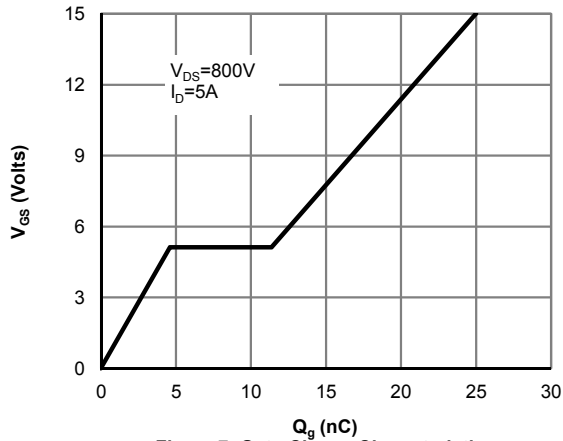


Figure 7: Gate-Charge Characteristics

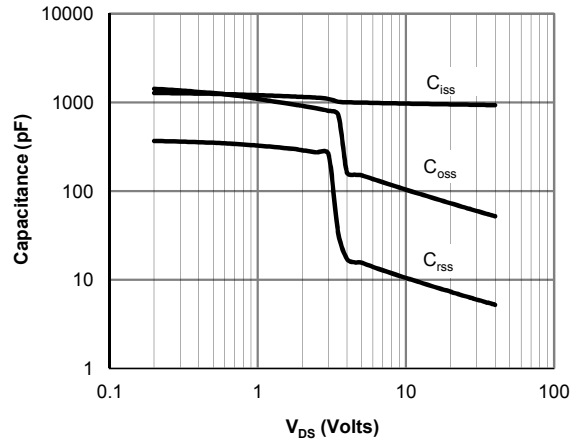


Figure 8: Capacitance Characteristics

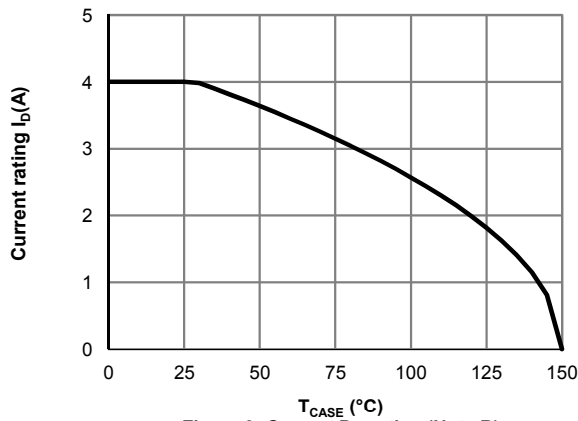


Figure 9: Current De-rating (Note B)

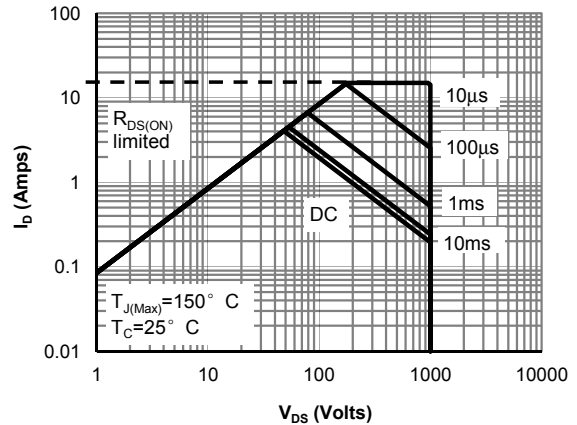


Figure 10: Maximum Forward Biased Safe Operating Area for AOK5N100 (Note F)

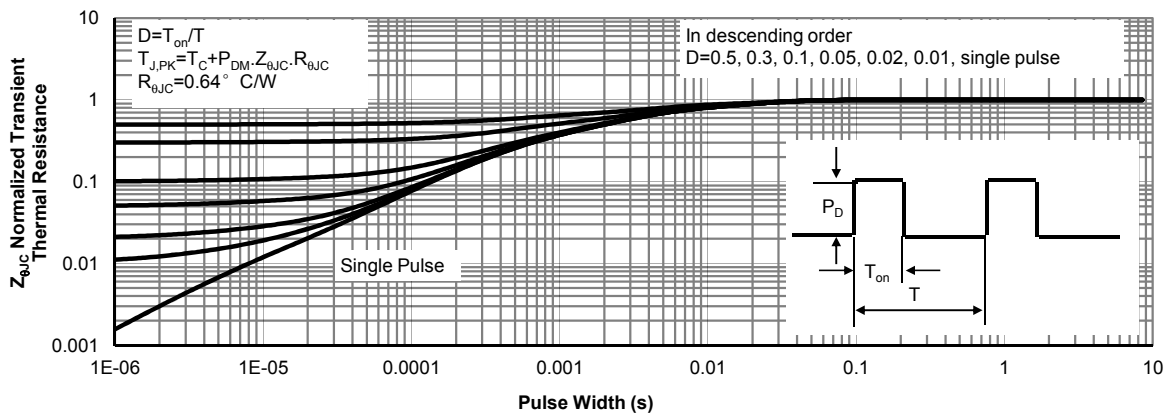
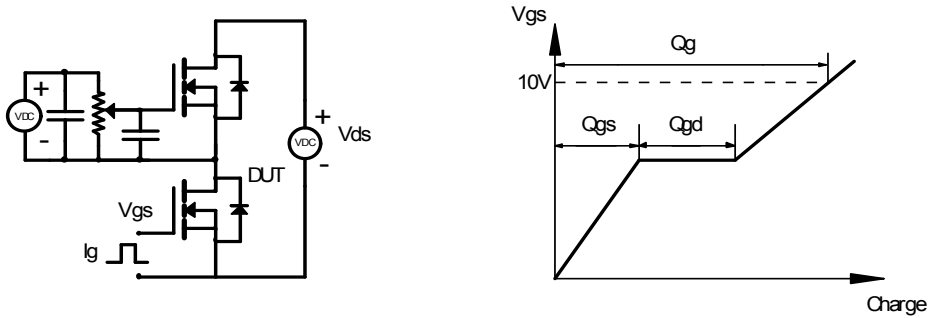
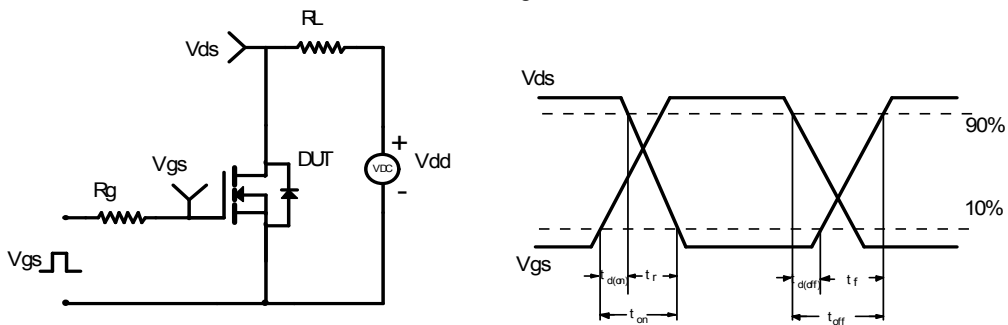


Figure 11: Normalized Maximum Transient Thermal Impedance for AOK5N100 (Note F)

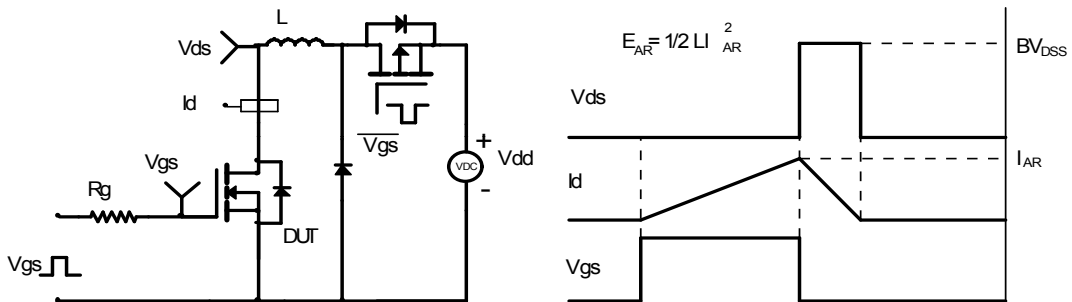
Gate Charge Test Circuit & Waveform



Resistive Switching Test Circuit & Waveforms



Unclamped Inductive Switching (UIS) Test Circuit & Waveforms



Diode Recovery Test Circuit & Waveforms

