

NOTE:

MATERIAL

INSULATOR LCP UL94V-0, BLACK
 CONTACT BRASS, 15u" GOLD PLATING
 SHELL ZINC ALLOY, NICKEL 60u"-100u"

ELECTRICAL

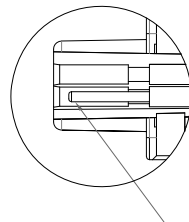
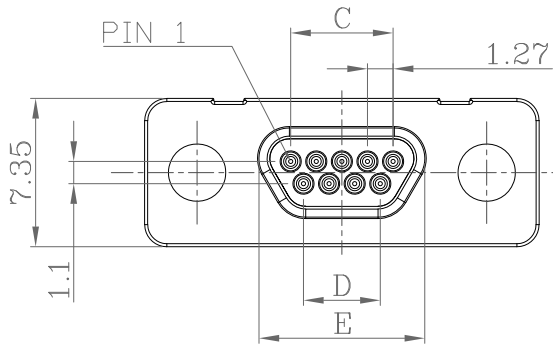
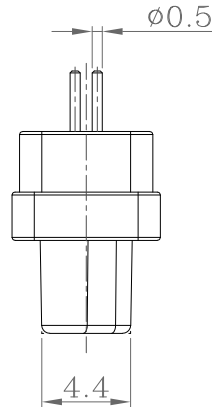
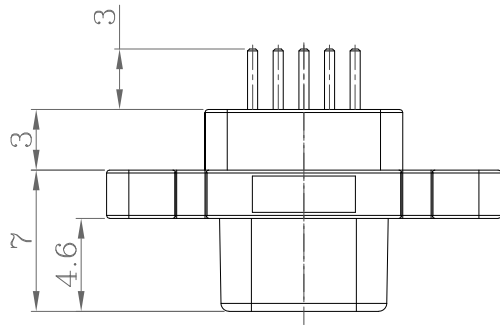
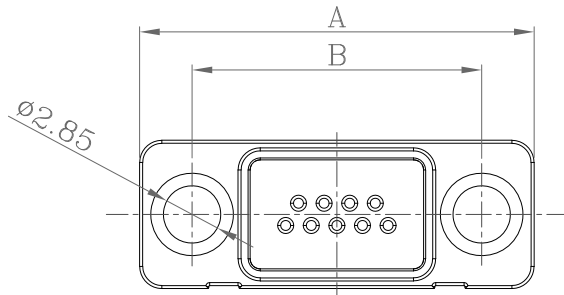
RATED CURRENT 2A
 VOLTAGE 60VDC
 INSULATOR RESISTANCE 1000 MOhms MIN.
 CONTACT RESISTANCE 30 mOhms MAX.

ENVIRONMENT

OPERATION TEMPERATURE -40°C TO +125°C
 PROCESS TEMPERATURE 260°C

*NOT DESIGNED TO MATE WITH NORCOMP 380 // 381 // 960 SERIES & NORCOMP MICRO-D CABLE ASSEMBLIES USING THE 960 SERIES CONNECTORS.

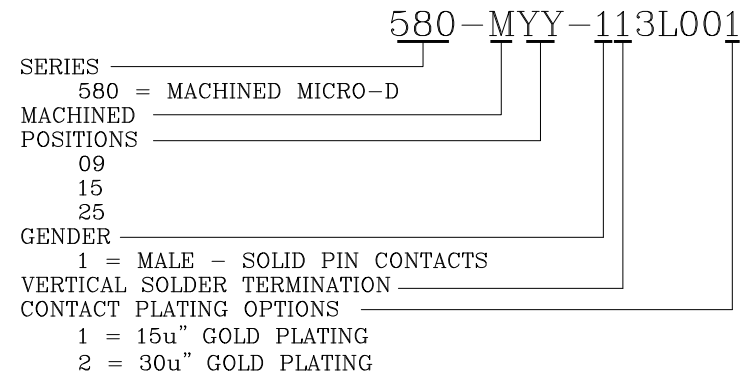
**DESIGNED TO MATE WITHIN NORCOMP 58Y-M SERIES MICRO-D CONNECTORS



NESTED PLUG CONTACT

USE ABOVE FRONT FACE DIMENSIONS FOR PCB LAYOUT DESIGN. 0.8mm HOLE SIZE IS RECOMMENDED.

DIMENSIONS(mm)					
SIZE	A	B	C	D	E
9	19.55	14.35	5.08	3.81	8.20
15	23.36	18.20	8.89	7.62	12.00
25	29.70	24.55	15.24	13.97	18.35



RoHS COMPLIANT



THESE DRAWINGS AND SPECIFICATIONS ARE THE PROPERTY OF NorComp AND SHALL NOT BE REPRODUCED, COPIED OR USED AS THE BASIS FOR THE MANUFACTURE OR SALE OF APPARATUS WITHOUT WRITTEN PERMISSION.

DRAWN:

J. KADEL

DATE:

05/14/2020

TOLERANCES

.x ±0.20
 .xx ±0.10
 .xxx ±0.05
 .xxxx ±0.03
 ANGULAR ±1°

UNITS = mm

DO NOT SCALE FROM DRAWING

NorComp

SCALE:

NTS

SHEET OF

1 1

REV

5

DWG NO.

580-MYY-113L001