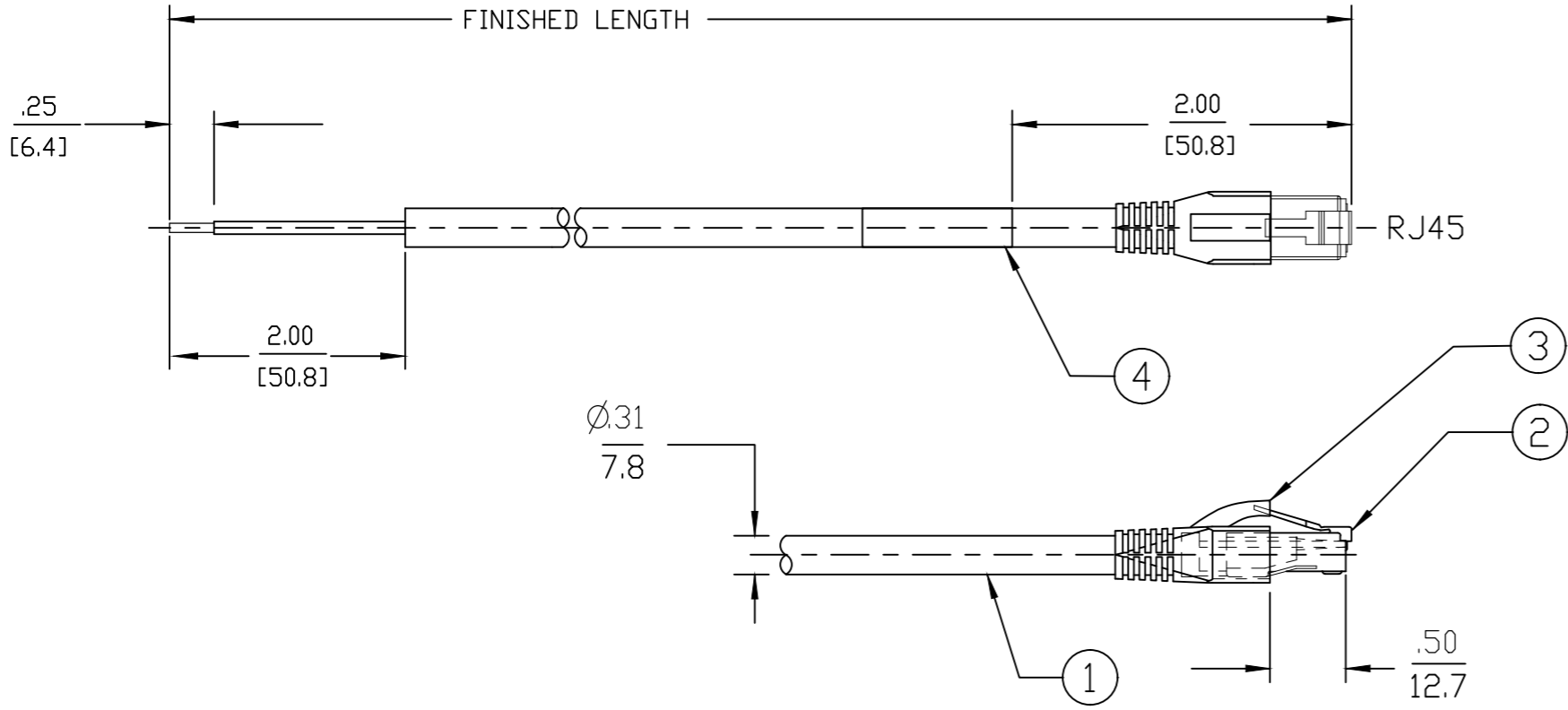
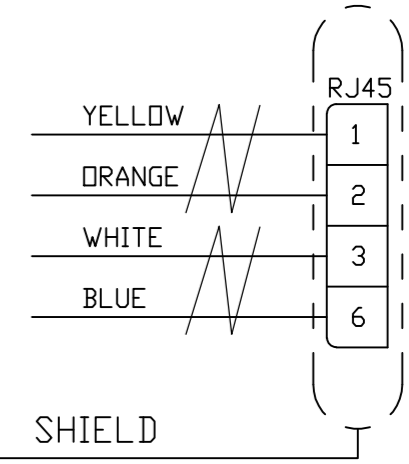
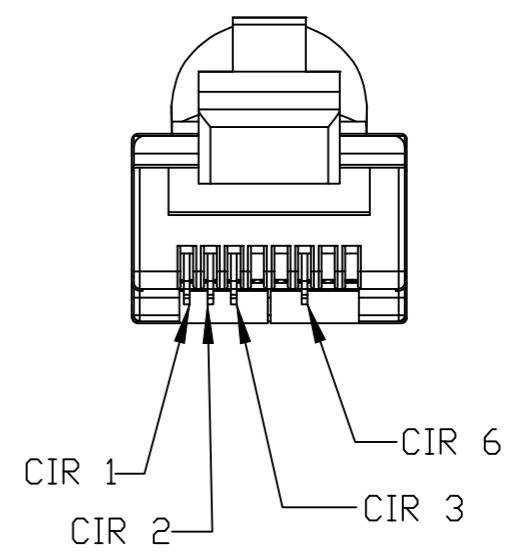


PART NO.	ENGINEERING NO.	FINISHED LENGTH
1201080768	E60A06017M002	7.87 IN [0.2M]

CABLE LENGTH TOLERANCES	
<.3M [1FT]:	+19mm-0 [+.75in-0]
.3 - .9M [1 - 3FT]:	+44.5mm-0 [+1.75in-0]
.9 - 1.8M [3 - 6FT]:	+55.6mm-0 [+2.19in-0]
1.8 - 3.7M [6 - 12FT]:	+88.9mm-0 [+3.50in-0]
3.7 - 7.3M [12 - 24FT]:	+165.1mm-0 [+6.50in-0]
7.3-14.6M [24 - 48FT]:	+317.5mm-0 [+12.50in-0]
14.6 - 30.5M [48-100FT]:	+622.3mm-0 [+24.50in-0]
OVER 30M [100FT]	+2% OF FINISHED LENGTH



RJ45 FACE VIEW
SCALE: 4X



- NOTES:
1. MATERIAL: SEE TABLE
 2. FINISHES: SEE TABLE
 3. ELECTRICAL SPECIFICATIONS
VOLTAGE RATING: 30VAC
CURRENT RATING: 1.5 AMPS
 4. DIMS SHOWN ARE FOR REFERENCE UNLESS NOTED OR TOLERANCED OTHERWISE

PART NO. MATRIX
E60A06017MXXX

FINISHED LENGTH
M001 = 0.1M
M010 = 1.0M
M100 = 10.0M

ITEM	DESCRIPTION	MATERIAL	FINISH
4	WRAP LABEL	VINYL	BLACK/YELLOW
3	RJ45 BOOT	PVC	BLACK
2	RJ45 PLUG	PC SHELL, BRASS CONT	CLEAR, GOLD PLT
1	CABLE, PROFINET, 2PR, 22 AWG, SHLD, PLTC	TPE JACKET	GREEN

FUNCTIONAL SYMBOLS F=0 E=0 P=0	THIS DRAWING CONTAINS INFORMATION THAT IS PROPRIETARY TO MOLEX ELECTRONIC TECHNOLOGIES, LLC AND SHOULD NOT BE USED WITHOUT WRITTEN PERMISSION		CURRENT REV DESC: INITIAL RELEASE							
	DIMENSION UNITS	SCALE	EC NO: 650933							
	INCH/MM	1:1	DRWN: RSTONE 2020/12/07							
	GENERAL TOLERANCES (UNLESS SPECIFIED)		CHK'D: MZIELINSKI 2020/12/08							
DIVISIONAL SYMBOLS	4 PLACES	±----	±----	APPR: BWOODMAN 2020/12/08	PRODUCT CUSTOMER DRAWING DOCUMENT NUMBER: 1201080768 DOC TYPE: PSD DOC PART: 000 REVISION: A					
	3 PLACES	±----	±----	INITIAL REVISION:						
	2 PLACES	±----	±----	DRWN: RSTONE 2020/12/07						
	1 PLACE	±----	±----	APPR: BWOODMAN 2020/12/08						
0 PLACES	±----	±----	ANGULAR TOL ± ---- °	DRAFT WHERE APPLICABLE MUST REMAIN WITHIN DIMENSIONS	THIRD ANGLE PROJECTION	DRAWING: B-SIZE	SERIES: 120108	MATERIAL NUMBER	CUSTOMER: GENERAL MARKET	SHEET NUMBER: 1 OF 1