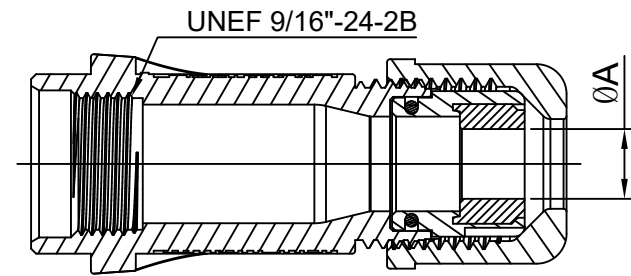
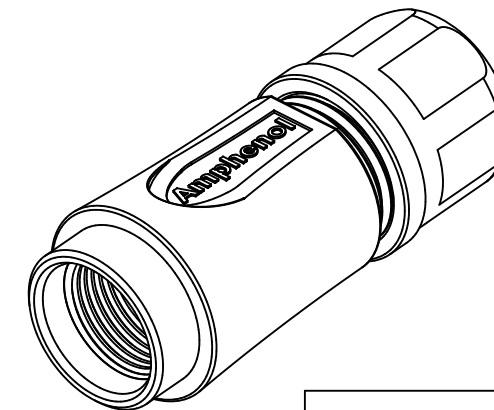
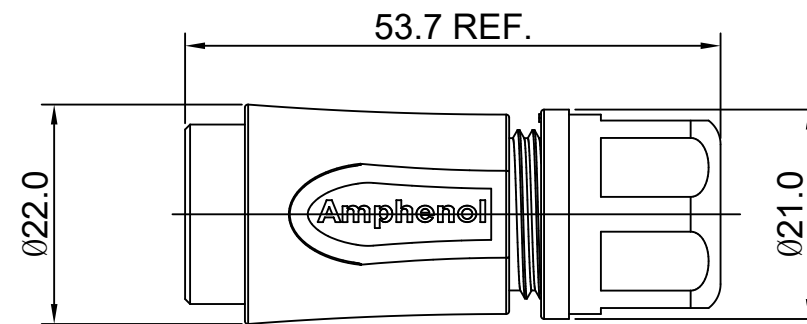
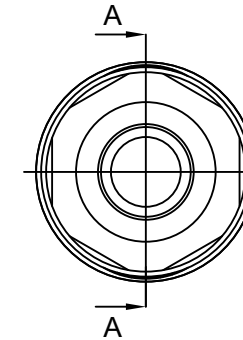


REVISIONS					
REV	ECO	DESCRIPTION	DATE	BY	APPR
01	-	RELEASED NUMBER	2018-02-28	Nick	TOMMY



SECTION A-A



DIMENSION ØA	CABLE OD RANGE
7.0MM	4.0-6.5MM
8.8MM	5.0-8.8MM

NOTES: (UNLESS OTHERWISE SPECIFIED)

- MATERIAL:  
O-RING: SILICONE RUBBER.  
BACK SHELL: THERMOPLASTIC, UL94 V-0.  
CLAMP NUT: THERMOPLASTIC, UL94 V-0.  
CLAMP RING: THERMOPLASTIC, UL94 V-0.  
CABLE SEAL: EPDM.
- RoHS COMPLIANT.
- ALL DIMENSIONS ARE FOR REFERENCE USE ONLY.

QUANTITY	PART NUMBER	DESCRIPTION	ITEM
<b>MATERIALS LIST</b>			
UNLESS OTHERWISE SPECIFIED 1) All dimensions are in metric (mm). 2) Tolerances are as follows: 1 PL DEC ±0.30 2 PL DEC ±0.15 3 PL DEC ±0.08 3) Note reference =		SIGNATURES      DATE DRAWN: Nick      2018-02-28 CHECKED: Tod      2018-02-28 ENGINEER: APPROVAL: Tommy      2018-02-28	
MATERIAL SPECIFICATIONS:		CUSTOMER: ECO-MATE, CORD GRIP, RTS, SIZE 10.	
PROCESS SPECIFICATIONS:		THIS DRAWING IS SUPPLIED FOR INFORMATION ONLY. DESIGN FEATURES, SPECIFICATIONS AND PERFORMANCE DATA SHOWN HEREON ARE THE PROPERTY OF THE AMPHENOL CORPORATION. NO RIGHTS OF REPRODUCTION ARE IMPLIED. ALL DIMENSIONS ARE SUBJECT TO NORMAL MANUFACTURING VARIATIONS.	
NEXT ASSY:		SIZE: <b>B</b> TYPE: <b>C-</b> DWG NO: <b>RTSOL-10CG</b> REVISION: <b>A1</b>	SCALE: NONE    SHEET 1 OF 1

TITLE: ECO-MATE, CORD GRIP, RTS, SIZE 10.      DWG NO: RTSOL-10CG      REV: A1      SH: 1      OF: 1