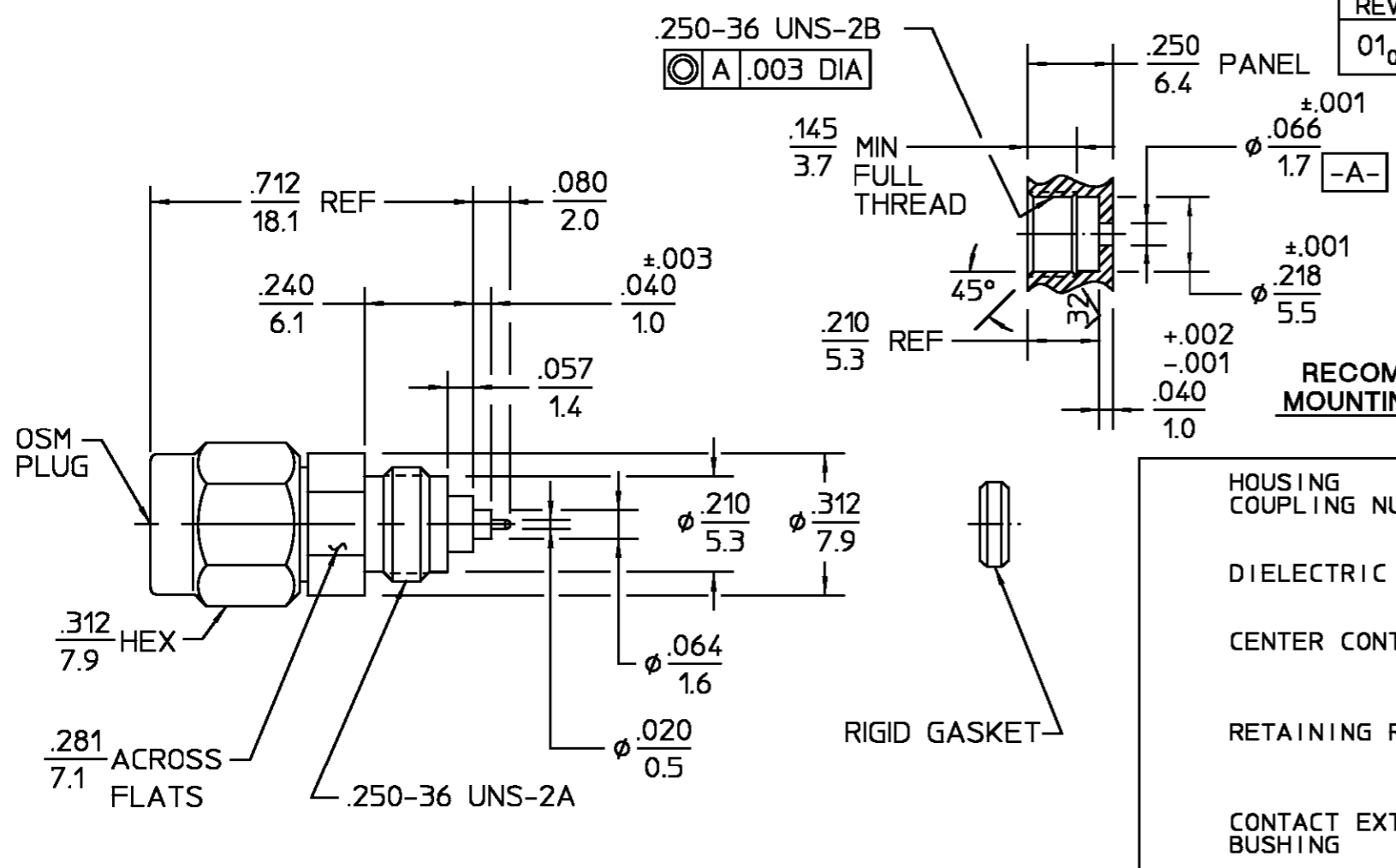


REVISIONS			
REV	DESCRIPTION	DATE	APPROVED
01 ₀	RELEASED	4/21/99	



COMPONENT	MATERIAL	FINISH
HOUSING	STAINLESS STEEL PER ASTM-A484 AND ASTM-A582, TYPE 303	GOLD PLATED PER MIL-G-45204
COUPLING NUT		
DIELECTRIC	PTFE FLUOROCARBON PER ASTM-D-1457	N/A
CENTER CONTACT	BERYLLIUM COPPER PER ASTM-B-196 OR ASTM-B-197, ALLOY C17300, CONDITION H	GOLD PLATE PER MIL-G-45204
RETAINING RING	BERYLLIUM COPPER PER ASTM-B-194, ALLOY C17200, CONDITION H	N/A
CONTACT EXT BUSHING	IRON-NICKEL-COBALT ALLOY PER MIL-1-23011 CLASS 1 (KOVAR)	GOLD PLATE PER MIL-G-45204
GASKET	SILICONE RUBBER PER ZZ-R-765	N/A
RIGID GASKET	SAE C12L14 STEEL	SILVER PLATED PER QQ-S-365
HERMETIC SEAL	GLASS BEAD	N/A

ELECTRICAL	MECHANICAL	ENVIRONMENTAL
Nominal Impedance (Ohms) <u>50</u>	Interface Dimensions MIL-STD-348A Fig. 310.1	Temperature Rating <u>-65°C To +125°C</u>
Frequency Range (GHz) <u>DC - 18</u>	Recommended Mating Torque <u>7 - 10 in-lbs</u>	Vibration - MIL-STD-202, Method 204, Condition D, 20G's
VSWR <u>1.04 ±.009f(GHz)</u>	Mating Characteristics: Insertion (MAX Lbs) <u>N/A</u>	Shock - MIL-STD-202, Method 213, Condition I, 100G's
Insertion Loss (dB MAX) <u>.04 √f(GHz)</u>	Withdrawal (MIN Oz) <u>N/A</u>	Thermal Shock MIL-STD-202, Method 107, Condition B
RF Leakage (dB MIN) <u>-(100 - f(GHz))</u>	Force To Engage (In-Lbs MAX) <u>2.0</u>	Moisture Resistance - MIL-STD-202, Method 106
Corona, 70,000 Ft (VRMS MIN) <u>333</u>	Force To Disengage (In-Lbs MAX) <u>2.0</u>	Corrosion - MIL-STD-202, Method 101, Condition B, 5% salt spray
Dielectric Withstanding Voltage (VRMS MIN) <u>1000 @ sea level</u>	Center Contact Captivation Axial (Lbs) <u>6.0</u>	
Contact Resistance (Milliohms MAX) Center Contact <u>10.0</u>	Radial (In-Oz) <u>N/A</u>	
Outer Contact <u>2.0</u>	Weight (Grams) <u>T.B.D.</u>	
RF High Potential @ sea level (VRMS MIN @ 5 MHz) <u>667</u>		
I.R.(Megohms) <u>5000</u>		

UNLESS OTHERWISE SPECIFIED DIMENSIONS ARE IN INCHES TOLERANCE ON		DRAWN BY PATLAN DATE 8-31-98		AMP Incorporated	
FRAC ± 1/64	DEC ±.005	ANGLES ± °	CHECKED BY	140 Fourth Avenue Waltham, MA 02451-7599	
These drawings and specifications are the property of AMP Interconnect Division and shall not be reproduced or copied or used in whole or in part as the basis for the manufacture or sale of item(s) without written permission.			APPD BY	4/21/99	AMP
USE ASS'Y PROCEDURE			TITLE OSM PLUG-THD MTD NON HERMETIC ENVIRONMENTALLY DURABLE		
408-04848 NO. AP. (20-601)			SIZE B	CODE IDENT NO. 26805	2057-5123-00
			SCALE 3 : 1	REV 01 ₀	SHEET 1 OF 1