

6

5

4

3

2

1

E

E

D

D

C

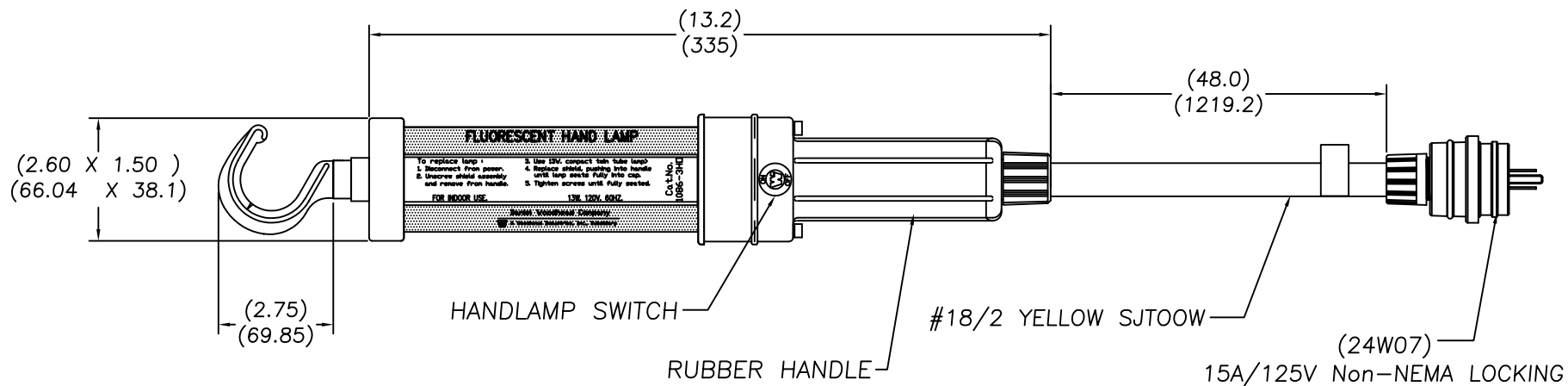
C

B

B

A

A



CORRECT SAP PART # EC NO: WNA2010-0401 DRWN: TVICKERS 12/28/09 CHKD: --- APPR: DTTITUS 2010/01/20	QUALITY SYMBOLS ▽=0 ▽C=0	GENERAL TOLERANCES (UNLESS SPECIFIED)		DIMENSION STYLE IN/MM		SCALE NTS	DESIGN UNITS INCH	THIRD ANGLE PROJECTION	
			mm	INCH	DRAWN BY TV	DATE 2009/01/15	TITLE 1083-3HON HAND LAMP W/4' #18/2 SJTOOW & WATERTITE PLUG		
		4 PLACES	±----	±----	CHECKED BY HK	DATE 2009/01/15	MOLEX INCORPORATED		
		3 PLACES	±----	±.005	APPROVED BY DTITUS	DATE 2010/01/19	DOCUMENT NO. SD-130108-002	SHEET NO. 1 OF 1	
		2 PLACES	±----	±.010	THIS DRAWING CONTAINS INFORMATION THAT IS PROPRIETARY TO MOLEX INCORPORATED AND SHOULD NOT BE USED WITHOUT WRITTEN PERMISSION				
		1 PLACE	±----	±.020					
		ANGULAR ±.5°		DRAFT WHERE APPLICABLE MUST REMAIN WITHIN DIMENSIONS					
B	REV			SIZE A					

6

5

4

3

2

1