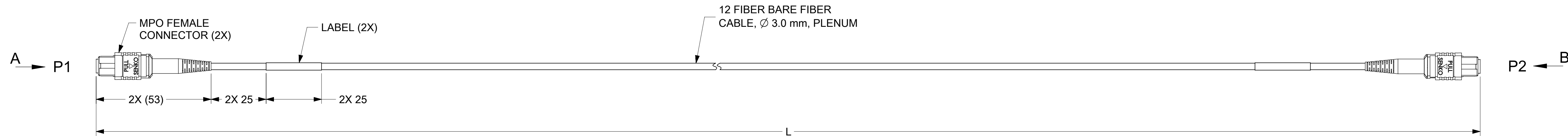
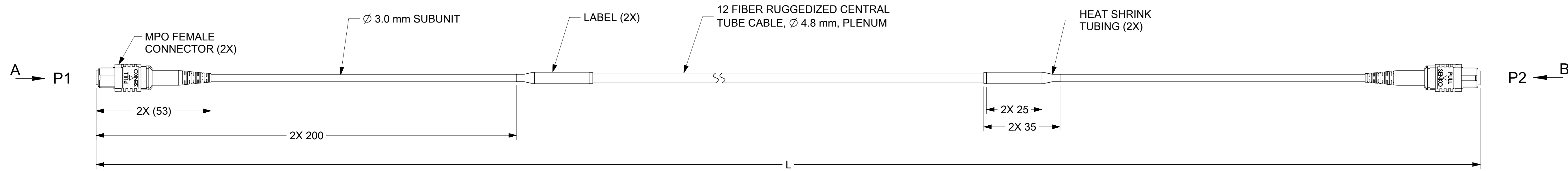


TRUNK CABLE P/N	OVERALL LENGTH, L (m)	CABLE TYPE	FIBER TYPE	CONNECTOR/CABLE COLOR	INSERTION LOSS	RETURN LOSS
1062250100	1.0 +0.2 / -0	SINGLE JACKET	MM 50/125 μm OM3 BIF	AQUA / AQUA	0.35 dB @ 850 nm	---
1062250101	3.0 +0.2 / -0					
1062250102	5.0 +0.2 / -0					
1062250103	10.0 +0.2 / -0					
1062250104	15.0 +0.3 / -0					
1062250105	25.0 +0.5 / -0	RUGGEDIZED CENTRAL TUBE	MM 50/125 μm OM3 BIF	AQUA / AQUA	0.35 dB @ 850 nm	---
1062250106	50.0 +1.0 / -0					
1062250107	100.0 +2.0 / -0	SINGLE JACKET	MM 50/125 μm OM4 BIF	AQUA / AQUA	0.35 dB @ 850 nm	---
1062250110	1.0 +0.2 / -0					
1062250111	3.0 +0.2 / -0					
1062250112	5.0 +0.2 / -0					
1062250113	10.0 +0.2 / -0					
1062250114	15.0 +0.3 / -0	RUGGEDIZED CENTRAL TUBE	MM 50/125 μm OM4 BIF	AQUA / AQUA	0.35 dB @ 850 nm	---
1062250115	25.0 +0.5 / -0					
1062250116	50.0 +1.0 / -0	SINGLE JACKET	SM 9/125 μm OS2 ITU-T G.657.A1 BIF	YELLOW / YELLOW	0.35 dB @ 1550 nm	- 50 dB @ 1550 nm
1062250117	100.0 +2.0 / -0					
1062250120	1.0 +0.2 / -0					
1062250121	3.0 +0.2 / -0					
1062250122	5.0 +0.2 / -0					
1062250123	10.0 +0.2 / -0	RUGGEDIZED CENTRAL TUBE	SM 9/125 μm OS2 ITU-T G.657.A1 BIF	YELLOW / YELLOW	0.35 dB @ 1550 nm	- 50 dB @ 1550 nm
1062250124	15.0 +0.3 / -0					
1062250125	25.0 +0.5 / -0	RUGGEDIZED CENTRAL TUBE	SM 9/125 μm OS2 ITU-T G.657.A1 BIF	YELLOW / YELLOW	0.35 dB @ 1550 nm	- 50 dB @ 1550 nm
1062250126	50.0 +1.0 / -0					
1062250127	100.0 +2.0 / -0					

CONNECTIONS	
FROM	TO
P1-1 THRU P1-12	P2-12 THRU P2-1

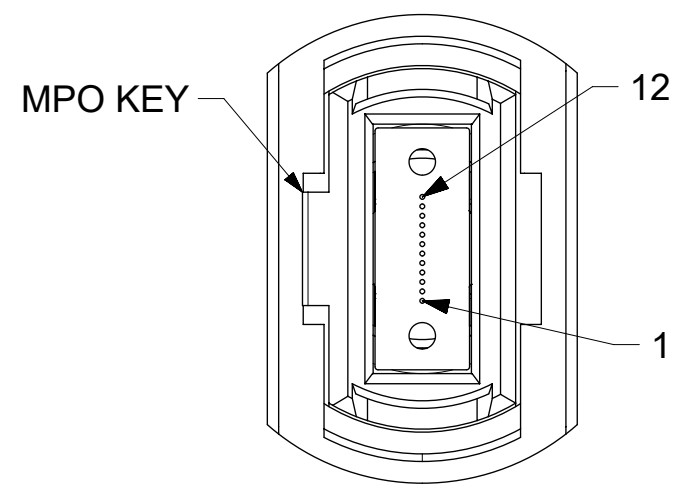
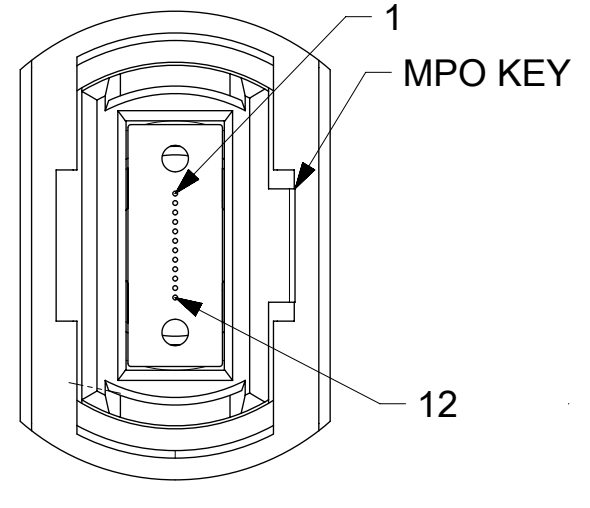


SINGLE JACKET



RUGGEDIZED CENTRAL TUBE

- NOTES:
1. ENDCAPS ARE NOT SHOWN BUT INLCUDED.
 2. LABEL IS PRINTED WITH MOLEX P/N AND SERIAL NUMBER.
 3. FOR DETAILED PRODUCT SPECIFICATION SEE DOCUMENT 1062250000 ES.
 4. CABLE CONSTRUCTION:
 - L < 25 meters - SINGLE JACKET CABLE
 - L ≥ 25 meters - RUGGEDIZED CENTRAL TUBE CABLE
 5. INSERTION LOSS TEST DATA IS PROVIDED WITH EACH SHIPMENT.
 6. PACKAGING:
 - L < 50 meters - INDIVIDUALLY COILED AND BAGGED
 - L ≥ 50 meters - SHIPPED ON SPOOLS



THIS DRAWING CONTAINS INFORMATION THAT IS PROPRIETARY TO MOLEX ELECTRONIC TECHNOLOGIES, LLC AND SHOULD NOT BE USED WITHOUT WRITTEN PERMISSION

DIMENSION UNITS	SCALE	CURRENT REV DESC:						
mm	1:1							
GENERAL TOLERANCES (UNLESS SPECIFIED)				MPO(F) - MPO(F) TRUNK CABLE, 12 FIBER, PLENUM				
ANGULAR TOL ± °				PRODUCT CUSTOMER DRAWING				
4 PLACES	±	EC NO: 688262		DOCUMENT NUMBER		DOC TYPE	DOC PART	REVISION
3 PLACES	±	DRWN: JHUANG18 2021/12/08		1062250100		PSD	000	B
2 PLACES	±	CHK'D: IGUMIN 2021/12/10		MATERIAL NUMBER		CUSTOMER		
1 PLACE	±	APPR: IGUMIN 2021/12/10		106225		SEE TABLE		
0 PLACES	±	INITIAL REVISION:		SERIES		SHEET NUMBER		
DRAFT WHERE APPLICABLE MUST REMAIN WITHIN DIMENSIONS		THIRD ANGLE PROJECTION		DRAWING		MATERIAL NUMBER		CUSTOMER
		D-SIZE		106225		SEE TABLE		1 OF 1