

4

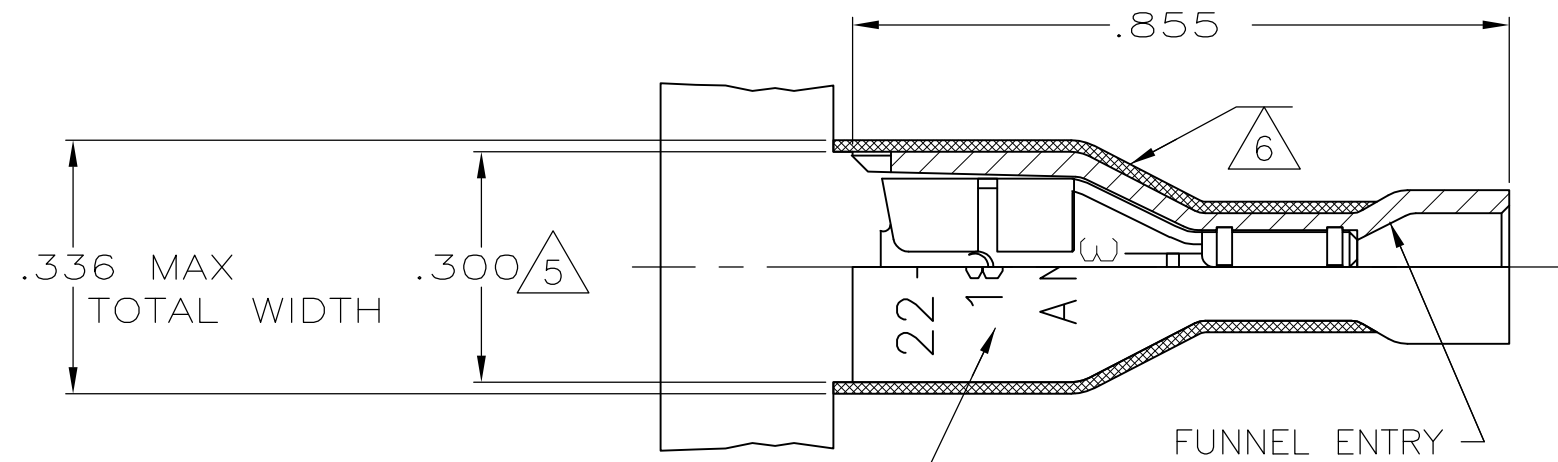
3

2

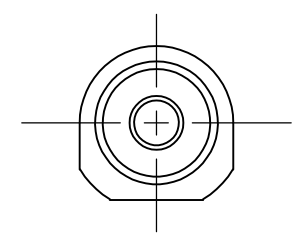
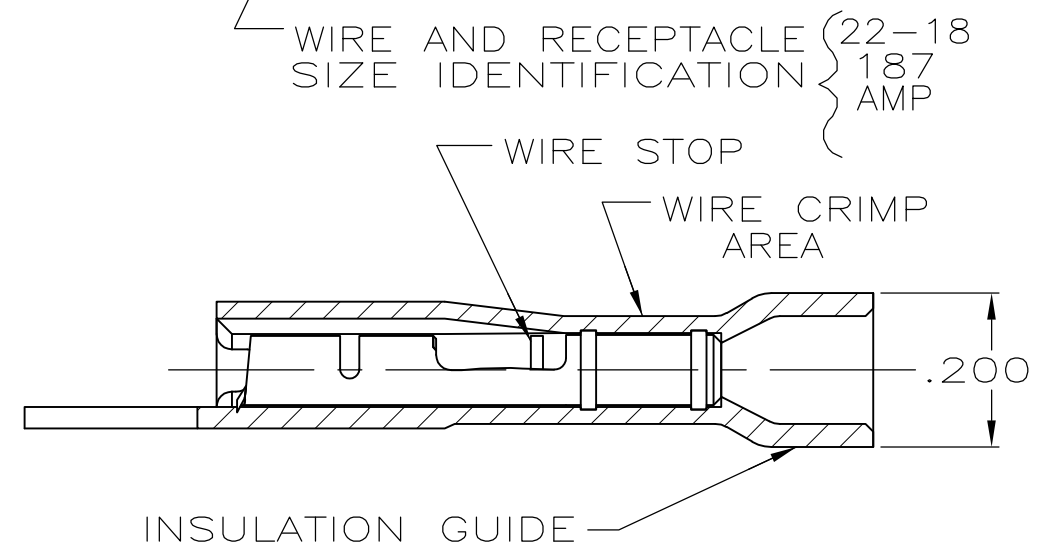
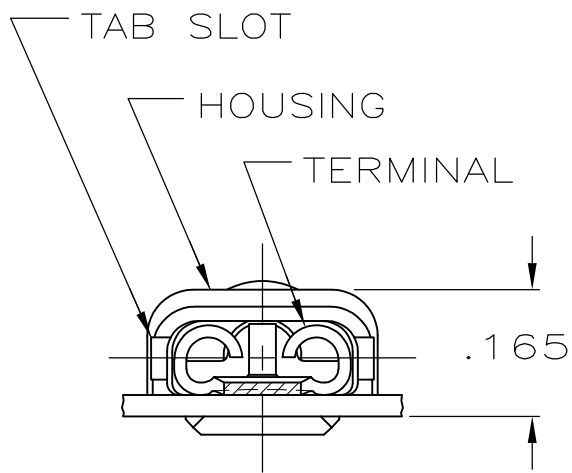
1

THIS DRAWING IS UNPUBLISHED. RELEASED FOR PUBLICATION  
 © COPYRIGHT - By - ALL RIGHTS RESERVED.

LOC	DIST	REVISIONS			
P	LTR	DESCRIPTION	DATE	DWN	APVD
AF	50	V	REVISED PER ECR-13-004343	30JUL13	KH KR



- 1 MATES WITH  $.032 \pm .001 \times .187$  TAB
- 2 WIRE STRIP LENGTH  $.281$
- 3 INSULATION SIZE  $.135$  MAX DIA
- 4 CONTINUOUS STRIP ON REELS
- 5 DIMENSION DOES NOT INCLUDE TRIM BURR
- 6  $.015$  MAX CARRIER TRIM BURR PER SIDE IS ALLOWABLE IN THE SHADED AREA



HOUSING: NYLON, COLOR - BLACK RECEPTACLE: BRASS TIN	9-520193-2
HOUSING: NYLON, COLOR - RED TRANSLUCENT RECEPTACLE: BRASS TIN	2-520193-2
MATERIAL & FINISH	PART NO.

THIS DRAWING IS A CONTROLLED DOCUMENT.		DWN P FORTNEY 10/13/88	<b>TE Connectivity</b>  RECEPTACLE ASSY, ULTRA-FAST, .187 SERIES, 22-18 AWG				
DIMENSIONS: INCHES		CHK JR RUTH 10/13/88				APVD D BRATINA 10/13/88	NAME
TOLERANCES UNLESS OTHERWISE SPECIFIED:		PRODUCT SPEC				108-2043	
MATERIAL SEE TABLE		APPLICATION SPEC				114-2123	
FINISH SEE TABLE		WEIGHT -		SIZE A3			
		CUSTOMER DRAWING		CAGE CODE 00779			
				DRAWING NO C-520193			
				RESTRICTED TO -			
		SCALE 4:1		SHEET 1 OF 1			
				REV V			