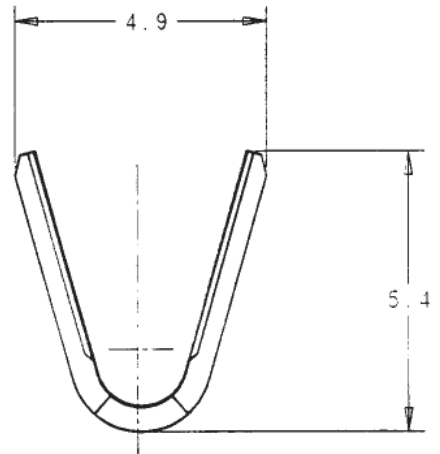
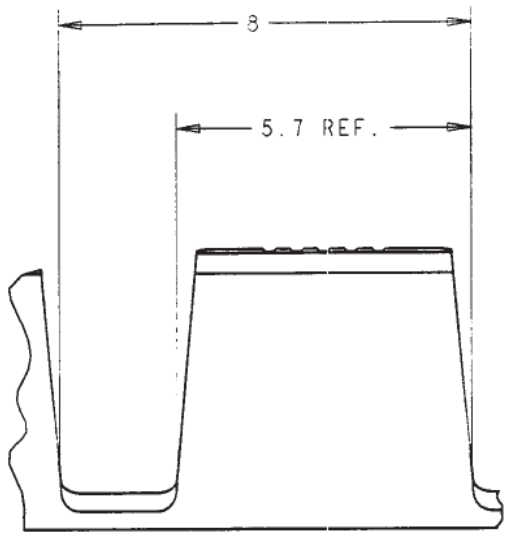
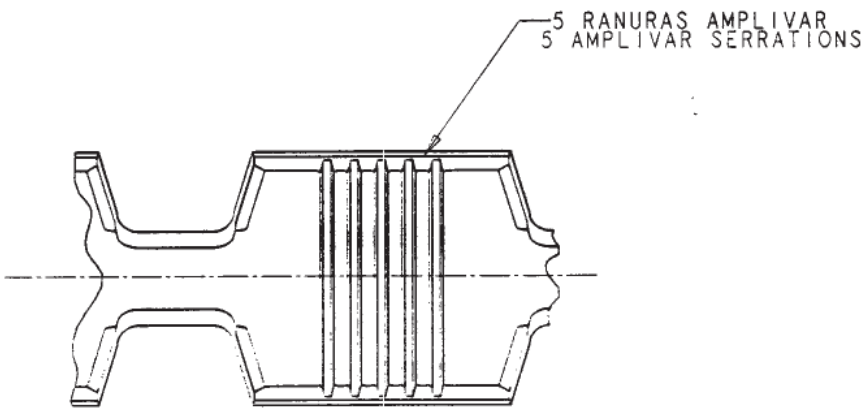


LOC	DIST	REVISIONS				
AL	2	LTR	DESCRIPTION	DATE	DWN	APVD
			REVISIONES <td>FECHA <td>DIB <td>APP </td></td></td>	FECHA <td>DIB <td>APP </td></td>	DIB <td>APP </td>	APP
		J	REVISE PER ECR-13-013738	15FEB2014	GRZ	JL
		J1	REVISED PER ECR-19-015041	06NOV2019	PC	MB



SCALE 2

1. REELED WITH INTERLEAVE PAPER.



FIN ESTANADO	BRASS, LATION	42779-1
FINISH	BRASS, LATION	42779-1
FINISH	MATERIAL	PART N°

THIS DRAWING IS A CONTROLLED DOCUMENT OF AMP INCORPORATED. ALL RIGHTS ARE RESERVED. ESTE PLANO ES UN DOCUMENTO CONTROLADO DE AMP INCORPORATED. TODOS LOS DERECHOS RESERVADOS. CONTACTAR CON EL MANEJADOR DE CONTROL DE VERSIONES.		DWN DIB 20-FEB-96	TE Connectivity
TOLERANCIAS UNLESS SPECIFIED TOLERANCIAS A MENOS QUE SE ESPECIFIEN POR DIMENSION 0 PLC / LUG = 0.3 1 PLC / LUG = 0.3 2 PLC / LUG = 0.3 3 PLC / LUG = 0 4 PLC / LUG = 0 ANGLES / ANGULOS =		APVD APP 20-FEB-96	
MATERIAL THK 0.50 mm ESPESOR 0.50 mm		PRODUCT SPEC 103-22039	SIZE TAM A3
F NISH ACABADO SEE TABLE		APPL CATION SPEC ESPEC APLICACION 114-2008	CAGE CODE CODIGO 00779
CUSTOMER DRAWING / PLANO DE CLIENTE		WEIGHT PESO -	DRAWING NO PLANO NO C-42779
		SCALE ESCALA 0.1	SHEET HOJA 1 OF 1
			REV J1