

THIS DRAWING IS UNPUBLISHED.

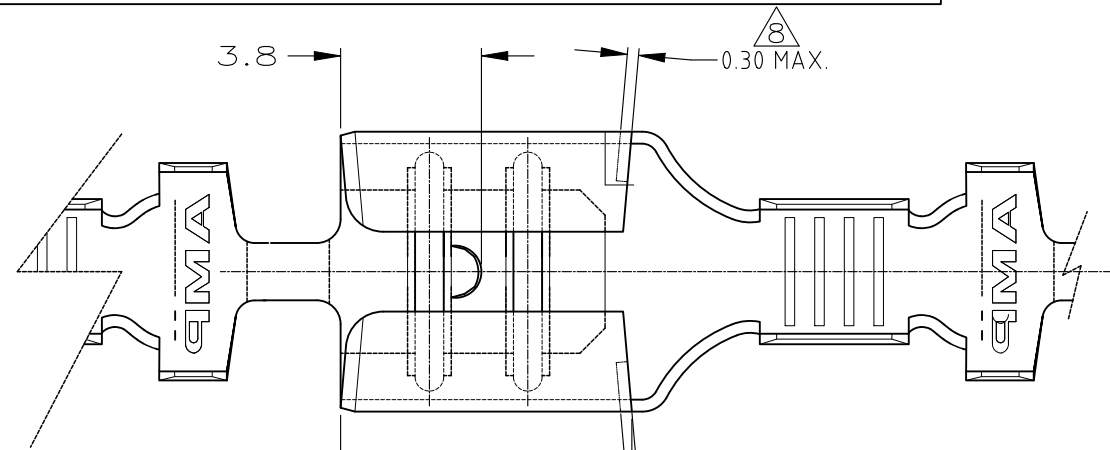
RELEASED FOR PUBLICATION

ALL RIGHTS RESERVED.

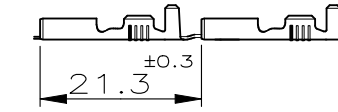
© COPYRIGHT - By -

REVISIONS

P	LTR	DESCRIPTION	DATE	DWN	APVD
	AW11	REVISED PER ECR-23-179586	28JUN2023	GK	RE



1) STATO DI FORNITURA - SCALA 1:1
(SUPPLY CONDITION - SCALE 1:1)



SENDO DI USCITA
DEL TERMINALE
DALLA BOBINA
(DIRECTION OFF
TOP OF REEL)

△ SPECIFICA DI PRODOTTO 108-20019
(PRODUCT SPEC. 108-20019)
SPECIFICA DI APPLICAZIONE 114-20023
(APPLICATION SPEC. 114-20023).

3) PER LE VERSIONI IN PEZZI SCIOLTI
VEDERE DISEGNO 160506
(FOR LOOSE PIECE VERSION SEE DRAWING 160506).

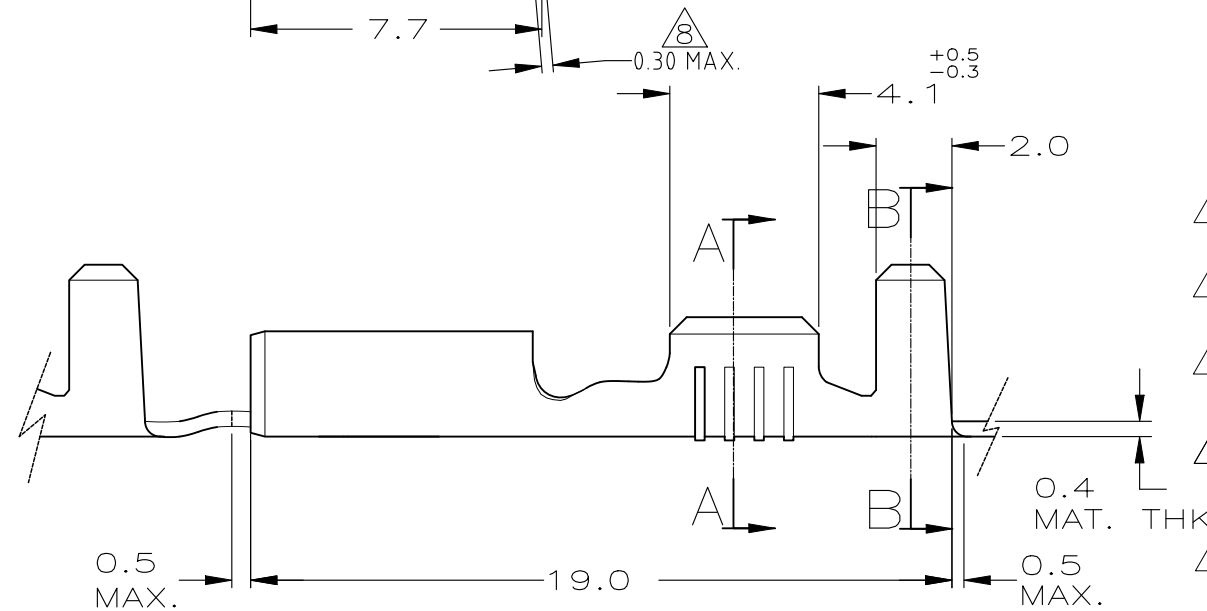
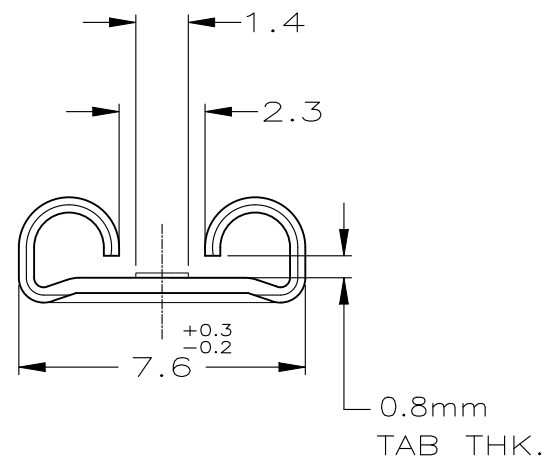
△ 4) NON IN PRODUZIONE
(NOT YET RELEASE FOR PRODUCTION)

△ 5) NOTE REMOVED.

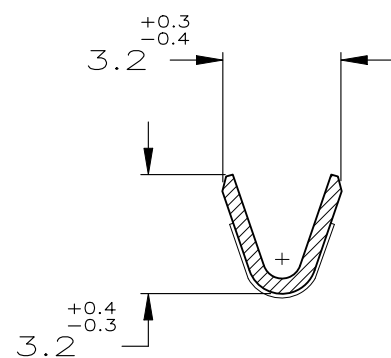
△ 6) NOTE REMOVED.

△ 7) PACKAGE WITH INTERLAYER PAPER

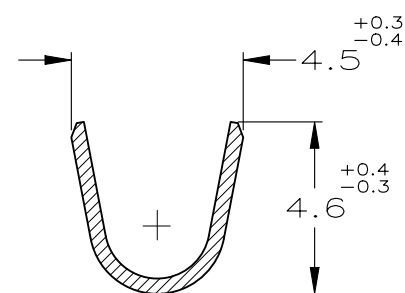
△ 8) CUT-OFF OFFSET IS ALLOWED BY 0.3mm MAX.
THIS MAY BE REQUIRED FOR MANUFACTURING,
BUT WILL NOT IMPACT THE INTENDED PERFORMANCE
OF THE CONTACT.



SEZIONE A-A
(SECTION A-A)



SEZIONE B-B
(SECTION B-B)



△/△/4	STAGNATO (TINPLATED)	OTTONE (BRASS)	7-160432-4	AY
	STAGNATO (TINPLATED)	OTTONE (BRASS)	7-160432-0	AU
	NUDO (UNPLATED)	BRONZO FOSF.(PH. BRONZE)	6-160432-4	AU
	PRE NICHELATO (PRE NICKEL PLATED)	ACCIAIO (STEEL)	6-160432-3	AU
	STAGNATO (TINPLATED)	BRONZO FOSF.(PH. BRONZE)	6-160432-0	AU
	ARGRNTATO (SILVER PLATED)	OTTONE (BRASS)	5-160432-7	AW
	STAGNATO (TINPLATED)	OTTONE (BRASS)	5-160432-4	AU
	NUDO (UNPLATED)	OTTONE (BRASS)	5-160432-3	AW
NOTE (NOTES)	FINITURA (FINISH)	MATERIALE (MATERIAL)	NUMERO (P/N)	REV

THIS DRAWING IS A CONTROLLED DOCUMENT.

DIMENSIONS:	TOLERANCES UNLESS OTHERWISE SPECIFIED:
mm	±0.3
0 PLC	±
1 PLC	±
2 PLC	±
3 PLC	±
4 PLC	±
ANGLES	±2°

DWN	H.YAALI	14 MAY 99
CHK	C.TARTARI	14 MAY 99
APVD	-	-
PRODUCT SPEC	-	-
APPLICATION SPEC	△	-
WEIGHT	0.785	-
CUSTOMER DRAWING		

STE TE Connectivity

FASTON® Connector
.250 SERIES REC. CONTACT

SIZE	CAGE CODE	DRAWING NO	RESTRICTED TO
A3	00779	C-160432	-
SCALE	-	SHEET	1 OF 1
REV	AW11		