

170071-101*
APPEARANCE

- NOTES:
- MATERIAL:
 - CAGE: NICKEL SILVER
 - CONNECTOR HOUSING: GLASS FILLED THERMOPLASTIC, UL: 94V-0, COLOR: BLACK
 - LIGHT PIPES: POLYCARBONATE, 94 HB, COLOR: CLEAR (WEIGHT OF INDIVIDUAL LIGHT PIPE LESS THAN 1 GRAM)
 - TERMINALS: HIGH PERFORMANCE COPPER ALLOY
 - FRONT SHIELD WALL: COPPER ALLOY
 - LIGHT PIPE HOUSING: ZINC ALLOY
 - ELASTOMERIC GASKET: SILVER IMPREGNATED SILICONE
 - FINISH
 - TERMINALS: CONTACT AREA: 0.76 μm MIN. HARD GOLD OVER 3.8 μm MIN. NICKEL.
3.8 μm MIN NICKEL
 - COMPLIANT TAIL: 0.7-1.5 μm MATTE TIN OVER 0.7-1.5 μm NICKEL
 - FRONT SHIELD WALL: 0.7-1.5 μm NICKEL OVERALL
 - LIGHT PIPE HOUSING: 2.0 μm NICKEL OVER 0.7 μm COPPER
 - 2X4 CONFIGURATION SHOWN FOR REFERENCE, SEE CHART FOR AVAILABLE OPTIONS
 - REFER TO PS-170071-0001 FOR ALL ELECTRICAL, MECHANICAL AND ENVIRONMENTAL SPECIFICATIONS.
 - REFER TO AS-170071-0001 FOR CONNECTOR MOUNTING AND REWORK INFORMATION.
 - REFER TO AS-170071-0002 FOR PCB ROUTING RECOMMENDATIONS.
 - ALL VISIBLE EXTERIOR SURFACES TO BE CLASS "B" (BOTTOM OF CONNECTOR IS CLASS "C")
CAGE SURFACES TO CONFORM TO THE MOLEX COSMETIC DOC PS-45499-002.
 - DATE CODE FORMAT: YYDDDX
YY: LAST TWO DIGITS OF THE YEAR
DDD: DAY OF THE YEAR
X: MOLEX INTERNAL CONTROL

NUMBER OF PORTS	PART NUMBER	DIM X	DIM Y
2X1	170071101*	14.50	15.10
2X2	170071201*	28.75	29.35
2X4	170071401*	57.25	57.85
2X6	170071601*	85.75	86.35
2X8	170071801*	114.25	114.85
2X8	170071121*	171.25	171.85

* DESIGNATES LIGHT PIPE CONFIGURATIONS, SEE SHEET 2.

170071-40** SHOWN FOR REFERENCE
APPEARANCE MAY VARY WITH SIZE

THIS DRAWING CONTAINS INFORMATION THAT IS PROPRIETARY TO MOLEX ELECTRONIC TECHNOLOGIES, LLC AND SHOULD NOT BE USED WITHOUT WRITTEN PERMISSION		CURRENT REV DESC: SEE REVISION HISTORY		molex		
DIMENSION UNITS	SCALE	EC NO: 641619				
mm	NTS	DRWN: CWANG67 2019/11/25		ZSFP+ STACKED ASSY W/ ELASTOMERIC GASKET		
GENERAL TOLERANCES (UNLESS SPECIFIED)		CHK'D: JKACHLIC 2020/07/17		PRODUCT CUSTOMER DRAWING		
ANGULAR TOL	± 0.5°	APPR: JKACHLIC 2020/07/17		DOCUMENT NUMBER		
4 PLACES	±	INITIAL REVISION:		1700710002		
3 PLACES	±	DRWN: DTAN10 2018/03/01		DOC TYPE		
2 PLACES	± 0.13	APPR: SHONG 2018/03/06		PSD		
1 PLACE	± 0.25	SERIES		000		
0 PLACES	±	MATERIAL NUMBER		A2		
DRAFT WHERE APPLICABLE MUST REMAIN WITHIN DIMENSIONS		THIRD ANGLE PROJECTION	DRAWING	SHEET NUMBER	SHEET NUMBER	
			A3-SIZE	170071	SEE TABLE	1 OF 5
			GENERAL MARKET			

9 8 7 6 5 4 3 2 1

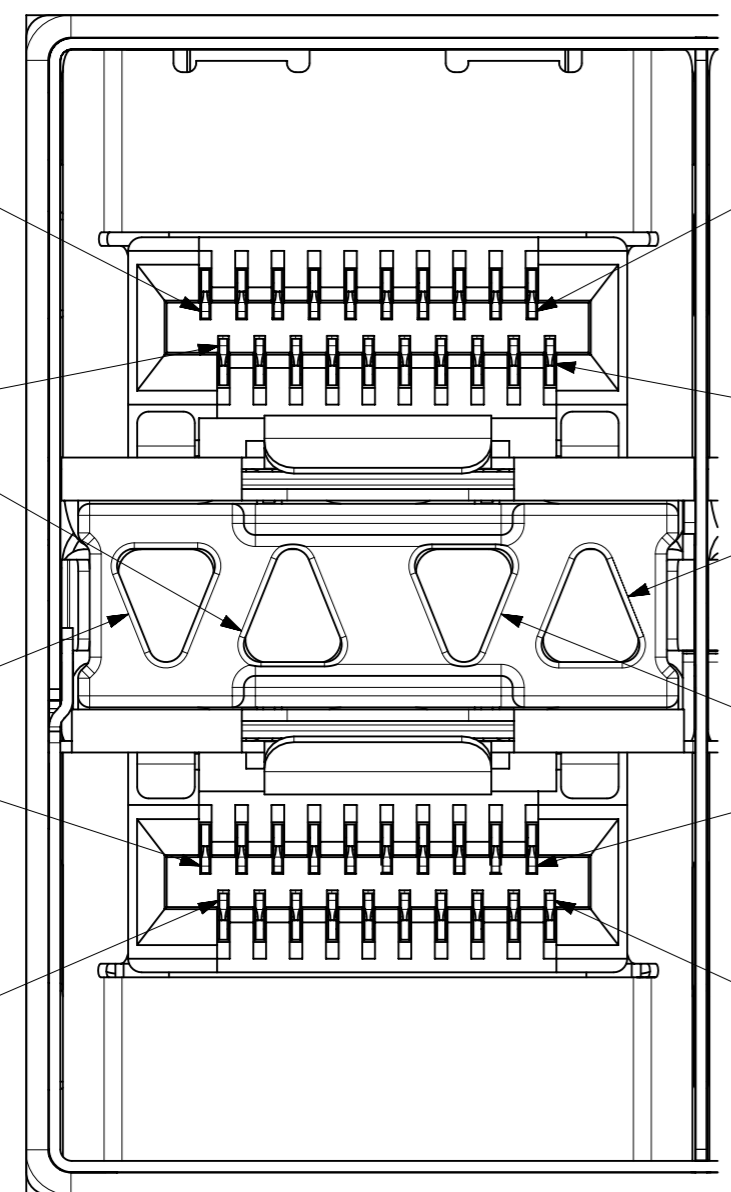
E

D

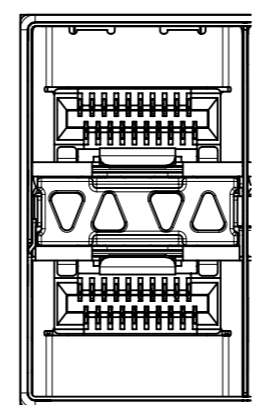
C

B

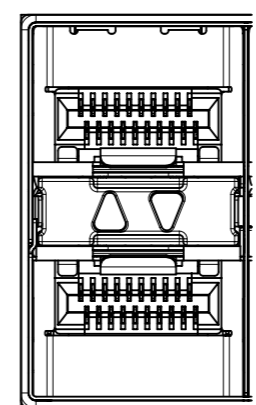
A



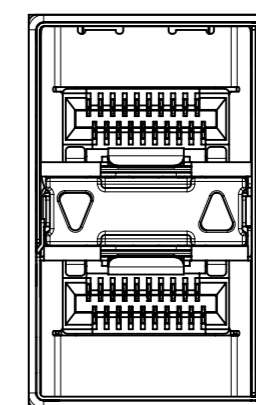
T20 T11
T1 T10
INNER LIGHT PIPE OUTER LIGHT PIPE
L10 L1
L11 L20



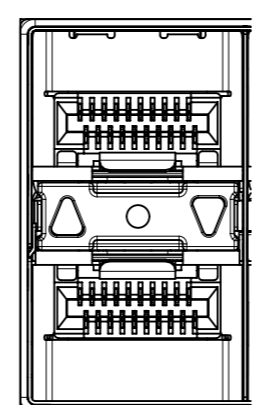
4 LIGHT PIPES
170071-**11



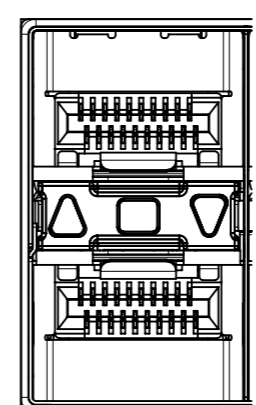
INNER 2 LIGHT PIPES
170071-**12



OUTER 2 LIGHT PIPES
DOWN / UP
170071-**13



OUTER 2 LIGHT PIPES
UP / DOWN
170071-**14



3 LIGHT PIPES
UP / MIDDLE / DOWN
170071-**15

PART NUMBER	DESCRIPTION
170071-**11	4 LIGHT PIPES
170071-**12	INNER 2 PORTS
170071-**13	OUTER DOWN/UP
170071-**14	OUTER UP/DOWN
170071-**15	3 LIGHT PIPES

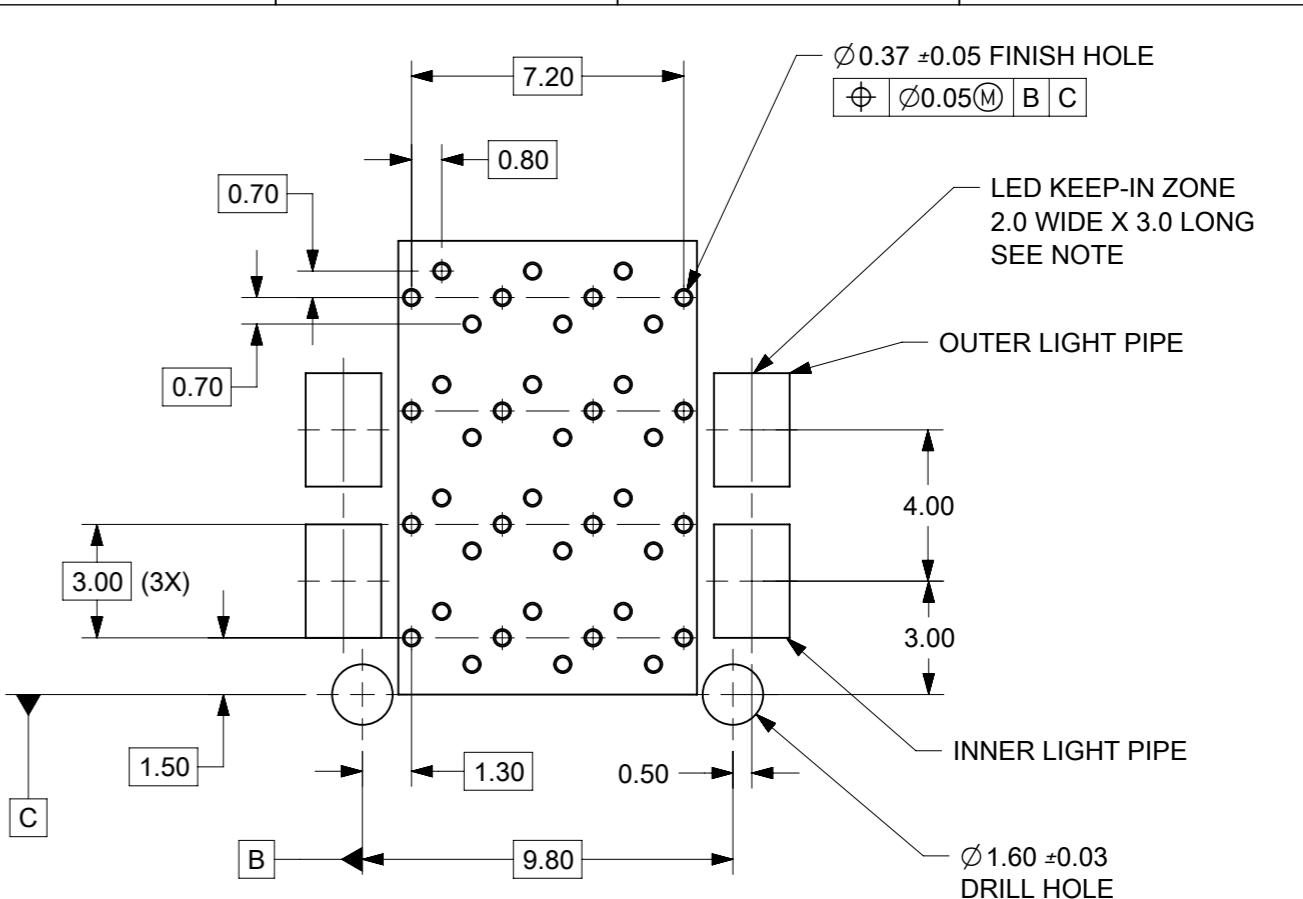
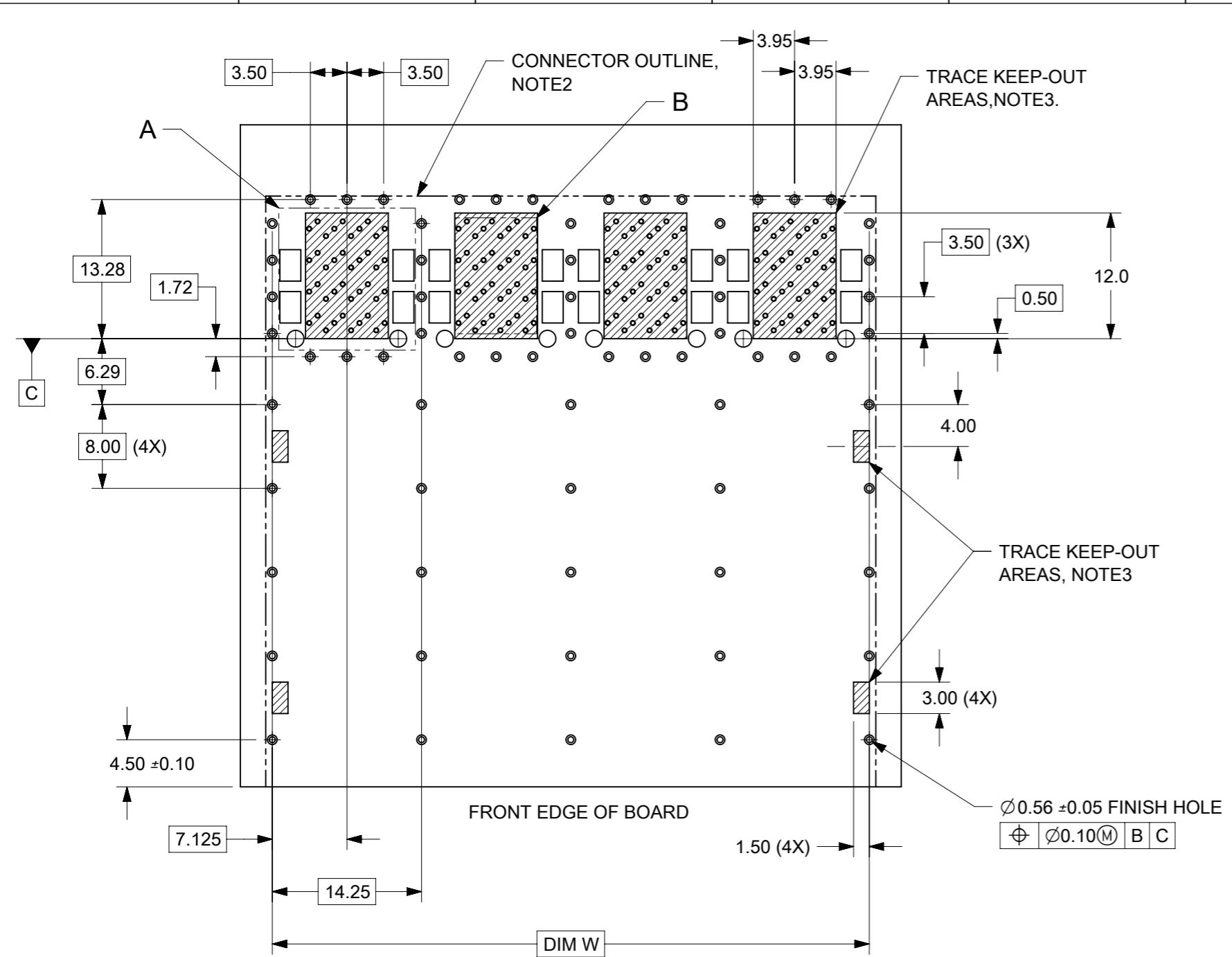
** DESIGNATES PORT SIZE

THIS DRAWING CONTAINS INFORMATION THAT IS PROPRIETARY TO MOLEX ELECTRONIC TECHNOLOGIES, LLC AND SHOULD NOT BE USED WITHOUT WRITTEN PERMISSION		CURRENT REV DESC: SEE REVISION HISTORY		molex	
DIMENSION UNITS mm	SCALE NTS	EC NO: 641619 DRWN: CWANG67 2019/11/25 CHK'D: JKACHLIC 2020/07/17 APPR: JKACHLIC 2020/07/17			
GENERAL TOLERANCES (UNLESS SPECIFIED)		INITIAL REVISION:		PRODUCT CUSTOMER DRAWING	
ANGULAR TOL	± 0.5°	DRWN: DTAN10 2018/03/01	APPR: SHONG 2018/03/06	DOCUMENT NUMBER 1700710002	DOC TYPE PSD
4 PLACES	±			DOC PART 000	REVISION A2
3 PLACES	±			SHEET NUMBER 2 OF 5	
2 PLACES	± 0.13				
1 PLACE	± 0.25				
0 PLACES	±				
DRAFT WHERE APPLICABLE MUST REMAIN WITHIN DIMENSIONS	THIRD ANGLE PROJECTION	DRAWING A3-SIZE	SERIES 170071	MATERIAL NUMBER SEE TABLE	CUSTOMER GENERAL MARKET

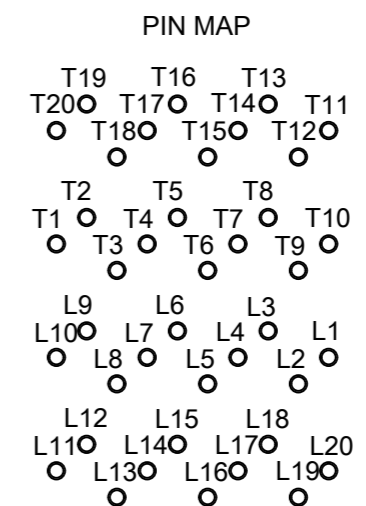
DOCUMENT STATUS P1 RELEASE DATE 2020/07/17 03:36:21

9 8 7 6 5 4 3 2 1

FORMAT: master-ib-prod-A3
REVISION: 11
DATE: 2018/01/18



DETAIL A
SCALE 5:1



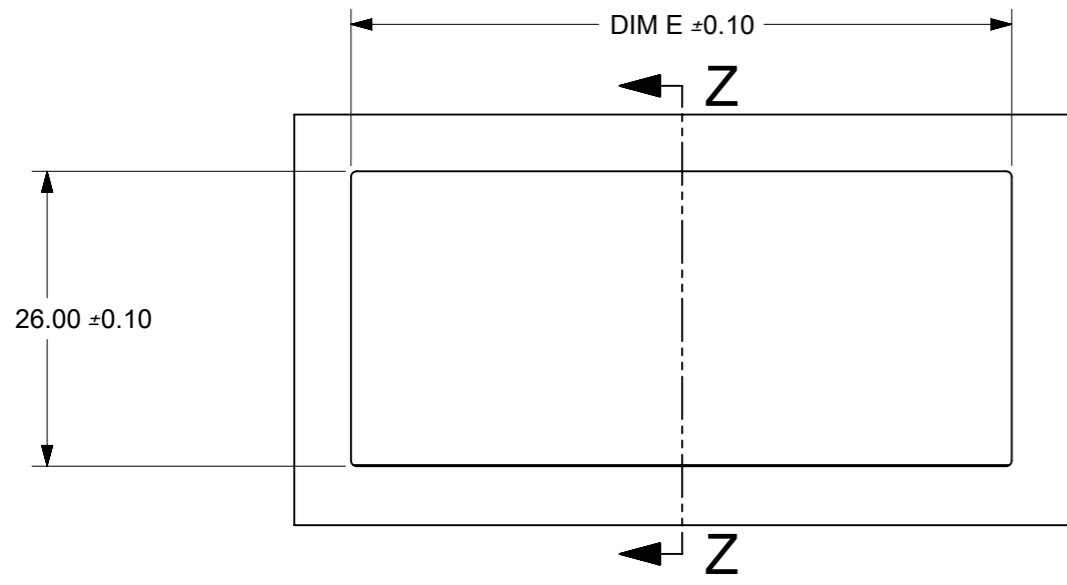
DETAIL B
SCALE 5:1

PORT SIZE	DIM W	HOLE CHART		
		SIGNALS (Ø0.37)	EMI CAGE (Ø0.56)	LOCATING PEG (Ø1.60)
2X1	14.25	40	24	2
2X2	28.50	80	39	4
2X4	57.00	160	69	8
2X6	85.50	240	99	12
2X8	114.00	320	129	16
2X12	171.00	480	189	24

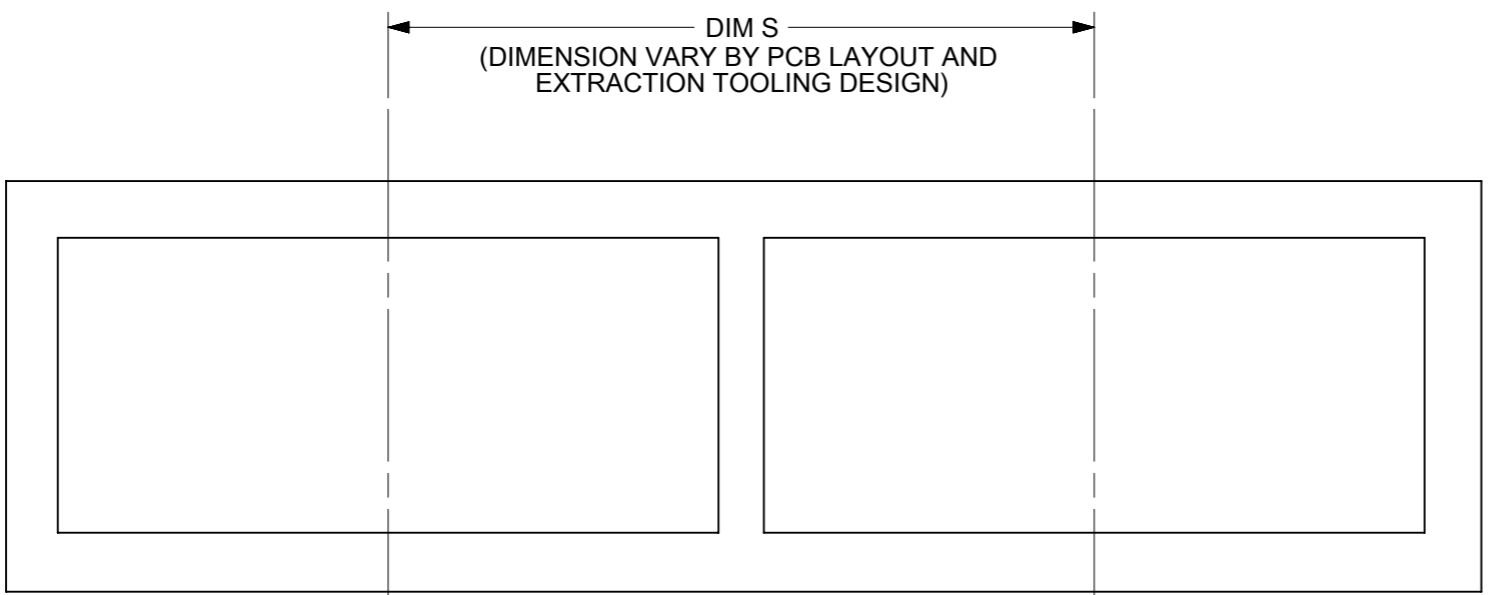
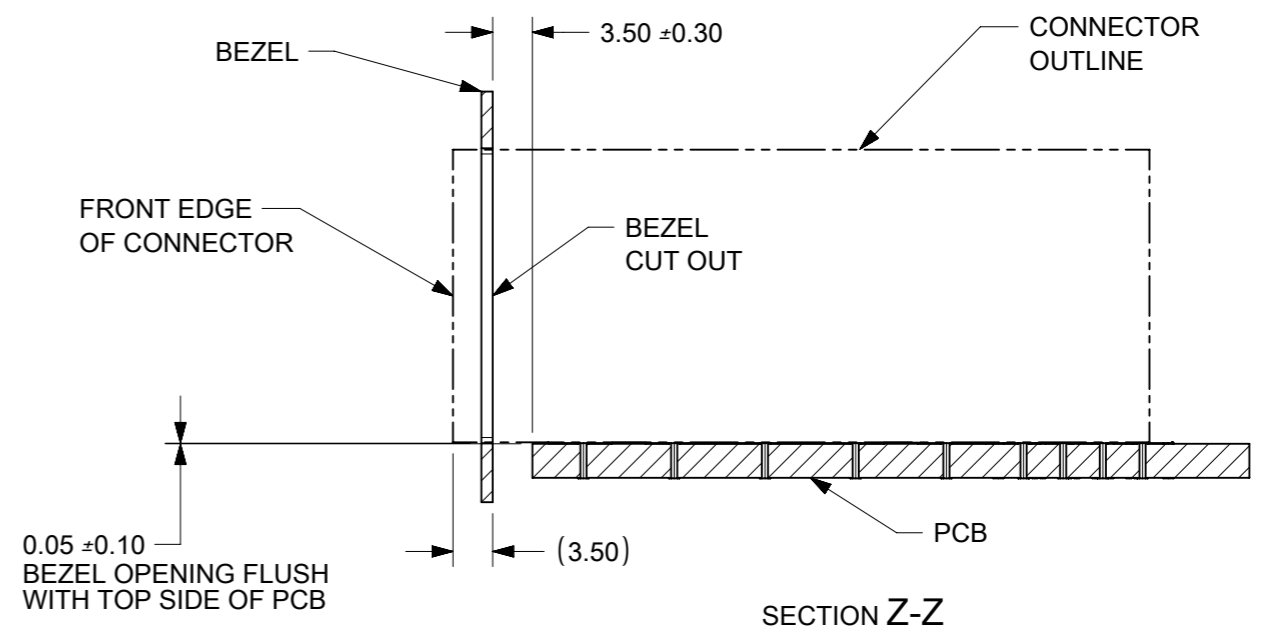
NOTE:
 1. LED PACKAGE SIZE AND POSITION SHALL NOT VIOLATE THE KEEP IN ZONE. LED PLACEMENT SHOULD BE CENTERED WITHIN THE ZONE FOR OPTIMAL LIGHT TRANSMISSION BUT MAY BE SAFELY OFFSET ±0.50.
 2. 1. THE ENTIRE AREA UNDER THE CONNECTOR IS A KEEP OUT ZONE FOR COMPONENTS AND TRACES, TOP LAYER ONLY, EXCEPT FOR CHASSIS GROUND.
 3. CROSS-HATCHED AREAS INDICATE PLACES WHERE THE PLASTIC HOUSING AND METAL CAGE MAY CONTACT PCB SURFACE. THESE AREAS ARE KEEP OUT ZONES. CROSS-HATCHED AREA UNDER THE CONNECTOR ARE TRACE AND VIA KEEP OUT AREAS FOR THE TOP LAYER.

THIS DRAWING CONTAINS INFORMATION THAT IS PROPRIETARY TO MOLEX ELECTRONIC TECHNOLOGIES, LLC AND SHOULD NOT BE USED WITHOUT WRITTEN PERMISSION

DIMENSION UNITS mm	SCALE NTS	CURRENT REV DESC: SEE REVISION HISTORY	molex		
GENERAL TOLERANCES (UNLESS SPECIFIED)		EC NO: 641619			
ANGULAR TOL ± 0.5°	4 PLACES ±	DRWN: CWANG67 2019/11/25	PRODUCT CUSTOMER DRAWING		
3 PLACES ±	2 PLACES ± 0.13	CHK'D: JKACHLIC 2020/07/17	DOCUMENT NUMBER		
1 PLACE ± 0.25	0 PLACES ±	APPR: JKACHLIC 2020/07/17	1700710002		
DRAFT WHERE APPLICABLE MUST REMAIN WITHIN DIMENSIONS	THIRD ANGLE PROJECTION	INITIAL REVISION: DRWN: DTAN10 2018/03/01 APPR: SHONG 2018/03/06	DOC TYPE	DOC PART	REVISION
			PSD	000	A2
		DRAWING: A3-SIZE	SERIES: 170071	MATERIAL NUMBER: SEE TABLE	CUSTOMER: GENERAL MARKET
					SHEET NUMBER: 3 OF 5



BEZEL CUT OUT DETAIL
BEZEL THICKNESS 0.8~2.6



BEZEL CUT OUT FOR
CONNECTOR STACKING

CONFIGURATION	DIM E	DIM S
2X1	15.50	20.40 MINIMUM
2X2	29.75	34.65 MINIMUM
2X4	58.25	63.15 MINIMUM
2X5	72.50	77.40 MINIMUM
2X6	86.75	91.65 MINIMUM
2X8	115.25	120.15 MINIMUM
2X12	172.25	177.15 MINIMUM

THIS DRAWING CONTAINS INFORMATION THAT IS PROPRIETARY TO MOLEX ELECTRONIC TECHNOLOGIES, LLC AND SHOULD NOT BE USED WITHOUT WRITTEN PERMISSION

DIMENSION UNITS mm	SCALE NTS	CURRENT REV DESC: SEE REVISION HISTORY	molex		
GENERAL TOLERANCES (UNLESS SPECIFIED)					
ANGULAR TOL	± 0.5°	EC NO: 641619	PRODUCT CUSTOMER DRAWING		
4 PLACES	±	DRWN: CWANG67 2019/11/25	DOCUMENT NUMBER		
3 PLACES	±	CHK'D: JKACHLIC 2020/07/17	1700710002		
2 PLACES	± 0.13	APPR: JKACHLIC 2020/07/17	DOC TYPE	DOC PART	REVISION
1 PLACE	± 0.25	INITIAL REVISION:	PSD	000	A2
0 PLACES	±	DRWN: DTAN10 2018/03/01	SHEET NUMBER		
DRAFT WHERE APPLICABLE MUST REMAIN WITHIN DIMENSIONS		THIRD ANGLE PROJECTION	DRAWING	SERIES	MATERIAL NUMBER
			A3-SIZE	170071	SEE TABLE
			CUSTOMER	GENERAL MARKET	
			4 OF 5		

9 8 7 6 5 4 3 2 1

REVISION HISTORY		
DATE	REV.	DESCRIPTION
2019/09/12	A1	1.ADDED REVISION HISTORY. 2.ADDED DATE CODE FORMAT IN NOTE8, SHEET1. 3.ADDED SIGNAL TAIL LENGTH OF SHORT, SHEET1.
		4.ADDED NOTE2&3, SHEET3
2019/11/25	A2	UPDATE PCB RECOMMENDED LAYOUT IN SHEET3, FROM CENTER TO SIDE 7.125, WAS 7.135.

THIS DRAWING CONTAINS INFORMATION THAT IS PROPRIETARY TO MOLEX ELECTRONIC TECHNOLOGIES, LLC AND SHOULD NOT BE USED WITHOUT WRITTEN PERMISSION									
DIMENSION UNITS	SCALE	CURRENT REV DESC: SEE REVISION HISTORY			molex				
mm	NTS								
GENERAL TOLERANCES (UNLESS SPECIFIED)		EC NO: 641619			ZSFP+ STACKED ASSY W/ ELASTOMERIC GASKET				
ANGULAR TOL	± 0.5 °	DRWN: CWANG67 2019/11/25							
4 PLACES	±	CHK'D: JKACHLIC 2020/07/17			PRODUCT CUSTOMER DRAWING				
3 PLACES	±	APPR: JKACHLIC 2020/07/17							
2 PLACES	± 0.13	INITIAL REVISION:			DOCUMENT NUMBER				
1 PLACE	± 0.25	DRWN: DTAN10 2018/03/01							
0 PLACES	±	APPR: SHONG 2018/03/06			1700710002		PSD	000	A2
DRAFT WHERE APPLICABLE MUST REMAIN WITHIN DIMENSIONS		THIRD ANGLE PROJECTION	DRAWING	SERIES	MATERIAL NUMBER	CUSTOMER	SHEET NUMBER		
			A3-SIZE	170071		GENERAL MARKET	5 OF 5		

DOCUMENT STATUS	P1	RELEASE DATE	2020/07/17	03:36:21
-----------------	----	--------------	------------	----------

9 8 7 6 5 4 3 2 1

FORMAT: master-ib-prod-A3
REVISION: 11
DATE: 2018/01/18