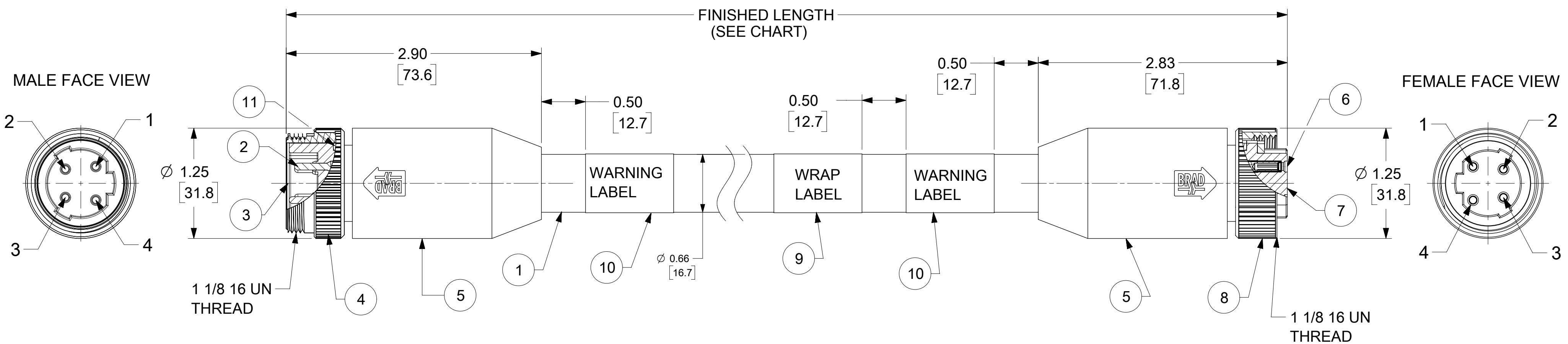
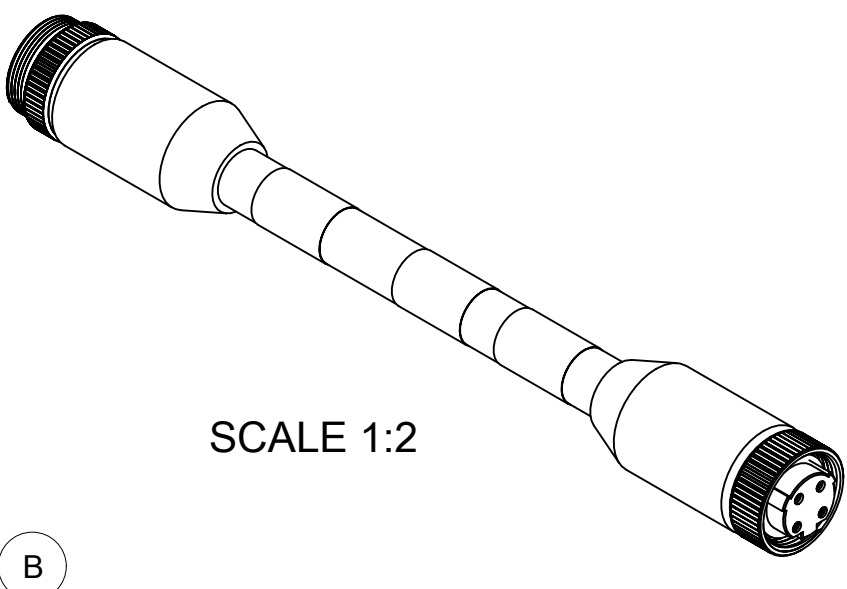


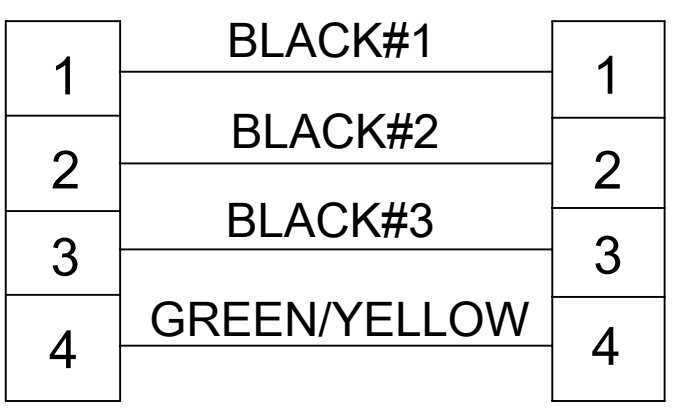
PART NO.	ENGINEERING NO.	FINISHED LENGTH	CABLE CODE	CABLE COLOR	CABLE TYPE
1300620301	334T30K09M010A3	3 FT. 3 IN. (1M)	09	YELLOW	STATIC
1300620306	334T30K09M100A3	10 FT. 9 IN. (10M)	09	YELLOW	STATIC
1300622004	334T30K09M240A3	78 FT. 8 IN. (24M)	09	YELLOW	STATIC
1300620322	334T30K36M020A3	6 FT. 7 IN. (2M)	36	BLACK	FLEX
1300620300	334T30K26M005A3	1 FT 7.7 IN (.5M)	26	BLACK	STATIC

TOLERANCE CHART					
FINISH LENGTH [FT]		TOLERANCE [IN]	FINISH LENGTH [M]		TOLERANCE [mm]
OVER	UNDER		OVER	UNDER	
0.00	.167	N/A	0.0	0.05	NA
.167	.500	+ .63 -0	0.05	0.15	+16 -0
.500	1.00	+ .75 -0	0.15	0.3	+19 -0
1.00	3.00	+1.75 -0	0.3	0.9	+44.5 -0
3.00	6.00	+2.19 -0	0.9	1.8	+55.6 -0
6.00	12.00	+3.50 -0	1.8	3.7	+88.8 -0
12.00	24.00	+6.50 -0	3.7	7.3	+165.1 -0
24.00	48.00	+12.50 -0	7.3	21.9	+317.5 -0
48.00	96.00	+24.50 -0	21.9	29.3	+622.3 -0
96.00	~	+2.00% -0	29.3	~	+2% OF FIN LGTH



- NOTE:
- 1) MATERIAL: SEE TABLE
 - 2) FINISHES: SEE TABLE
 - 3) ELECTRICAL DATA
MAX. VOLTAGE: IEC60664 500V
UL2237 600V
MAX. CURRENT: 25A
 - 4) ENVIRONMENTAL
PROTECTION: IP67 (WHEN MATED)
TEMPERATURE RATING: -40C TO +90C
 - 5) ASSEMBLY IS RoHS COMPLIANT
 - 6) UL LISTED FILE, CABLE TYPE K09: 258922
CABLE TYPE K36: PENDING
 - 7) DIMENSIONS ARE REFERENCE ONLY UNLESS OTHERWISE SPECIFIED

WIRING DIAGRAM



PART NUMBER MATRIX

334T30K09M010A3

CABLE TYPE

FINISH LENGTH
M001 = 0.1 METER
M010 = 1 METER
M100 = 10 METER

ITEM	DESCRIPTION	MATERIAL	FINISH
11	GASKET SEAL	SILICONE	LIGHT GRAY
10	WARNING LABEL	VINYL	MULTI COLOR
9	WRAP LABEL	VINYL	YELLOW
8	FEMALE COUPLING NUT	BRASS	NICKEL PLATED
7	4P FEMALE INSERT	TPE	BLACK
6	SOCKET CONTACT	BRASS	GOLD PLATED
5	OVER MOLD	TPE	GRAY
4	MALE COUPLING NUT	BRASS	NICKEL PLATED
3	4P MALE INSERT	TPE	BLACK
2	PIN CONTACT	BRASS	GOLD PLATED
1	12/4C AWG SHLD HIGH-FLEX, VFD	TPE JACKET, XLPE INSUL	SEE CHART
ITM	DESCRIPTION	MATERIAL	FINISH

FUNCTIONAL SYMBOLS	THIS DRAWING CONTAINS INFORMATION THAT IS PROPRIETARY TO MOLEX ELECTRONIC TECHNOLOGIES, LLC AND SHOULD NOT BE USED WITHOUT WRITTEN PERMISSION			
	DIMENSION UNITS	SCALE	CURRENT REV DESC: ITEM 5 WAS TPE. BOM, TEMP RATINGS, UL CERTIFIED FILE NO., VOLTAGE RATINGS & MAT. TABLE ARE UPDATED. MODIFIED TOL. TABLE	
	INCH/MM	1:1	EC NO: 656902	
	GENERAL TOLERANCES (UNLESS SPECIFIED)		DRWN: VHANDI 2020/05/26	
DIVISIONAL SYMBOLS	4 PLACES	±	±	CHK'D: MZIELINSKI 2021/06/25
	3 PLACES	±	±	APPR: BWOODMAN 2021/07/16
	2 PLACES	±	±	INITIAL REVISION:
	1 PLACE	±	±	DRWN: MZIELINSKI 2017/04/11
0 PLACES		±	±	APPR: BWOODMAN 2017/06/30
ANGULAR TOL		±	°	THIRD ANGLE PROJECTION
DRAFT WHERE APPLICABLE MUST REMAIN WITHIN DIMENSIONS		DRAWING		SERIES
		C-SIZE		130062

DOCUMENT NUMBER		DOC TYPE	DOC PART	REVISION
1300620301		PSD	000	B
MATERIAL NUMBER	CUSTOMER	SHEET NUMBER		
SEE TABLE	GENERAL MARKET	1 OF 1		