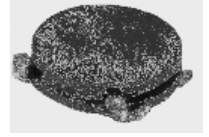
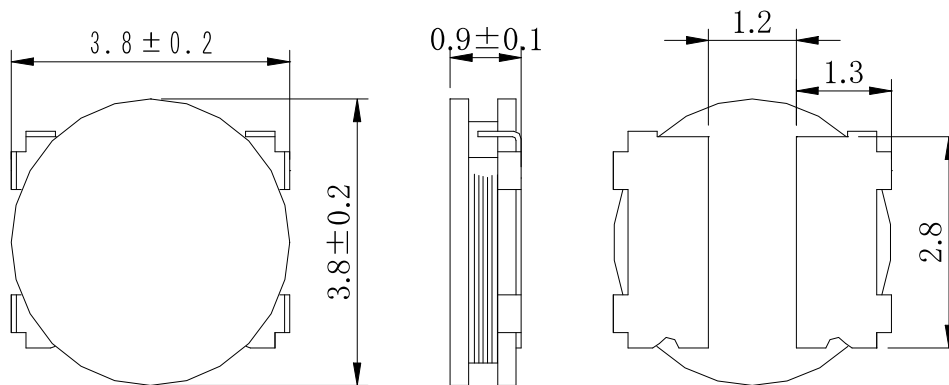
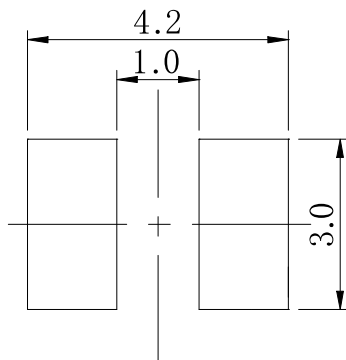


Type: CDH38D09, CDH38D09/SHP, CDH38D09/SLD
◆ Product Description

- 4.0×4.0mm Max.(L×W), 1.0mm Max. Height.
- Inductance range: 1.2~22 μ H (CDH38D09);
2.5~22 μ H (CDH38D09/SHP);2.7~33 μ H(CDH38D09/SLD),
- Rated current range:0.45~1.35A (CDH38D09);
0.52~1.6A (CDH38D09/SHP);0.3~1.08A (CDH38D09/SLD)
- Custom design is available.


◆ Feature

- Magnetically unshielded construction.
- Ideally used in Mobilephone,PDA,MP3,DSC/DVC,HDD,etc as DC-DC Converter inductors.
- RoHS Compliance

◆ Dimensions (mm)

◆ Land Pattern (mm)


Type: CDH38D09, CDH38D09/SHP, CDH38D09/SLD
◆ Specification(CDH38D09)

Part Name ※	Stamp	Inductance (μ H) 100kHz/1V	D.C.R.(Ω) Max.(Typ.) (20°C)	Saturation Current (A) ※1-1		Temperature Rise current (A) ※2
				20°C	105°C	
CDH38D09NP-1R2M□	1R2	1.2±20%	0.14(0.11)	1.90	1.60	1.35
CDH38D09NP-1R5M□	1R5	1.5±20%	0.16(0.13)	1.70	1.40	1.25
CDH38D09NP-2R2M□	2R2	2.2±20%	0.19(0.15)	1.50	1.25	1.15
CDH38D09NP-2R7M□	2R7	2.7±20%	0.21(0.17)	1.35	1.15	1.10
CDH38D09NP-3R3M□	3R3	3.3±20%	0.24(0.19)	1.25	1.00	1.00
CDH38D09NP-4R7M□	4R7	4.7±20%	0.30(0.24)	1.10	0.85	0.95
CDH38D09NP-6R8M□	6R8	6.8±20%	0.39(0.31)	0.90	0.72	0.85
CDH38D09NP-8R2M□	8R2	8.2±20%	0.50(0.40)	0.80	0.65	0.75
CDH38D09NP-100M□	100	10.0±20%	0.58(0.47)	0.7	0.60	0.70
CDH38D09NP-150M□	150	15.0±20%	0.87(0.69)	0.60	0.50	0.55
CDH38D09NP-220M□	220	22.0±20%	1.14(0.91)	0.50	0.40	0.45

◆ Specification (CDH38D09/SHP)

Part Name ※	Stamp	Inductance (μ H) 100kHz/1V	D.C.R.(m Ω) (20°C)	Saturation Current (A) ※1-2	Temperature Rise current (A) ※2
CDH38D09SHPNP-2R5M□	2R5	2.5±20%	110±20%	1.60	1.6
CDH38D09SHPNP-3R3M□	3R3	3.3±20%	132±20%	1.48	1.45
CDH38D09SHPNP-3R8M□	3R8	3.8±20%	165±20%	1.30	1.30
CDH38D09SHPNP-4R7M□	4R7	4.7±20%	185±20%	1.24	1.22
CDH38D09SHPNP-5R4M□	5R4	5.4±20%	245±20%	1.08	1.08
CDH38D09SHPNP-6R0M□	6R0	6.0±20%	270±20%	1.04	1.00
CDH38D09SHPNP-7R4M□	7R4	7.4±20%	335±20%	0.88	0.9
CDH38D09SHPNP-8R2M□	8R2	8.2±20%	365±20%	0.84	0.85
CDH38D09SHPNP-100M□	100	10±20%	472±20%	0.75	0.78
CDH38D09SHPNP-120M□	120	12±20%	543±20%	0.66	0.74
CDH38D09SHPNP-150M□	150	15±20%	612±20%	0.6	0.68
CDH38D09SHPNP-180M□	180	18±20%	896±20%	0.56	0.55
CDH38D09SHPNP-220M□	220	22±20%	983±20%	0.52	0.53

Type: CDH38D09, CDH38D09/SHP, CDH38D09/SLD
◆ Specification (CDH38D09/SLD)

Part Name ※	Stamp	Inductance (μ H) 100kHz/1V	D.C.R.(m Ω) (20 $^{\circ}$ C)	Saturation Current (A) ※1-2	Temperature Rise current (A) ※2
CDH38D09SLDNP-2R7M□	2R7	2.7 \pm 20%	98 \pm 20%	1.08	1.70
CDH38D09SLDNP-3R3M□	3R3	3.3 \pm 20%	110 \pm 20%	0.90	1.60
CDH38D09SLDNP-3R9M□	3R9	3.9 \pm 20%	125 \pm 20%	0.80	1.48
CDH38D09SLDNP-4R7M□	4R7	4.7 \pm 20%	140 \pm 20%	0.76	1.40
CDH38D09SLDNP-5R4M□	5R4	5.4 \pm 20%	175 \pm 20%	0.74	1.20
CDH38D09SLDNP-6R4M□	6R4	6.4 \pm 20%	195 \pm 20%	0.70	1.16
CDH38D09SLDNP-6R8M□	6R8	6.8 \pm 20%	210 \pm 20%	0.66	1.12
CDH38D09SLDNP-8R2M□	8R2	8.2 \pm 20%	274 \pm 20%	0.60	0.98
CDH38D09SLDNP-100M□	100	10 \pm 20%	320 \pm 20%	0.57	0.92
CDH38D09SLDNP-120M□	120	12 \pm 20%	385 \pm 20%	0.50	0.85
CDH38D09SLDNP-150M□	150	15 \pm 20%	439 \pm 20%	0.46	0.78
CDH38D09SLDNP-180M□	180	18 \pm 20%	588 \pm 20%	0.42	0.68
CDH38D09SLDNP-220M□	220	22 \pm 20%	650 \pm 20%	0.37	0.62
CDH38D09SLDNP-270M□	270	27 \pm 20%	930 \pm 20%	0.33	0.55
CDH38D09SLDNP-330M□	330	33 \pm 20%	1049 \pm 20%	0.30	0.50

※ Description of part name

CDH38D09SHPNP-2R5M□
└─ B Box
└─ C Carrier Tape

※1-1.Saturation Current: The DC current at which the inductance decreases to 65% of its nominal value.

※1-2.Saturation Current: The DC current at which the inductance decreases to 70% of its nominal value.

※2 Temperature rise current: The DC current at which the temperature rise is $\Delta t=40^{\circ}\text{C}$ ($T_a=20^{\circ}\text{C}$)