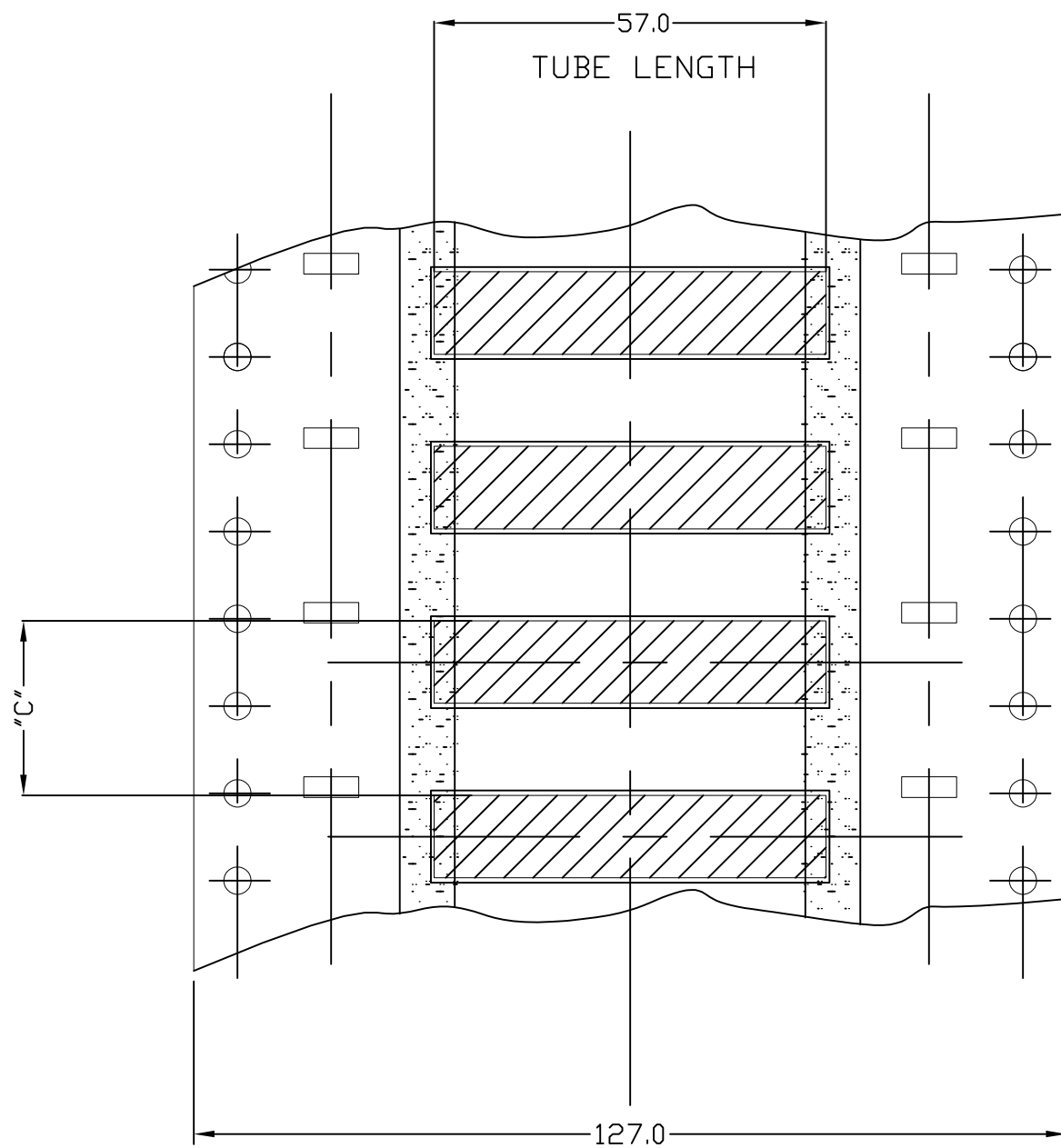


THIS DRAWING IS UNPUBLISHED. RELEASED FOR PUBLICATION  
 © COPYRIGHT - TE Connectivity, SWINDON, UK ALL RIGHTS RESERVED.

LOC	DIST	REVISIONS					
		P	LTR	DESCRIPTION	DATE	DWN	APVD
-	-	1		INITIAL DRAWING	24OCT2011	AFK	MA

### LAYING DIAGRAM



PRODUCT CODE (FIRST 5 DIGITS)	MATERIAL TUBE SPACING	
	No. TUBES AT "C" PITCH	"C" TUBE POSITION PITCH
HS024 / HC024	20	12.7
HS032 / HC030	20	12.7
HS048 / HC050	20	12.7
HS064 / HC060	10	25.4
HS095 / HC090	10	25.4
HS127 / HC120	5	50.8
HS190 / HC180	5	50.8
HS254 / HC240	5	50.8
HS381 / HC390	2	127

### NOTES:-

1. NO ACCUMULATIVE PITCH ERROR THROUGH PACK IS ACCEPTABLE
2. PACKAGING AS REQUIRED

THIS DRAWING IS A CONTROLLED DOCUMENT.		DWN AFK	24OCT2011	TE Connectivity	
DIMENSIONS: mm		CHK -	-		
		TOLERANCES UNLESS OTHERWISE SPECIFIED:		PRODUCT SPEC -	
MATERIAL IRRADIATED POLYOLEFIN		FINISH -		APPLICATION SPEC -	
		WEIGHT -		SIZE A3	CAGE CODE ----
		CUSTOMER DRAWING		DRAWING NO C-1900N0032	RESTRICTED TO -
		SCALE ---		SHEET 1 OF 1	REV 1