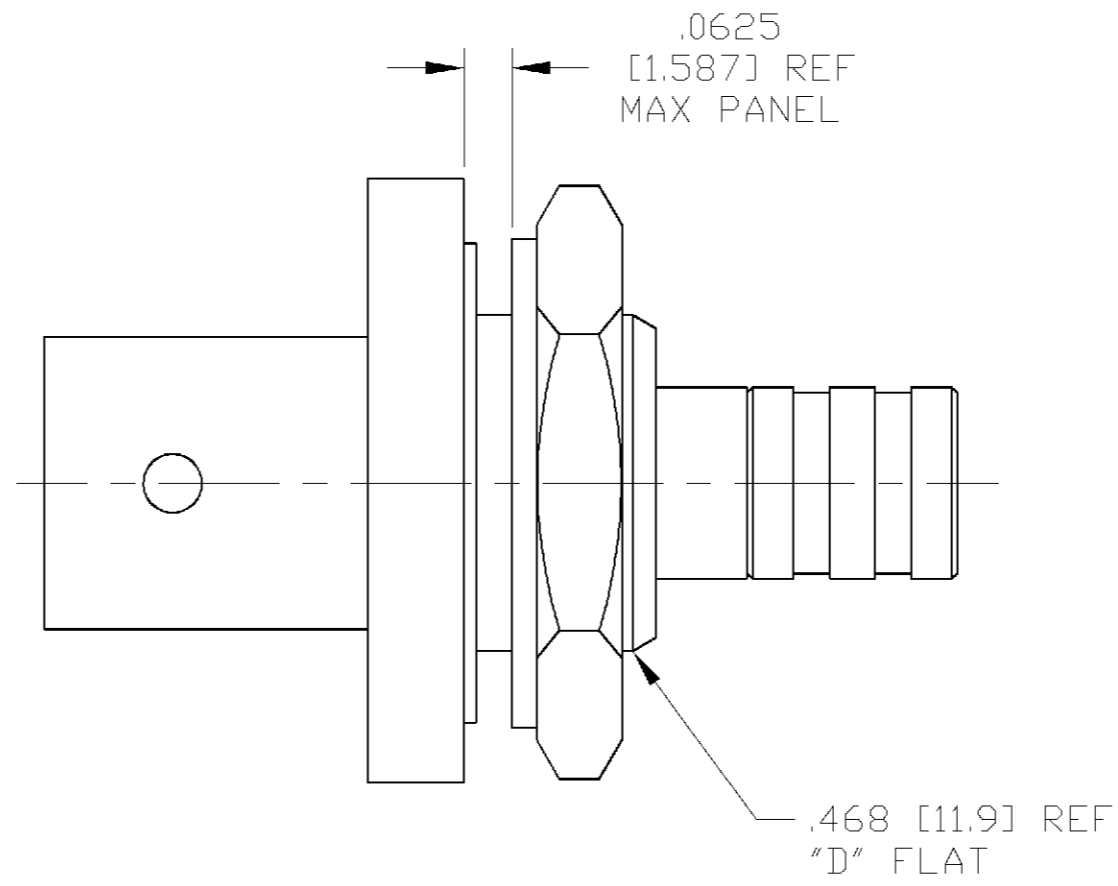


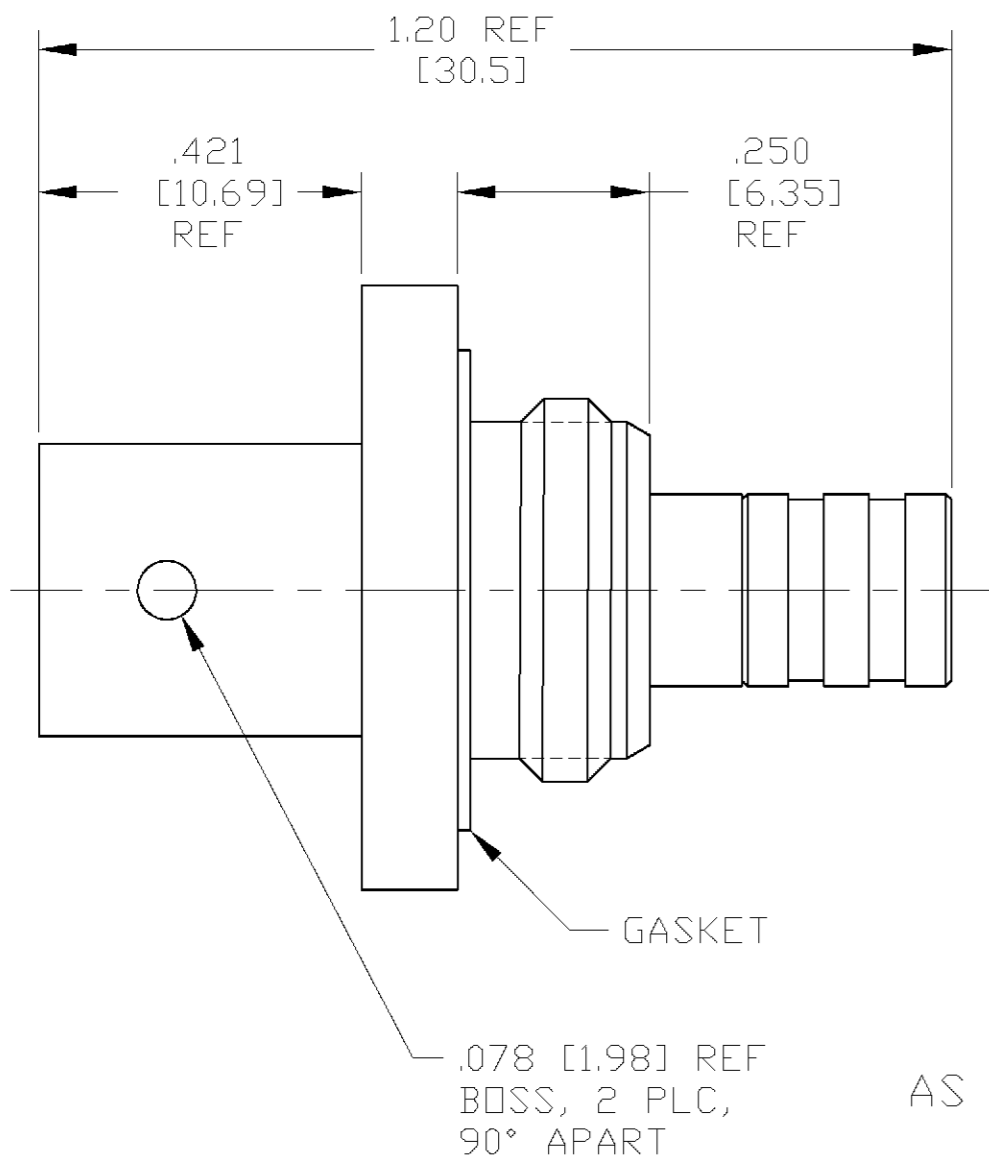
THIS DRAWING IS UNPUBLISHED. RELEASED FOR PUBLICATION N/A , N/A .
 © COPYRIGHT N/A BY TYCO ELECTRONICS CORPORATION. ALL RIGHTS RESERVED.

LOC	DIST	REVISIONS					
DF	X0	P	LTR	DESCRIPTION	DATE	DWN	APVD
		0		RELEASED	4-02	CT	RG

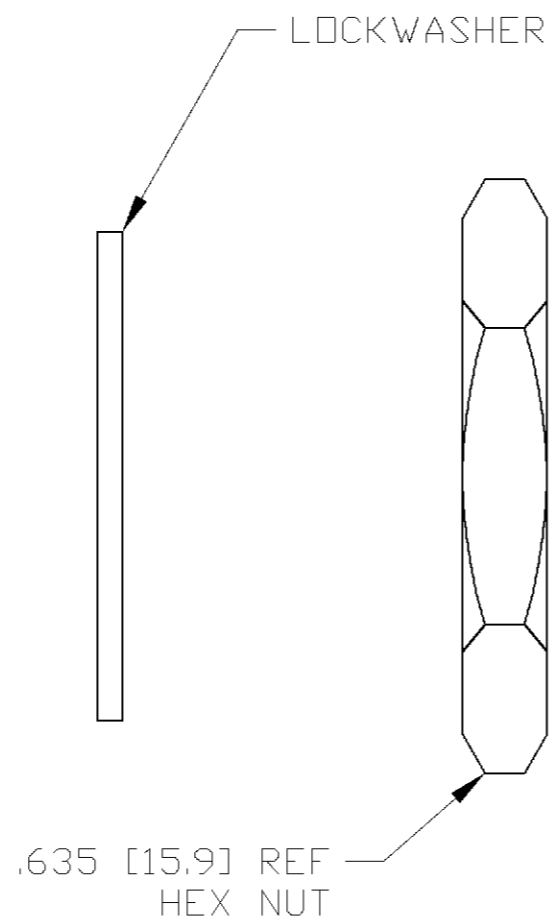
COMPONENT	MATERIAL	FINISH
JACK BODY MOUNTING NUT	BRASS PER ASTM-B-16 1/2 HARD	GOLD PLATED PER ASTM-B-488
DIELECTRIC	PTFE FLUORCARBON PER ASTM-D-1457	-
CENTER CONTACT	BERYLLIUM COPPER PER ASTM-B-196 OR ASTM-B-197 ALLOY C17300, CONDITION H	GOLD PLATED PER ASTM-B-488
SLEEVE	STAINLESS STEEL PER ASTM-A-484 OR ASTM-A-582 TYPE 303	GOLD PLATED PER ASTM-B-488
LOCKWASHER	PHOSPHOR BRONZE PER QQ-B-750 GRADE B2	GOLD PLATED PER ASTM-B-488
GASKET	SILICONE RUBBER PER ZZ-R-765	-



ASSEMBLED VIEW



AS RECEIVED



THIS DRAWING IS A CONTROLLED DOCUMENT.		DWN	C.C.THOMAS	4-17-02	 Tyco Electronics Corporation Harrisburg, Pa 17105-3608
DIMENSIONS:		CHK	R.GROSS	4-17-02	
INCHES [mm]		APVD	R.GROSS	4-17-02	
		PRODUCT SPEC			
TOLERANCES UNLESS OTHERWISE SPECIFIED:		NAME		OSB JACK TO OSMB JACK ADAPTER,RF	
0 PLC ± -		SIZE		CAGE CODE	DRAWING NO
1 PLC ± -		A2		00779	C=1484361
2 PLC ± -		WEIGHT		RESTRICTED TO	
3 PLC ± -		-		-	
4 PLC ± -		CUSTOMER DRAWING		SCALE	SHEET
ANGLES ± -		SCALE		4:1	1 OF 1
FINISH		REV		0	
SEE TABLE		SEE TABLE			

1484361-1
PART NO.

1484361

A