



PRELIMINARY

Description

The NCD1015-LGA is a read/write module to be used in HDX contact-less RFID devices for single transponder applications in the area of electronic animal identification, operating in the low frequency (134.2 kHz) range, and supporting ISO 11784/85 standards.

The NCD1015-LGA contains an ASIC and 2 internal capacitors: one, a resonant capacitor, and the other a storage capacitor. The ASIC contains 4 memory blocks of 33 bits each, based on field programmable, non-volatile EEPROM. Each block contains 32 data bits (bit 1 ... bit 32). Each of the blocks can be write-protected through an associated lock bit, which is bit 0 of the corresponding block. Blocks 1 and 2 are referred to as the 64-bit identification data page 1 which is secured by an associated 16-bit CRC. Blocks 0 and 7 contain configuration parameters, as well as the option to irreversibly lock the RFID device.

The HDX transponder IC receives Write-Block requests from the reader as a pulse interval encoded, 100% amplitude modulated data signal.

Return data transmission from the transponder to the reader utilizes FSK encoded modulation. This is achieved by a serial data stream controlled Frequency Shift Keying (FSK) of the transponder's resonant circuit oscillation with an additional on-chip modulation capacitor between the two transponder terminals HF and GND. The passive transponder uses the supplied RF signal to obtain the energy needed to send the 64-bit ID code to the reader.

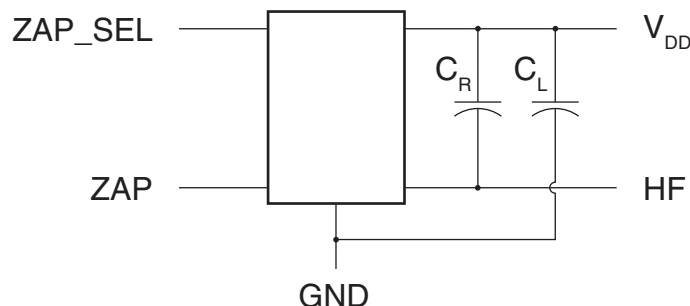
Features

- Air Interface Contact-Less, Sequential Power & Data Transmission (HDX)
- Radio Frequency Center Frequency 134.2 kHz Typically
- Reader ⇒ Tag Transmission Pulse Interval Encoding (PIE) ~1 to 2kBits/s
- Tag ⇒ Reader Transmission FSK Modulation, NRZ: "0" ~134.2kHz; "1" ~124.2kHz
- Tag ⇒ Reader Data Rate RF/16 (~8kBits/sec)
- On-Chip 16-Bit CRC Generator Reverse CRC-CCITT as used in ISO/IEC 11785
- On-Chip Integrated Modulation Cap. C_1 Reverse CRC-CCITT as used in ISO/IEC 11785
- Resonance Capacitor, C_R 470pF, ±2%, 50V External SMD NP0 / C0G Capacitor
- Storage Capacitor, C_L 220nF, ±5%, 10V Capacitor
- Identification Data Page 64 Bits Data + Associated 16 Bits CRC

Ordering Information

Part #	Package
NCD1015-LGA	Contact-less RFID device supporting ISO 11784/85 standards

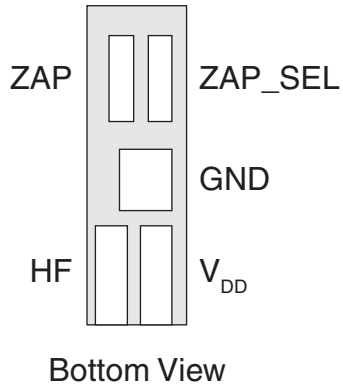
NCD1015-LGA Block Diagram



1. Specifications	3
1.1 Package Pinout	3
1.2 Pin Description	3
2. Electrical Data	3
2.1 Operating Conditions	3
2.2 Electrical Specifications	3
3. Application Information	4
4. Functional Overview and Description	4
4.1 Power Transfer	4
4.2 Communication Signal Interface - Tag to Reader	5
4.2.1 Frequency	5
4.2.2 Transponder Data Rate and Data Coding	5
4.3 Communication Signal Interface - Reader to Tag	5
4.3.1 Modulation	5
4.3.2 Reader Data Rate and Data Coding	5
4.3.3 Modulation	6
4.4 Write Phase and the Programming of Data	7
5. Transmission Protocol	8
5.1 Data Format Definitions	8
5.1.1 Reader Command - Request Format	8
5.1.2 Transponder - Response Data Format	9
5.2 CRC-CCITT ERROR CHECKING	10
6. Memory	10
6.1 Memory Block	10
6.1.1 Page 1 - Identification Data	10
6.1.2 Page 4 - Configuration Register + Management Register	10
7. Manufacturing Information	12
7.1 Moisture Sensitivity	12
7.2 ESD Sensitivity	12
7.3 Reflow Profile	12
7.4 Board Wash	12
8. Mechanical Data	13
8.1 Dimensions	13

1. Specifications

1.1 Package Pinout



1.2 Pin Description

Pin Name	Description
V _{DD}	Voltage Supply
GND	Ground
HF	Oscillating Signal
ZAP_SEL	Clock for the trimming
ZAP	Voltage for the trimming

2. Electrical Data

2.1 Operating Conditions

Parameter	Minimum	Maximum	Unit
Operating Temperature, T _A	-25	+70	°C
Storage temperature, T _{STG}	-40	+100	°C

2.2 Electrical Specifications

Unless otherwise specified, minimum and maximum values are guaranteed by production testing or design. Typical values are characteristic of the device at 25°C, and are the result of engineering evaluations. They are provided for informational purposes only and are not guaranteed by production testing.

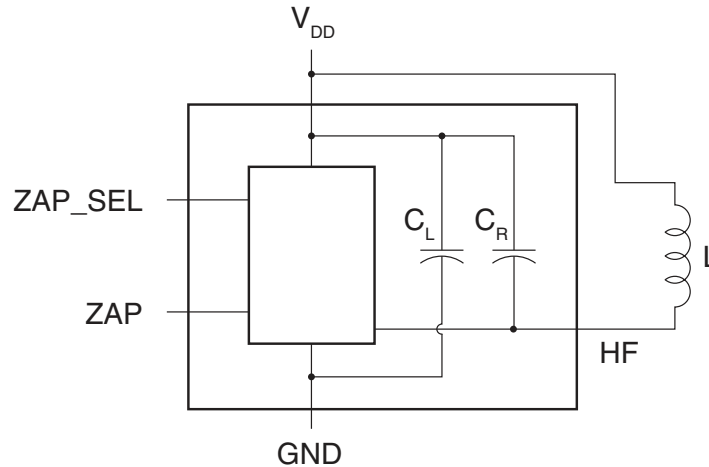
Parameter	Conditions	Minimum	Typical	Maximum	Unit
HF Limiter Current	V _{HF} =5V	-	-	4	μA
HF Maximum Voltage	I _{HF} =10mA	-	-	12	V
Quiescent Current Consumption	V _{DD} =5.5V	-	-	5	μA
Default HF Capacitor	-	-	580	-	pF
Modulation Capacitor	-	-	110	-	pF
Endurance	-	100	-	-	kHz
Data Retention	-	10	-	-	Years

3. Application Information

NCD1015-LGA is designed to be used in a complete RFID HDX. For the RFID front-end to operate, only one inductor is needed, to operate as an antenna.

Figure 1 shows the NCD1015-LGA and the connections with the external component. ZAP and ZAP_SEL pins are used only for resonance frequency trimming, not for the final application. Typical value for inductor “L” = 2.41 mH.

Figure 1: Application Diagram

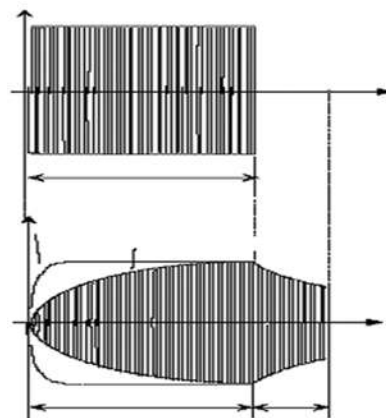


4. Functional Overview and Description

4.1 Power Transfer

Power transfer to the tag is accomplished by radio frequency through coupling antennas in the transponder and the reader. The reader and transponder operate in a sequential mode with time-separated power and data transmission cycles. The RF operating field supplies power at the beginning of the request from the reader to the HDX transponder. During the charge (or powering phase) of between 15 and typically 50 ms the reader generates an electromagnetic field with a frequency of 134.2 kHz. The resonant circuit of the transponder is energized and the induced voltage is rectified by the integrated circuit to charge the capacitor C_L. The transponder detects the end of the charge burst (EOB) and transmits data using Frequency Shift Keying (FSK), utilizing the energy stored in the capacitor C_L. The charge phase is followed directly by the read phase.

Figure 2: Charge and Read Phase - Voltage at the Reader's Exciter and Transponder Coil



4.2 Communication Signal Interface - Tag to Reader

4.2.1 Frequency

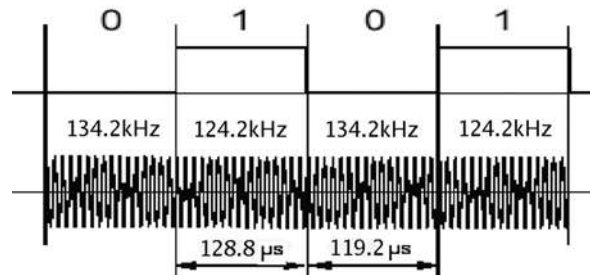
The tag shall be capable of communicating with the reader via an inductive coupling, whereby the power is switched off and the data are FSK modulated using the frequencies:

- $f_0 = 134.2\text{kHz}$ for the Data “Low Bit” Encoding (ISO 11785 tolerance)
- $f_1 = 124.2\text{kHz}$ for the Data “High Bit” Encoding (ISO 11785 tolerance)

f_1 represents the frequency for a data bit '1' ($t_{d1}=16/f_1$) and f_0 for the data bit '0' ($t_{d0} = 16/f_0$).

The low and high bits have different duration, because each bit takes 16 RF cycles to transmit. The high bit has a typical duration of $\sim 130\mu\text{s}$, the low bit of $\sim 120\mu\text{s}$. Figure 3 shows the FSK encoding principle used.

Figure 3: FSK Transmission Used During the Read Phase



4.2.2 Transponder Data Rate and Data Coding

The data coding is based on the NRZ method, thus achieving an average data rate of $\sim 8\text{kb/s}$ based on an equal distribution of '0' and '1' data bits.

4.3 Communication Signal Interface - Reader to Tag

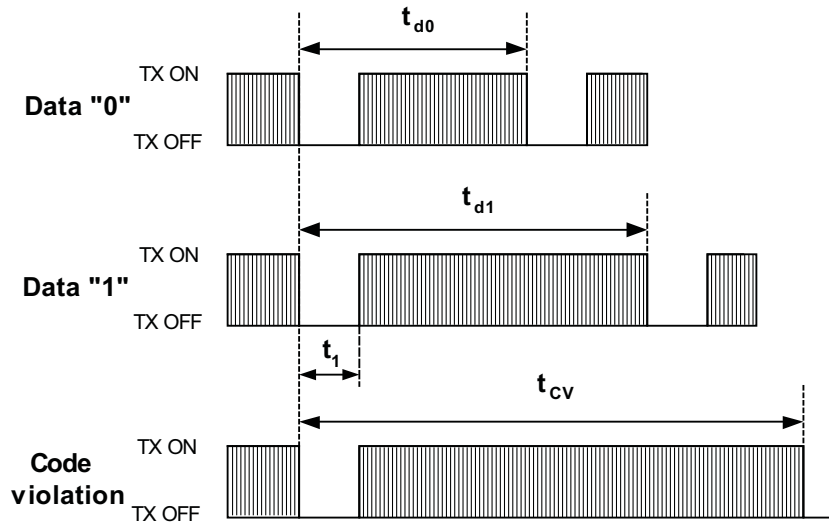
4.3.1 Modulation

Communication between reader and transponder takes place using ASK modulation of the RF field with a modulation index of $\sim 100\%$. The carrier frequency of the RF operating field is $f_c = 134.2\text{ kHz}$.

4.3.2 Reader Data Rate and Data Coding

The reader to transponder communication uses Pulse Interval Coding (PIC). The reader creates pulses by switching the carrier on and off as described below. The modulation index of this amplitude modulation is 90% to 100%. The time between the falling edges of the pulses determines either the value of the data bit, "0" or "1", a Code violation, or a Stop (EOF) condition. t_1 separates the single intervals. Its duration is $t_1 \leq 40 \cdot t_c$.

Figure 4: Reader to Tag - Pulse Interval Modulation and Encoding



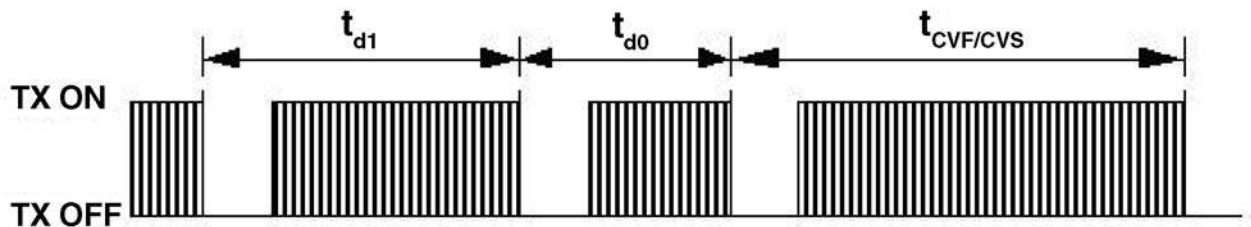
Symbol	Fast Data Rate		
	Minimum	Nominal	Maximum
t _{d0}	42 t _C	47 t _C	52 t _C
t _{d1}	62 t _C	67 t _C	72 t _C
t _{CVF} / t _{CVS}	175 t _C	180 t _C	185 t _C
t _C = 1/f _C ≈ 7.452μs			

The default PIC threshold is configured for a medium data rate of 2.35 kbit/s, realized for example with a low bit period of t_{d0} = 350 μs and a high bit period of t_{d1} = 500 μs. The regenerated clock is available continuously during t₁.

4.3.3 Modulation

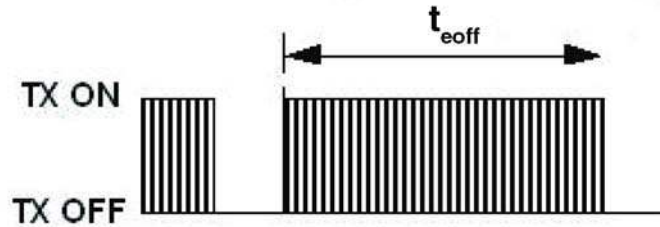
Communication between reader and transponder takes place using ASK modulation of the RF field with a modulation index of ~100%. The carrier frequency of the RF operating field is f_C = 134.2kHz.

Figure 5: Reader to Tag - Encoding of Start of Frame



The End of Frame (EOF) condition of any reader request is defined as the rising edge of the RF field followed by an RF field activation time (T_{eff}) longer than the maximum T_{d1} value (72 clock cycles).

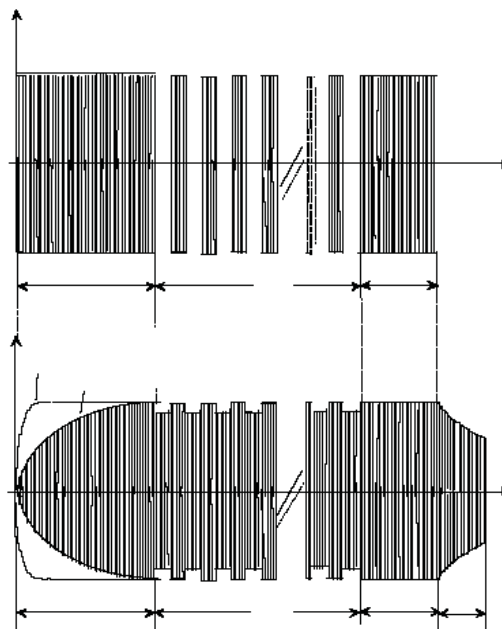
Figure 6: Reader to Tag - Encoding of End of Frame



4.4 Write Phase and the Programming of Data

A new identification number can be programmed into the OTP transponder in the following manner: After the charge phase, the transponder enters the write mode provided that the reader starts to modulate the field by switching the transmitter on and off. Writing means that the transponder shifts the received bits into an internal shift register. After the write phase the reader's transmitter is switched on for the EEPROM programming time in order to energize the process of programming the shift register's data into the EEPROM. Each 33 data bits of a block, including the lock bit, are programmed simultaneously into the EEPROM.

Figure 7: Charge, Write, and Program - Voltage at the Reader and Transponder Antenna Coil



As illustrated in Figure 7 the EEPROM programming sequence consists of:

- **Charge phase** Continuous reader (RF Module) transmitter output signal
- **Write phase** Pulse interval encoding of the reader's transmitter output signal
- **Programming phase** Continuous RF transmitter output
- **Read phase** FSK modulation of the transponder's resonant circuit oscillation

5. Transmission Protocol

The transmission protocol defines the mechanism to exchange requests and data between the reader and the transponder. The reader always starts the transmission, and the transponder does not start transmitting its response until the reader's RF field is turned off.

The different data exchanges that can happen between reader and transponder are summarized in the lines below:

The requests that can be performed by the transponder built using the NCD1015-IC are as follows:

Charge-Only Read

The content of page 1 is read without any specific page address by just charging (powering-up) the transponder for up to 50 ms.(ISO 11785 compatibility mode).

Write Block

Following the command and the block address, the lock bit(s) and the 32 data bits to be programmed with the associated 16 CRC bits are sent to the transponder. The 32 data bits together with the associated lock bit are written into the specified block simultaneously. Transponder response starts after the RF field is turned off.

Note: Each data block can be locked by setting the associated lock bit in order to create a read-only access and to disable further re-programming of this block.

Note: After writing block 1 and block 2, it is recommended to send a Charge Only Read command to verify successful writing.

5.1 Data Format Definitions

5.1.1 Reader Command - Request Format

A Charge-Read Only request is generated by just charging the transponder: The demodulator must start working once the reader stops generating the electromagnetic field. It counts the number of cycles while the electromagnetic field is low, if that number t_1 is larger than $40 \cdot t_C$, the tag will respond to a Charge-Read Only request.

If the t_1 duration is not larger than $40 \cdot t_C$, the system has to wait for a Reader Request Frame (RRF).

The Reader Request Frame Format as sent by the reader is shown in Figure 8.

Figure 8: Reader Request Frame Format

SOF	COM		ADR	DATA		CRC		EOF	
-	0	3	4	7	8-LSB	39	40-LSB	55	-

- **Charge phase**Continuous reader (RF Module) transmitter output signal
- **Write phase**Pulse interval encoding of the reader's transmitter output signal
- **Programming phase**Continuous RF transmitter output
- **Read phase**FSK modulation of the transponder's resonant circuit oscillation

The length of the frame varies with the different commands.

The NCD1015-IC first evaluates the command byte which consists of an address field in the MSN (Most Significant Nibble) and a 4-bit command code of the incoming RRF. All other bit combinations may be considered as illegal. The RRF Normal Mode command details are listed in the following table.

ADDRESS		COMMAND	DESCRIPTION
MSB		LSB	
			Write
0000		0010	Write Block 0 - Management Register
0001		0010	Write Block 1 - Identification Data / LSB
0010		0010	Write Block 2 - Identification Data / MSB
0111		0010	Write Block 7 - Configuration Register
			Write & Lock
0000		1010	Write & Lock Block 0 - Management Register
0001		1010	Write & Lock Block 1 - Identification Data / LSB
0010		1010	Write & Lock Block 2 - Identification Data / MSB
0111		1010	Write & Lock Block 7 - Configuration Register

5.1.2 Transponder - Response Data Format

Any RFID answer is framed as shown in Figure 9, and it has a fixed length of 112 bits. Depending on the type of answer, the STOP and POST bits change.

Figure 9: Tag Response Frame Format

Start		Data		CRC		Stop		Post	
1	8	9 (LSB)	72	73 (LSB)	88	89	96	97	112

All signals are coded [MSB:LSB].

- START - Start Byte [7:0] = 7Ehex
- DATA - Data [63:0]. = Data
- CRC - DCRC [15:0]. = Data CRC
- STOP - Stop Byte [7:0] = ADDRESS + STATUS - in all other cases, page status information
- POST - Post Bits [15:0]. = 0000hex

STOP Byte content answering a CRO

The content of page 1 is sent during the response (ISO 11785 compatibility mode). The Stop Byte information will be coded following the table shown below.

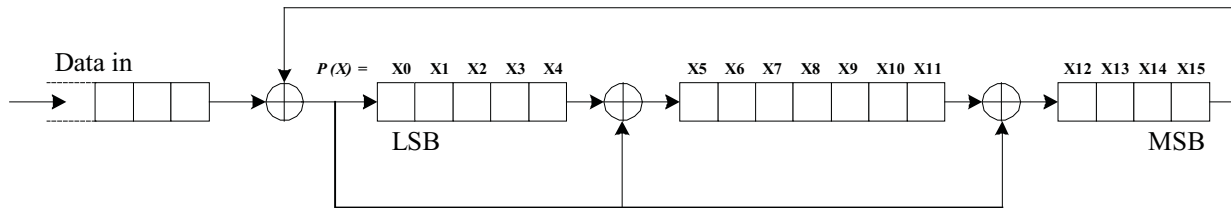
ADDRESS		STATUS	DESCRIPTION
MSB		LSB	
0001		0010	Page Unlocked
0001		1110	Block 1 (LSB) Locked + Block 2 (MSB) Unlocked
0001		1010	Block 1 (LSB) Unlocked + Block 2 (MSB) Locked
0111		1110	Block 1 (LSB) Locked + Block 2 (MSB) Locked + BIT16 ISO11785=0
0001		1110	Block 1 (LSB) Locked + Block 2 (MSB) Locked + BIT16 ISO11785=1

5.2 CRC-CCITT ERROR CHECKING

The CRC error checking circuitry generates a 16-bit CRC to ensure the integrity of transmitted and received data packets. The reader and transponder use the CRC-CCITT (Consultative Committee for International Telegraph and Telephone) for error detection.

The 16-bit Write Frame BCC is generated by the transponder on reception of the complete write data stream to validate the correct data transmission.

Figure 10: Schematic Diagram of the 16-Bit CRC-CCITT Generator



The 16 bits cyclic redundancy code is calculated using the following polynomial with an initial value of 0000hex:

$$P(X) = x^{16} + x^{12} + x^5 + x^0$$

The implemented version of the CRC check has the following characteristics:

- Reverse CRC-CCITT 16 as described in ISO/IEC 13239 and used in ISO/IEC 11784/11785
- The CRC 16-bit shift register is initialized to all zeros at the beginning of a request
- The incoming data bits are XOR-ed with the MSB of the CRC register, and are shifted into the register's LSB
- After all data bits have been processed, the CRC register contains the CRC-16 code
- Reversibility - The original data together with associated CRC, when fed back into the same CRC generator will regenerate the initial value (all zero's)

6. Memory

6.1 Memory Block

The memory is structured into 8 Blocks of 32 bits each. In addition a Lock Bit is provided as Bit 0 corresponding to each Block. Two Blocks form one Page, of which 2 exist. The following table shows the memory organization.

Block Address	Page Address	Description
0	4	Management Register / MSB
1	1	Identification Data / LSB
2		Identification Data / MSB
7	4	Configuration Register / LSB

6.1.1 Page 1 - Identification Data

Page 1 is used for the Identification Data as specified in ISO/ IEC 11784. This page is locked if the Lock Bits of the corresponding Blocks are set to "1". If the Page is locked, the stored value can not be overwritten.

6.1.2 Page 4 - Configuration Register + Management Register

Page 4 consists of Block 0, which is the Management Register, as the Most Significant Bits and the Block 7, which is the Configuration Register as the Least Significant Bits of it. This Page is locked if the Lock Bits of the corresponding Blocks are set to "1". If the Page is locked, the stored value can not be overwritten.

Configuration Register

The configuration register (CREG) layout is depicted in Figure 11.

If the flag DISCH is '1' and the system is in 'Normal Mode', the storage capacitance is not going to be discharged. The trimming bits specify the trimming vector for the capacitor in the analog part.

Figure 11: Configuration Register (CREG) Layout

		DISCHG							LOCK
32		30							0

LOCK: Lock bit

DISCH: Discharge (0=discharge, 1=no discharge)

Management Register

The management register (MREG) contains information about the current state of the system.

Figure 12: Management Register (MREG) Layout

xx							MGM Key		LOCK
32							4	1	0

LOCK: Lock bit

XX: Undefined

MGM Key: Management key [3:0]

The contents of the Management key are explained in the following table.

Key Value		Description
MSB	LSB	
0000		Normal Mode - by Default
0110		All Blocks Locked

Normal mode

In Normal mode all the commands explained before are valid.

All blocks locked

Blocking MREG while the "Management key" has the 0110 value ("All Blocks Locked") leads to the "All Blocks Locked" state. In this state the memory is protected against writing; **this state is irreversible.**

7 Manufacturing Information

7.1 Moisture Sensitivity



All plastic encapsulated semiconductor packages are susceptible to moisture ingress. IXYS Integrated Circuits Division classified all of its plastic encapsulated devices for moisture sensitivity according to the latest version of the joint industry standard, **IPC/JEDEC J-STD-020**, in force at the time of product evaluation. We test all of our products to the maximum conditions set forth in the standard, and guarantee proper operation of our devices when handled according to the limitations and information in that standard as well as to any limitations set forth in the information or standards referenced below.

Failure to adhere to the warnings or limitations as established by the listed specifications could result in reduced product performance, reduction of operable life, and/or reduction of overall reliability.

This product carries a **Moisture Sensitivity Level (MSL) rating** as shown below, and should be handled according to the requirements of the latest version of the joint industry standard **IPC/JEDEC J-STD-033**.

Device	Moisture Sensitivity Level (MSL) Rating
NCD1015-LGA	MSL TBD

7.2 ESD Sensitivity



This product is **ESD Sensitive**, and should be handled according to the industry standard **JESD-625**.

7.3 Reflow Profile

This product has a maximum body temperature and time rating as shown below. All other guidelines of **J-STD-020** must be observed.

Device	Maximum Temperature x Time
NCD1015-LGA	TBD

7.4 Board Wash

IXYS Integrated Circuits Division recommends the use of no-clean flux formulations. However, board washing to remove flux residue is acceptable, and the use of a short drying bake may be necessary. Chlorine-based or Fluorine-based solvents or fluxes should not be used. Cleaning methods that employ ultrasonic energy should not be used.



8. Mechanical Data

8.1 Dimensions

Parameter	Limits			Unit
	Min	Typ	Max	
Width	-	2.3	-	mm
Length	-	6.9	-	mm
Height	1.1	-	1.3	mm

For additional information please visit www.ixysic.com

IXYS Integrated Circuits Division makes no representations or warranties with respect to the accuracy or completeness of the contents of this publication and reserves the right to make changes to specifications and product descriptions at any time without notice. Neither circuit patent licenses nor indemnity are expressed or implied. Except as set forth in IXYS Integrated Circuits Division's Standard Terms and Conditions of Sale, IXYS Integrated Circuits Division assumes no liability whatsoever, and disclaims any express or implied warranty, relating to its products including, but not limited to, the implied warranty of merchantability, fitness for a particular purpose, or infringement of any intellectual property right.

The products described in this document are not designed, intended, authorized or warranted for use as components in systems intended for surgical implant into the body, or in other applications intended to support or sustain life, or where malfunction of IXYS Integrated Circuits Division's product may result in direct physical harm, injury, or death to a person or severe property or environmental damage. IXYS Integrated Circuits Division reserves the right to discontinue or make changes to its products at any time without notice.

Specifications: DS-NCD1015-LGA-R00A
© Copyright 2014, IXYS Integrated Circuits Division
All rights reserved. Printed in USA.
12/1/2014