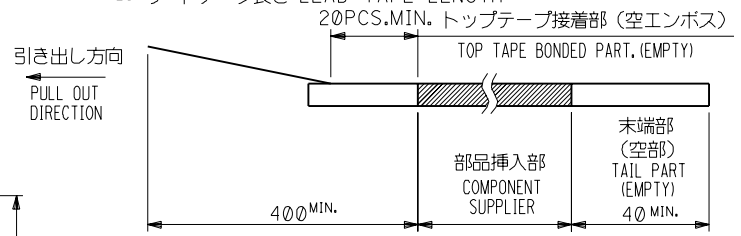
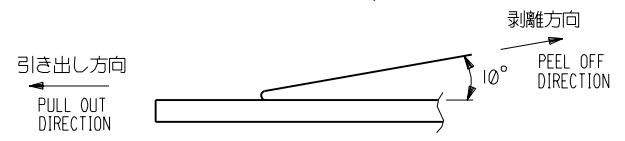


NOTES

- 製品詳細寸法については図面 SD-54481-003 を参照下さい。
RE DETAILED DIMENSION, SEE SD-54481-003
- 梱包数量：1000個/リール
NUMBER OF CONNECTORS：1000PCS/REEL
- リードテープ長さ LEAD TAPE LENGTH
20PCS.MIN. トップテープ接着部 (空エンボス)



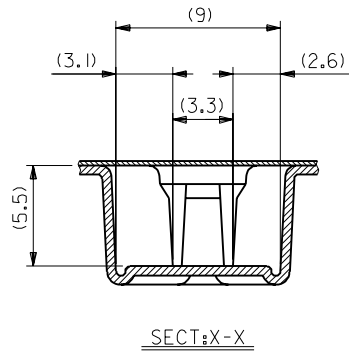
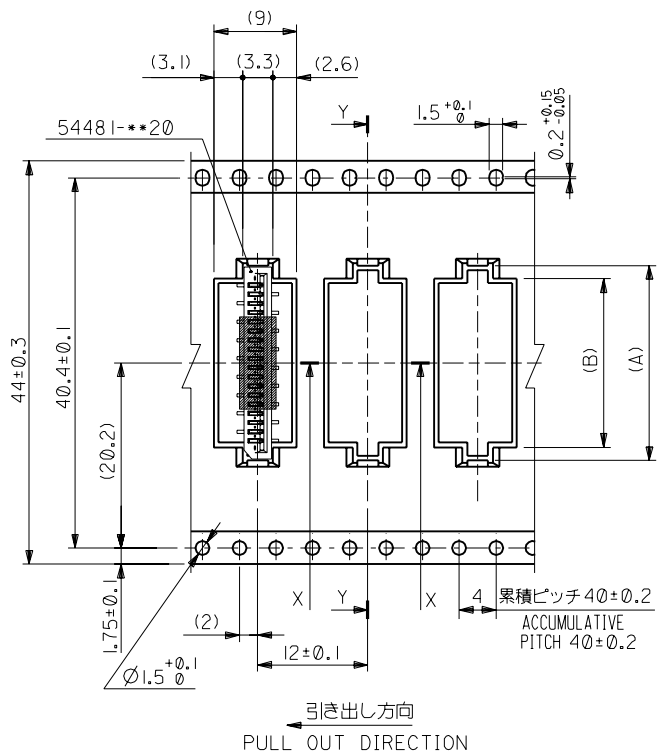
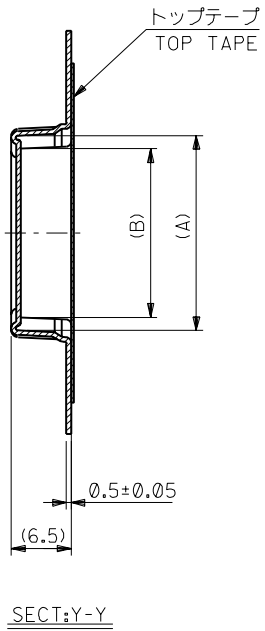
- トップテープの剥離強度：0.1N ~ 0.7N(10.2gf ~ 71.4gf)
(剥離方向は下図参照)
尚、本規格値は出荷時に適用。(但し、輸送時に剥離が発生しないこと。)
PEELING OFF FORCE OF TOP TAPE：0.1N ~ 0.7N(10.2gf ~ 71.4gf)
(PEELING DIRECTION AS SHOWN IN FOLLOWING FIG.)
THIS REQUIREMENT SHOULD BE APPLIED AT SHIPMENT.
PEEL OFF SHOULD NOT BE ALLOWED, DURING TRANSPORTATION.



- 材料 (MATERIAL)
キャリアテープ (CARRIER TAPE)：ポリプロピレン (POLYPROPYLENE)
トップテープ (TOPTAPE)：PET, PE, PEF
リール (REEL)：紙製 (CARD BOARD)

EGBNO. DRWN: CHK: APPR:	REVISED EGBNO. JD2000-1136 DRWN: THIRAYAMA00/04/21 CHK: MSASAO 00/04/21 APPR: HIKESUGI 00/04/21	REVISED EGBNO. JD000068 DRWN: THIRAYAMA99/07/19 CHK: MSASAO 99/07/19 APPR: HIKESUGI 99/07/19	REVISED EGBNO. JD91263 DRWN: THIRAYAMA99/03/19 CHK: MSASAO 99/03/19 APPR: HIKESUGI 99/03/19	RELEASED EGBNO. JD90110 DRWN: THIRAYAMA98/07/22 CHK: MSASAO 98/07/22 APPR: HIKESUGI 98/07/22	MATERIAL 材料	GENERAL TOLERANCES: (UNLESS SPECIFIED) 一般公差	SCALE —//—	DESIGN UNITS <input checked="" type="checkbox"/> mm <input type="checkbox"/> INCH	DIMENSIONS: <input type="checkbox"/> mm <input type="checkbox"/> INCH <input checked="" type="checkbox"/> mm ONLY		SHT	REV
					FINISH 仕上げ	10 UNDER 未満	+0.2	DRAWN BY & DATE T. Kinoshita 98/07/22	TITLE: EMBOSSD TAPE PACKAGE FOR 54481-***20		REVISE ON CAD ONLY	
C					注記5参照 SEE NOTE 5	10 OVER 以上	+0.25	CHECKED BY & DATE M. Sarao 98/07/22	APPROVED BY & DATE M. Sarao 98/07/22		MATERIAL NO. SEE SHEETS	
B					WIRE RANGE 適用範囲線形	30 OVER 以上	+0.3	CAB FILENAME 54481004.S01	DRAWING NO. SD-54481-004		SHEET NO. 1 OF 3	SIZE B
8					INS. RANGE 被覆外径	ANGLE 角度	+3°	THIS DRAWING CONTAINS INFORMATION THAT IS PROPRIETARY TO MOLEX INCORPORATED AND SHOULD NOT BE USED WITHOUT WRITTEN PERMISSION.				EN-02J(097) MXJ-54

DWG. NO. SD-54481-004

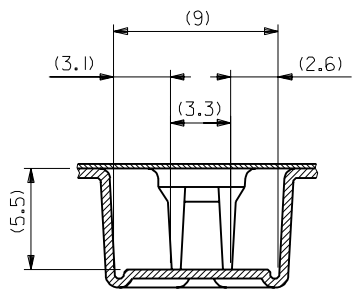
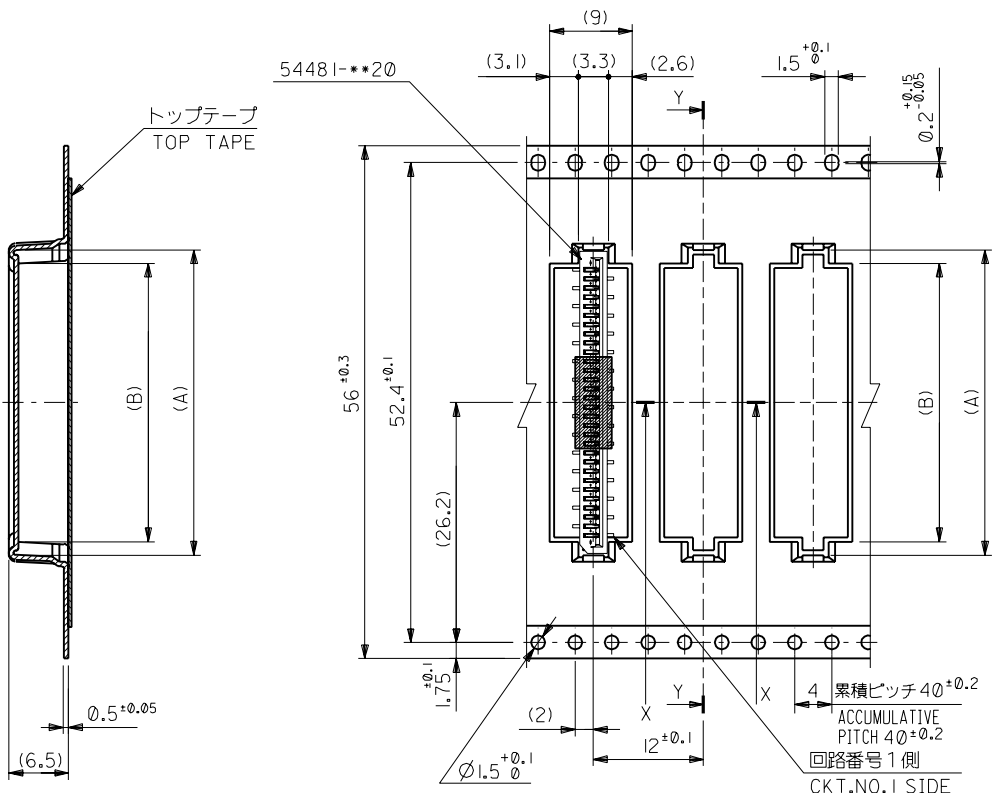


44mm幅キャリアテープ
44mm WIDTH CARRIER TAPE

44	44.4	28.4	31.3	54481-2891	28
		24.4	27.3	54481-2491	24
		21.4	24.3	54481-2191	21
		20.4	23.3	54481-2091	20
		18.4	21.3	54481-1891	18
キャリアテープ幅 CARRIER TAPE WIDTH	C	(B)	(A)	MATERIAL NO.	極数 CKT.
MODEL NO.	54481-***91	DIMENSIONS:		SHT	REV

DO NOT SCALE DRAWING	EG4NO. DRWN: CHK: APPR:	EG3NO. DRWN: CHK: APPR:	EG2NO. DRWN: CHK: APPR:	EG1NO. DRWN: CHK: APPR:	EG0NO. DRWN: CHK: APPR:	SHEET 1 OF 3 参照 SEE SHEET 1 OF 3	MATERIAL 材料	GENERAL TOLERANCES: (UNLESS SPECIFIED) 一般公差	SCALE	DESIGN UNITS	TITLE: EMBOSSD TAPE PACKAGE FOR 54481-***20	MOLEX INCORPORATED	MATERIAL NO. SEE CHART	DRAWING NO. SD-54481-004	SHEET NO. 2					
	REV						FINISH 仕上げ	10 UNDER 未満	10 OVER 以上	30 UNDER 未満						30 OVER 以上	APPROVED BY & DATE M. Saito 98/07/22	DRAWING NO. SD-54481-004	SHEET NO. 2	
	REV						WIRE RANGE 適用線幅範囲	ANGLE 角度	30 OVER 以上	30 UNDER 未満						30 OVER 以上	CAB FILENAME 54481004.S02			DRAWING NO. SD-54481-004
	REV						INS. RANGE 被覆外径	ANGLE 角度	30 OVER 以上	30 UNDER 未満						30 OVER 以上	7885 DRAWING CONTAINS INFORMATION THAT IS PROPRIETARY TO MOLEX INCORPORATED AND SHOULD NOT BE USED WITHOUT WRITTEN PERMISSION.		SIZE B	

DWG. NO. SD-54481-004



SECT:Y-Y

引き出し方向
PULL OUT DIRECTION

56mm幅キャリアテープ
56mm WIDTH CARRIER TAPE

56	56.4	29.4	32.3	54481-2991	29
キャリアテープ幅 CARRIER TAPE WIDTH	C	(B)	(A)	MATERIAL NO.	極数 CKT.
MODEL NO.	54481-**91		DIMENSIONS:		SHT REV

DESIGN UNITS <input checked="" type="checkbox"/> mm <input type="checkbox"/> INCH	PROJECTION <input checked="" type="checkbox"/> FIRST ANGLE <input type="checkbox"/> THIRD ANGLE	<input type="checkbox"/> mm <input type="checkbox"/> INCH <input checked="" type="checkbox"/> mm ONLY	BEVISE ON CAD ONLY
DRAWN BY & DATE <i>T. Kinoshita</i> 98/07/22	TITLE: EMBOSSD TAPE PACKAGE FOR 54481-**20		
CHECKED BY & DATE <i>M. Saito</i> 98/07/22	APPROVED BY & DATE <i>M. Saito</i> 98/07/22		
CAB FILENAME 54481004.S03	MATERIAL NO. SEE CHART	DRAWING NO. SD-54481-004	SHEET NO. 3

DO NOT SCALE DRAWING	REV	DESCRIPTION	MATERIAL 材料	GENERAL TOLERANCES: (UNLESS SPECIFIED) 一般公差
0	0	SHEET 1 OF 3 参照 SEE SHEET 1 OF 3	SHEET 1 OF 3 参照 SEE SHEET 1 OF 3	10 UNDER 未滿 +0.2 10 OVER 以上 30 UNDER 未滿 +0.25 30 OVER 以上 +0.3 ANGLE 角度 +3°
A	A		FINISH 仕上げ	
B	B		WIRE RANGE 適用線幅範囲	
C	C		INS. RANGE 被覆外径	

54481004.S03

EN-02J(097) MXJ-54