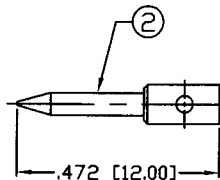
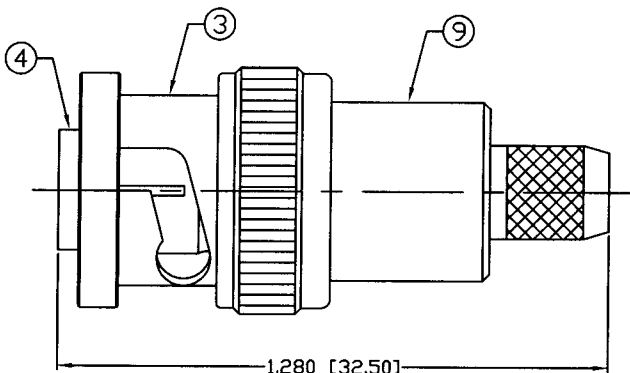


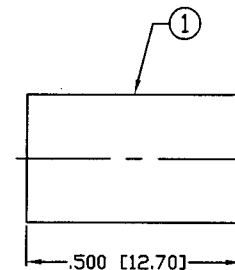
THIS DRAWING CONTAINS INFORMATION PROPRIETARY TO RF INDUSTRIES.  
 ANY UNAUTHORIZED USE OF THIS DRAWING IS EXPRESSLY PROHIBITED  
 WITHOUT WRITTEN PERMISSION FROM RF INDUSTRIES.  
 ANY VIOLATION IS PUNISHABLE UNDER U.S. COPYRIGHT LAWS.

ALL DIMENSIONS ARE REFERENCE ONLY

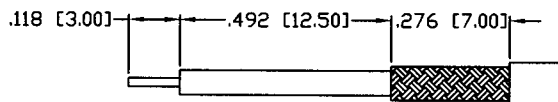
PART NO.		<b>RHV-106-D</b>		
REV	DESCRIPTION	DWN	DATE	APPROVED
-	ENGINEERING RELEASE	GCG	8/22/96	JDMc
A	REMOVED CRIMP DIE .068 FOR PIN.	JDM	7/10/03	JDMc



"SOLDER ONLY"



RECOMMENDED CRIMP DIE: .255"



RECOMMENDED STRIPPING DIMENSIONS

**SPECIFICATIONS:**


IMPEDANCE: Non-Constant  
 WORKING VOLTAGE: 5K V rms @ sea level  
 TEMPERATURE RANGE: -65°C TO 85°C  
 INSULATION RESISTANCE: 5k M Ohms min.  
 FOR RG-59, 59A, 59B, 62, 62A, 62C/U; ALPHA 9059, 9062,  
 9830, 9840, 9845; BELDEN 8221, 8241, 9169, 9204,  
 9228; CANARE LV-61S; CommScope 5555, 5560, 5563

1	FERRULE	1	BRASS	NICKEL, 70μ"
2	PIN	1	BRASS	GOLD, 3μ"
3	SHELL	1	BRASS	NICKEL, 70μ"
4	INSULATOR	1	PTFE	----
5	GASKET	1	SILICONE	----
6	WASHER	1	BRASS	NICKEL, 70μ"
7	SPRING	1	SK-5	NICKEL, 70μ"
8	WASHER	1	BRASS	NICKEL, 70μ"
9	BODY	1	BRASS	NICKEL, 70μ"
10				
11				
12				
13				
14				
#	DESCRIPTION	QTY	MATRL	FINISH

008974	
DRAWN	JDM
CHECKED	<i>JDM</i> 7-10-03
ORJ DRAWN	G. GALLEGOS 3/19/02
APPROVALS	DATE

UNLESS OTHERWISE SPECIFIED:  
 1. REMOVE ALL BURRS  
 2. BREAK ALL CORNERS & EDGES .005 R. MAX.  
 3. CHAMFER 1ST & LAST THREADS 45°  
 4. SURFACE ROUGHNESS 63 FINISH MIL-STD-10  
 5. DIAMETERS ON COMMON CENTERS TO BE CONCENTRIC WITHIN .002 T.I.R.  
 6. ALL DIMENSIONS ARE AFTER PLATING.

DIMENSIONS ARE IN INCHES AND [MILLIMETERS]  
 UNLESS OTHERWISE NOTED TOLERANCES ARE:  
 DECIMALS      DIAMETER  
 .xxx±.003 [.08]      .xxx±.001 [.03]  
 .xx±.005 [.13]      .xx±.003 [.08]



DIVISION OF RF INDUSTRIES, LTD.

7610 MIRAMAR RD  
 SAN DIEGO, CA 92126  
 (858) 549-6340  
 (858) 549-6345 FAX

## MHV PLUG CRIMP

SIZE A	CABLE GROUP D	DWG NO. RHV-106-D	REV A
SCALE: NTS		CAD FILE OUTLINE	SHEET 1 OF 1