

MATERIALS AND FINISHES

BODY/CAP: ZINC ALLOY
 PLATED: TIN

CENTER CONTACT: PHOSPHOR BRONZE
 OR BRASS
 PLATED: GOLD

COLOR RING : HIGH TEMPERATURE
 PLASTIC
 COLOR: SEE TABLE

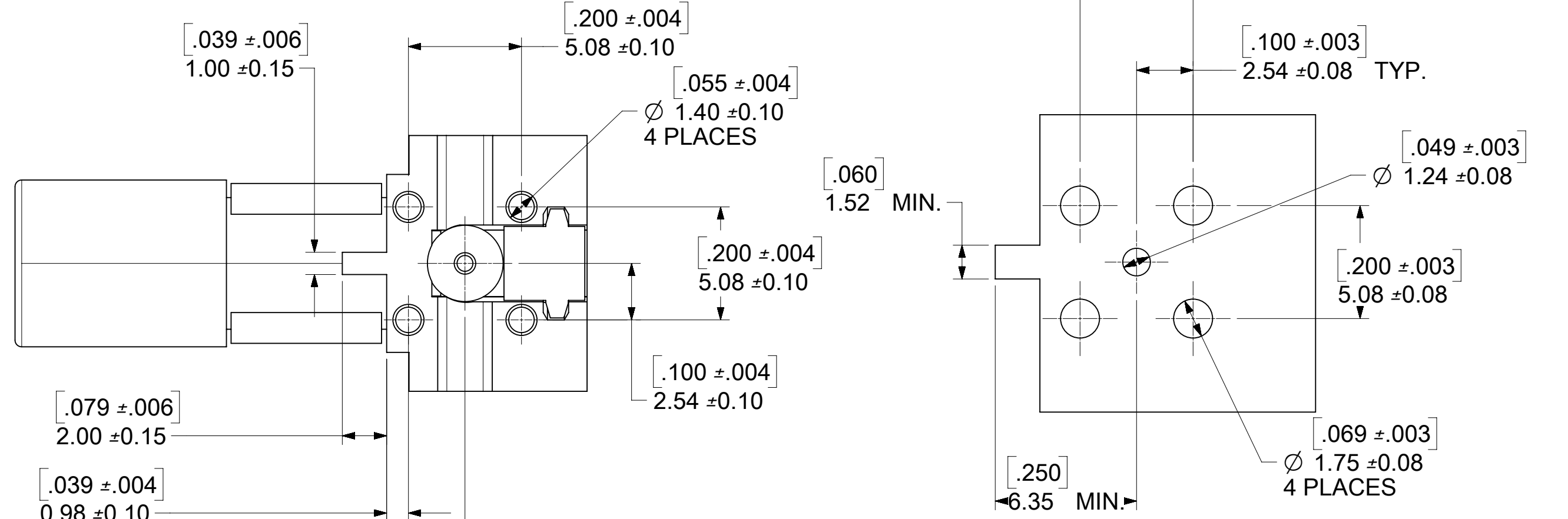
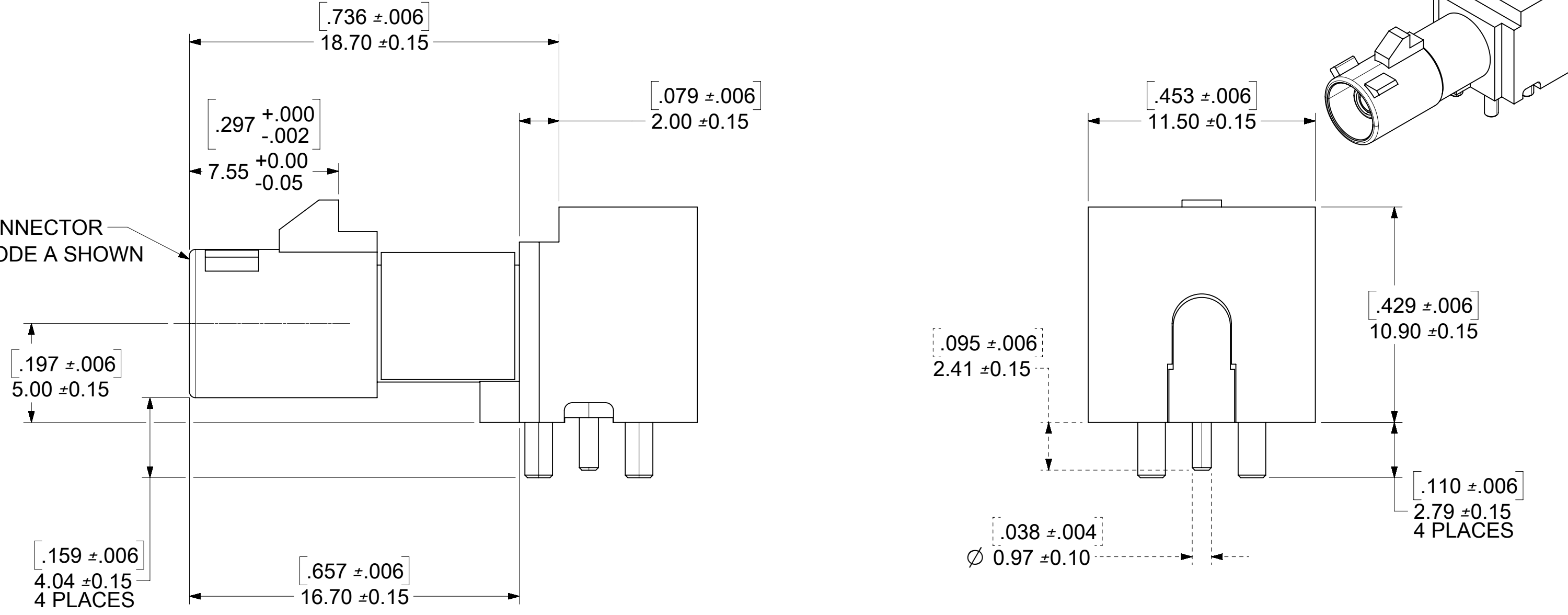
KEYING: SEE TABLE

INSULATOR: TEFLON

RETENTION SPECIFICATION:
 THE FAKRA CONNECTOR SHOULD WILL WITHSTAND
 A LONGITUDINAL FORCE OF 110 N (24.75 LBS)

SEE SHEETS 3 AND 4 FOR PACKAGING INSTRUCTIONS

FAKRA CONNECTOR
 KEYING CODE A SHOWN

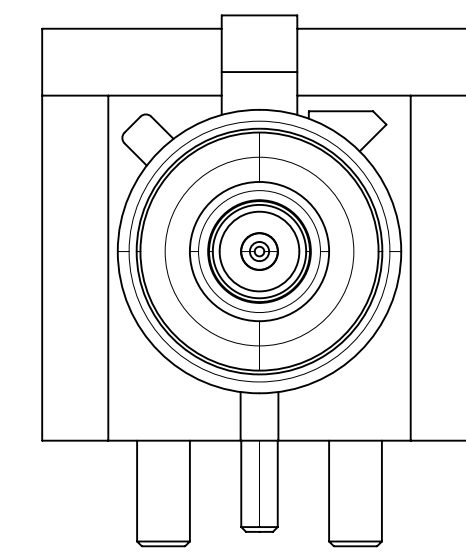


RECOMMENDED CIRCUIT BOARD PATTERN AND
 MINIMUM BOARD AREA NEEDED FOR CONNECTOR
 ANTI-TIPPING FEATURE TO FUNCTION

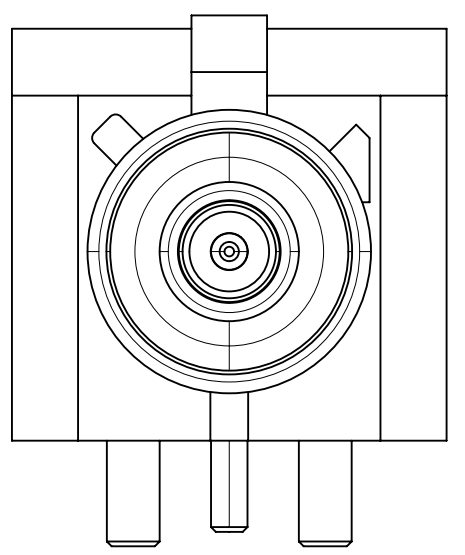
PS-89675-3310	PRODUCT SPECIFICATION
MIL-STD-348-A. FIG. 311-1	INTERFACE
SPECIFICATION	DESCRIPTION

2018/07/30	A1	UPDATE TAPE AND REEL PER EWR #12096
2008/11/24	A	RTM PER PDR09-009
DATE	REV.	DESCRIPTION

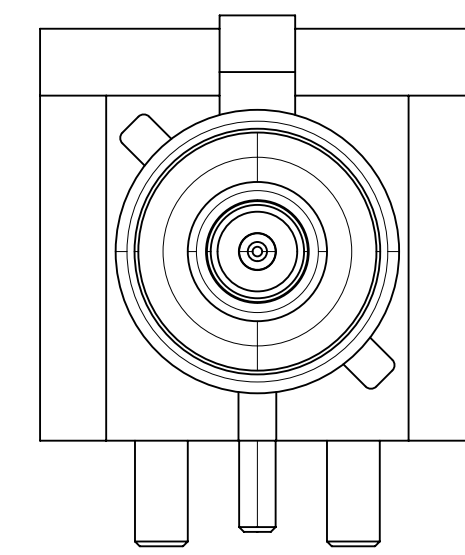
SYMBOLS		THIS DRAWING CONTAINS INFORMATION THAT IS PROPRIETARY TO MOLEX ELECTRONIC TECHNOLOGIES, LLC AND SHOULD NOT BE USED WITHOUT WRITTEN PERMISSION	
▽ = 0	HYBRID	SCALE	CURRENT REV DESC:
▽ = 0	NTS		
▽ = 0	GENERAL TOLERANCES (UNLESS SPECIFIED)		
▽ = 0	ANGULAR TOL ± 2.0°		
▽ = 0	4 PLACES ±	EC NO: 603096	2018/07/31
▽ = 0	3 PLACES ±	DRWN: ELIN	2018/09/06
▽ = 0	2 PLACES ±	CHK'D: YCHENG	2018/09/06
▽ = 0	1 PLACE ±	APPR: YCHENG	
▽ = 0	0 PLACES ±	INITIAL REVISION:	
□ = 0	DRAFT WHERE APPLICABLE MUST REMAIN WITHIN DIMENSIONS	DRWN: SCHOU	2008/11/24
▽ = 0		APPR: MHUANG	2008/11/24
	THIRD ANGLE PROJECTION	DRAWING	SERIES
		C-SIZE	73403
		MATERIAL NUMBER	CUSTOMER
		SEE TABLE	GENERAL MARKET
		DOCUMENT NUMBER	DOC TYPE DOC PART REVISION
		SD-73403-505	PSD 001 A2
		SHEET NUMBER	1 OF 4



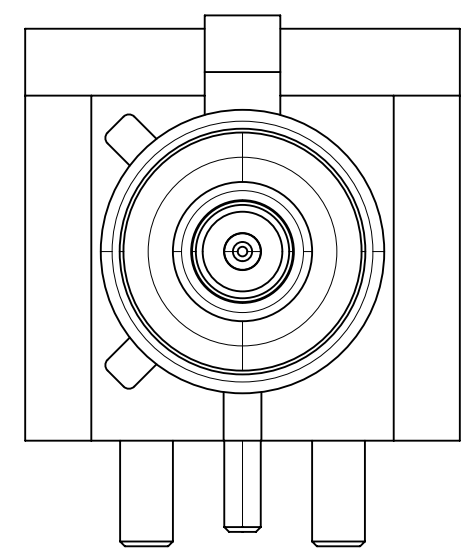
CODE A



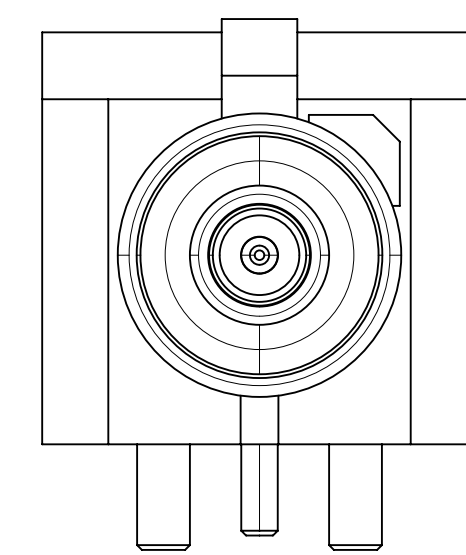
CODE B



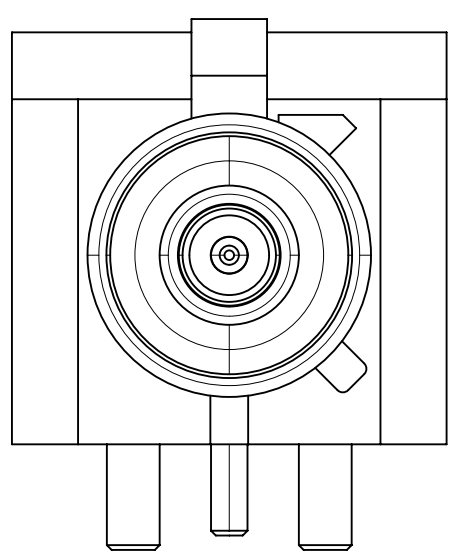
CODE C



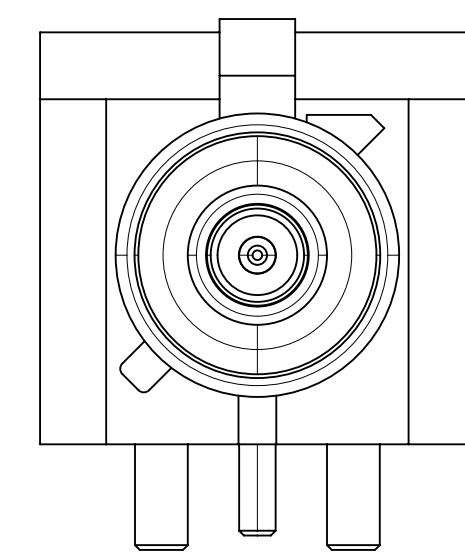
CODE D



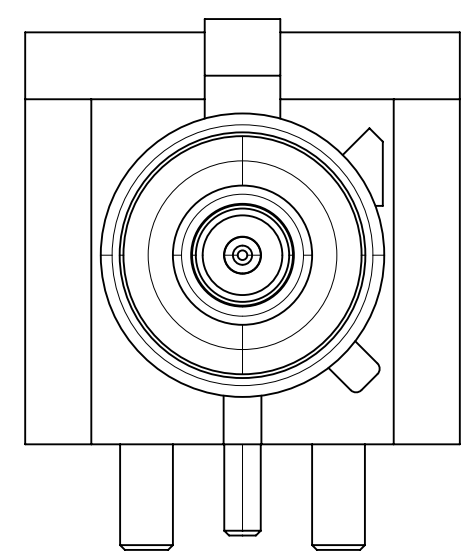
CODE E



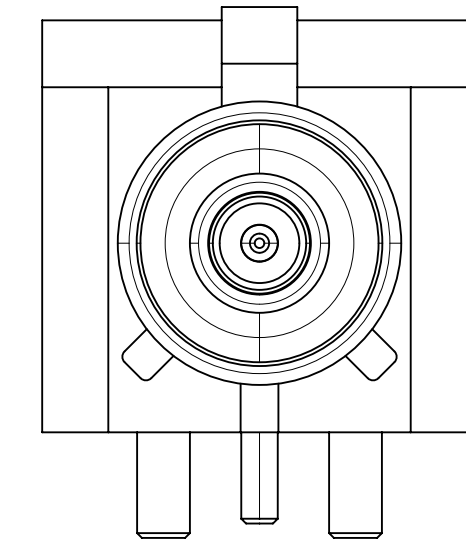
CODE F



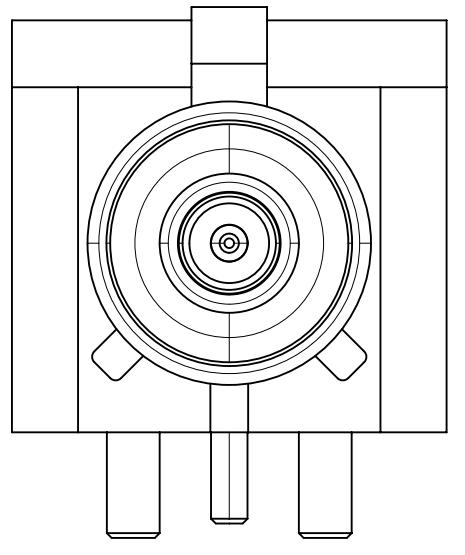
CODE G



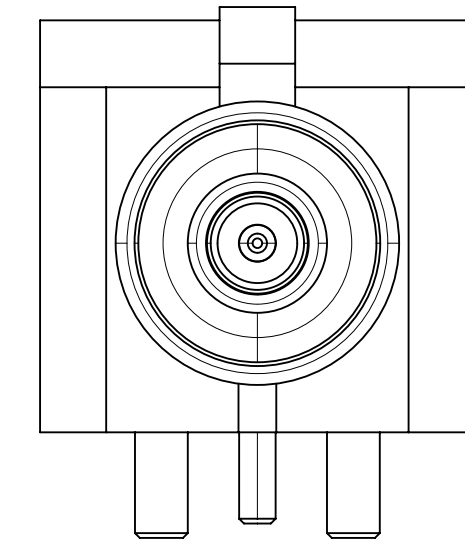
CODE H



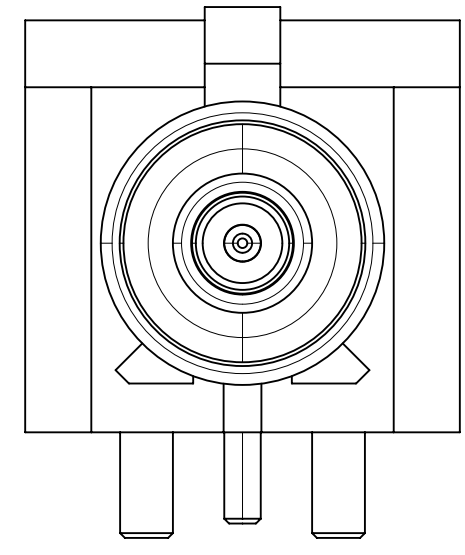
CODE I



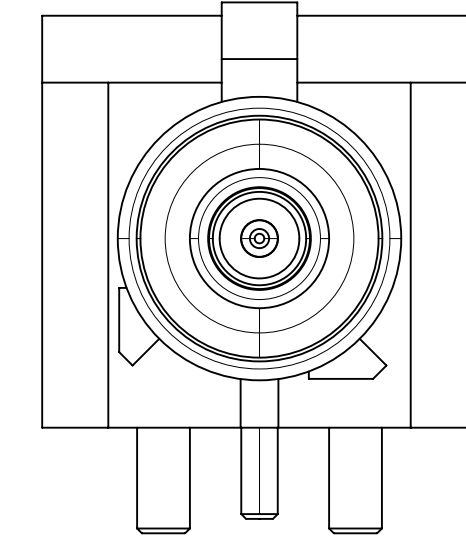
CODE K



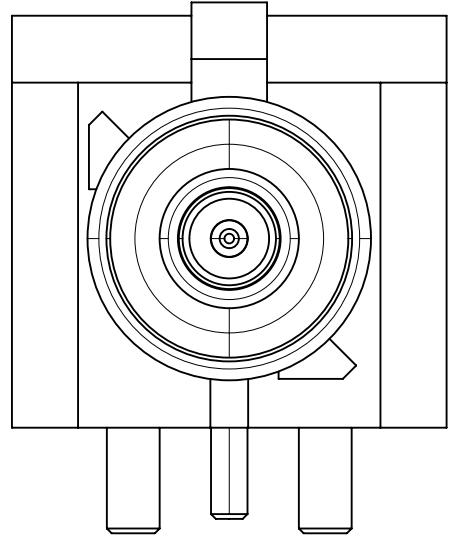
CODE Z



CODE L



CODE M



CODE N

N	PASTEL GREEN	73403-5X63
M	PASTEL ORANGE	73403-5X62
L	CARMINE RED	73403-5X61
Z	WATER BLUE	73403-5X60
K	CURRY YELLOW	73403-5X59
I	BEIGN	73403-5X58
H	VIOLET	73403-5X57
G	GRAY	73403-5X56
F	BROWN	73403-5X55
E	GREEN	73403-5X54
D	BORDEAUXVILOET	73403-5X53
C	BLUE	73403-5X52
B	SINGLE WHITE	73403-5X51
A	BLACK	73403-5X50
KEYING CODE	COLOR	PART NO.

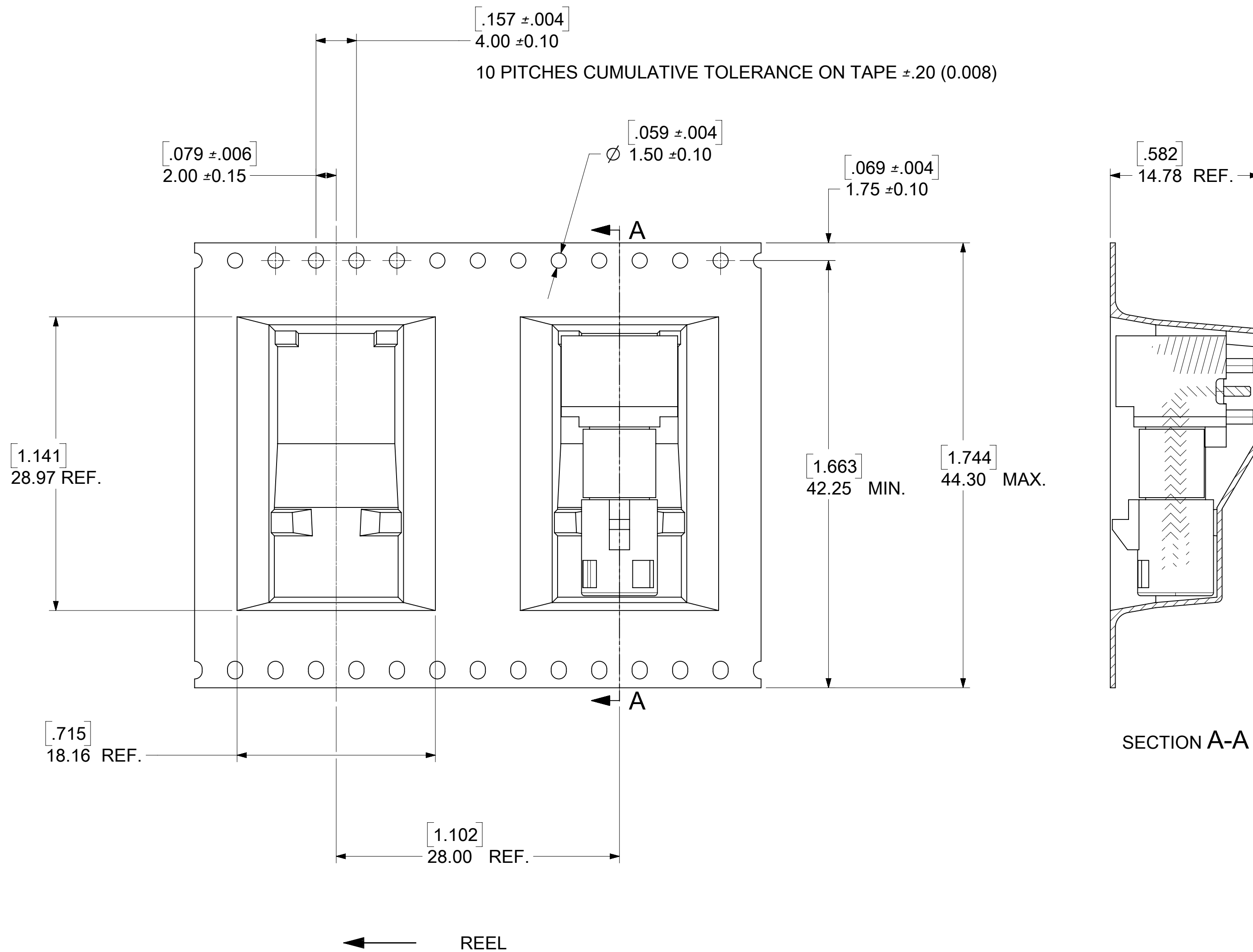
PRE-RELEASE REFERENCE USE ONLY

MOLEX RF P/N SYSTEM

73403-5 X XX
 XX KEYING CODE (SEE TABLE)
 X PACKAGE
 0. SINGLE
 1. TAPE & REEL
 2. TRAY

<small>THIS DRAWING CONTAINS INFORMATION THAT IS PROPRIETARY TO MOLEX ELECTRONIC TECHNOLOGIES, LLC AND SHOULD NOT BE USED WITHOUT WRITTEN PERMISSION</small>											
SYMBOLS	DIMENSION UNITS: HYBRID SCALE: NTS	CURRENT REV DESC:									
	= 0	GENERAL TOLERANCES (UNLESS SPECIFIED)			EC NO: 603096			2018/07/31			
	= 0	ANGULAR TOL ± 2.0°			DRWN: ELIN			2018/09/06			
	= 0	4 PLACES ±			CHK'D: YCHENG			2018/09/06			
	= 0	3 PLACES ±			APPR: YCHENG			2018/09/06			
	= 0	2 PLACES ±			INITIAL REVISION:						
	= 0	1 PLACE ±			DRWN: SCHOU			2008/11/24			
	= 0	0 PLACES ±			APPR: MHUANG			2008/11/24			
	= 0	DRAFT WHERE APPLICABLE MUST REMAIN WITHIN DIMENSIONS			THIRD ANGLE PROJECTION		DRAWING		SERIES		
	= 0					C-SIZE		73403			
DOCUMENT STATUS				RELEASE DATE							
moLEX						SMB JACK, FAKRA, R/A PCB, 50 OHMS SMB-J/PCB					
PRODUCT CUSTOMER DRAWING											
DOCUMENT NUMBER						DOC TYPE		DOC PART		REVISION	
SD-73403-505						PSD		001		A2	
MATERIAL NUMBER				CUSTOMER				SHEET NUMBER			
SEE TABLE				GENERAL MARKET				2 OF 4			

FEED DIRECTION →



NOTES:
1. 160 CONNECTORS PER REEL ON 330.2 mm (13.0 IN) REEL

PRE-RELEASE
REFERENCE
USE ONLY

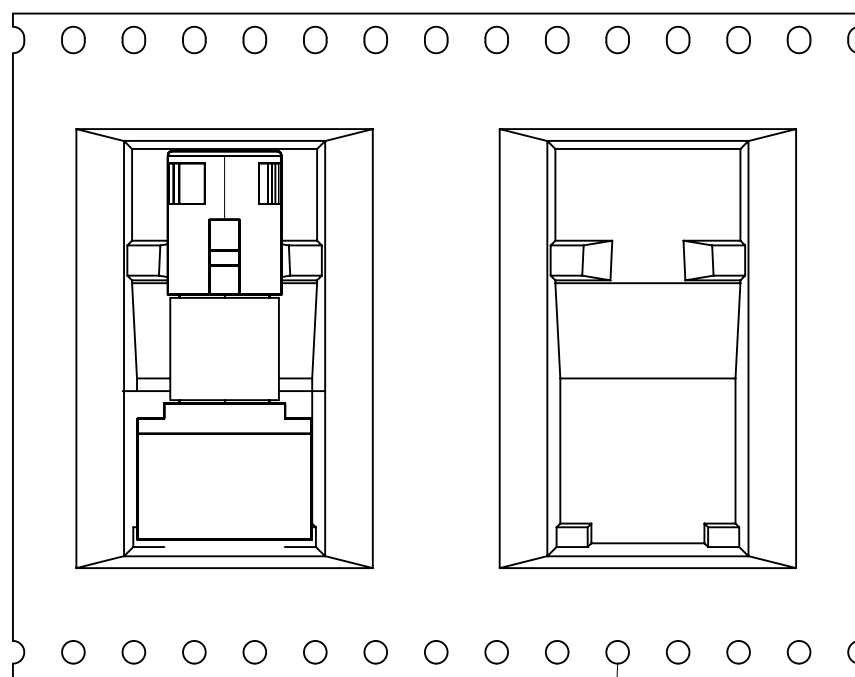
THIS DRAWING CONTAINS INFORMATION THAT IS PROPRIETARY TO MOLEX ELECTRONIC TECHNOLOGIES, LLC AND SHOULD NOT BE USED WITHOUT WRITTEN PERMISSION									
SYMBOLS		DIMENSION UNITS	SCALE	CURRENT REV DESC:					
$\nabla = 0$	HYBRID	NTS		EC NO: 603096					
$\nabla = 0$	GENERAL TOLERANCES (UNLESS SPECIFIED)			DRWN: ELIN		2018/07/31			
$\nabla = 0$	ANGULAR TOL $\pm 2.0^\circ$			CHK'D: YCHENG		2018/09/06			
$\nabla = 0$	4 PLACES \pm			APPR: YCHENG		2018/09/06			
$\nabla = 0$	3 PLACES \pm			INITIAL REVISION:					
$\nabla = 0$	2 PLACES \pm			DRWN: SCHOU		2008/11/24			
$\nabla = 0$	1 PLACE \pm			APPR: MHUANG		2008/11/24			
$\nabla = 0$	0 PLACES \pm			DRAFT WHERE APPLICABLE MUST REMAIN WITHIN DIMENSIONS		THIRD ANGLE PROJECTION		DRAWING SERIES	
$\nabla = 0$				C-SIZE		73403			
DOCUMENT STATUS		RELEASE DATE		MATERIAL NUMBER		CUSTOMER		SHEET NUMBER	
				SEE TABLE		GENERAL MARKET		3 OF 4	

molex

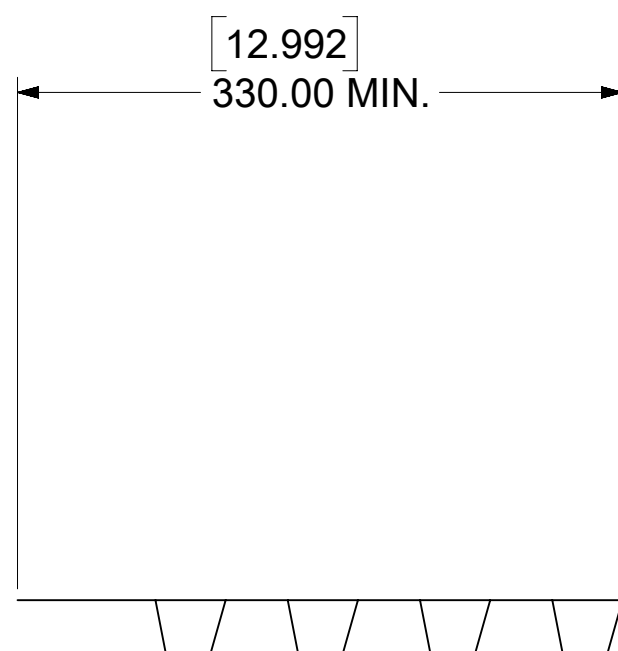
SMB JACK, FAKRA, R/A
PCB, 50 OHMS SMB-J/PCB

PRODUCT CUSTOMER DRAWING

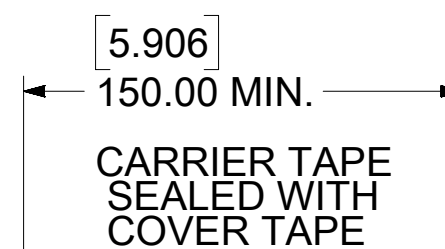
DOCUMENT NUMBER	DOC TYPE	DOC PART	REVISION
SD-73403-505	PSD	001	A2



TOP VIEW

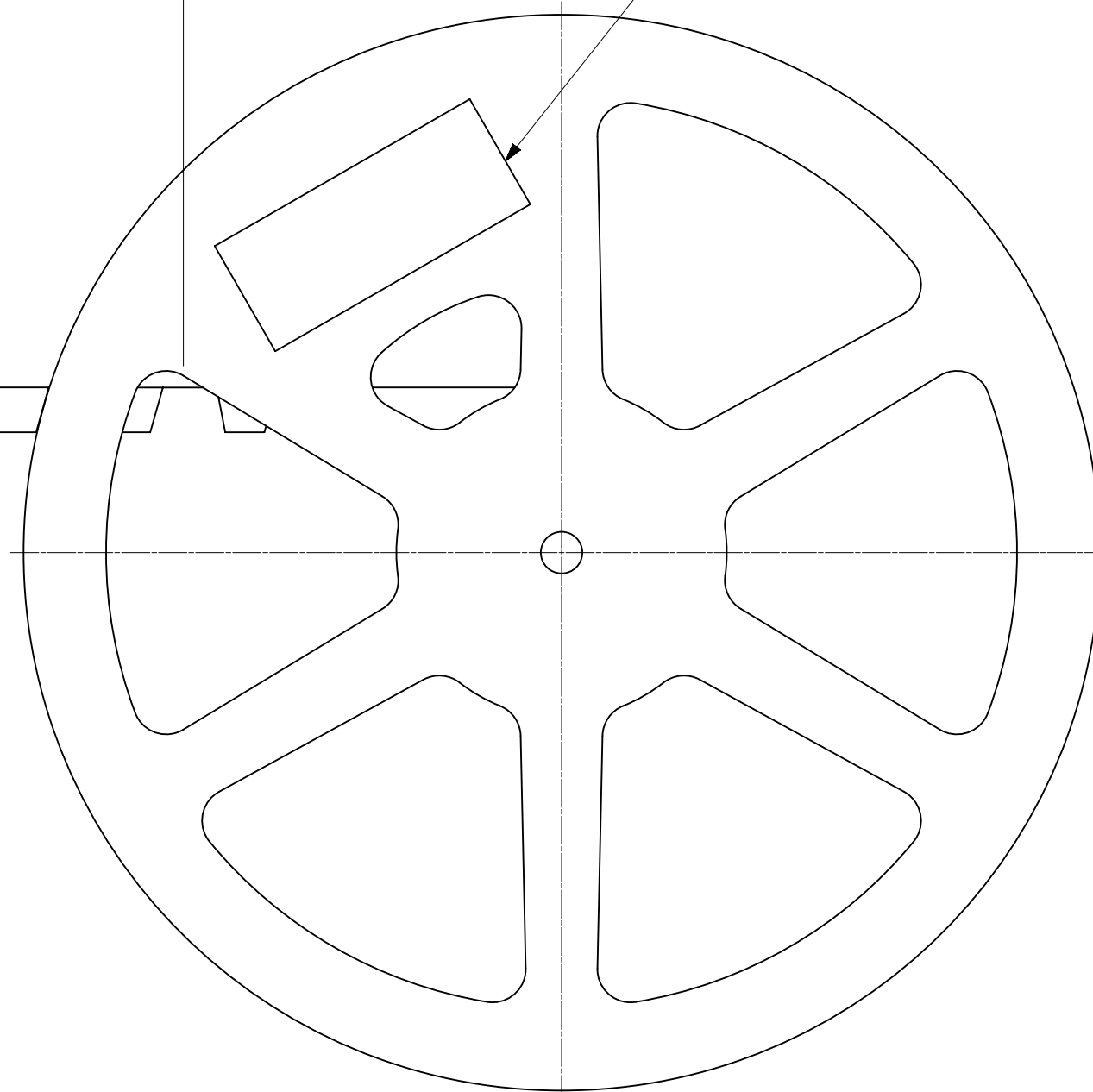


250mm MIN OF CARRIER AND /OR COVER TAPE.
PLUS 80mm MINIMUM OF CARRIER TAPE SEALED
WITH COVER TAPE

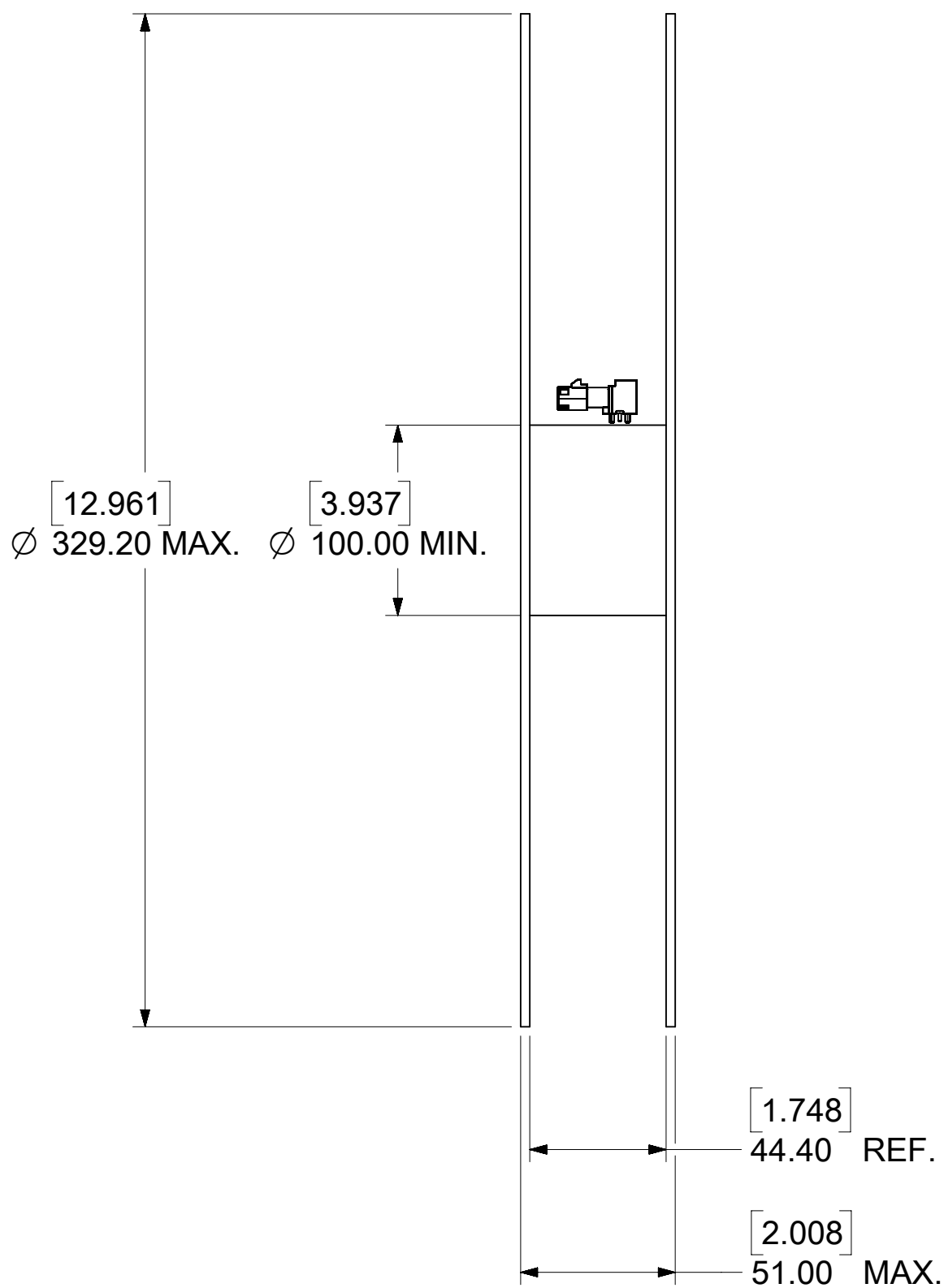


CARRIER TAPE
SEALED WITH
COVER TAPE

LABEL:
- ORDER NO.
- QUANTITY
- PART NO.
- LOT NO.



PRE-RELEASE
REFERENCE
USE ONLY



THIS DRAWING CONTAINS INFORMATION THAT IS PROPRIETARY TO MOLEX ELECTRONIC TECHNOLOGIES, LLC AND SHOULD NOT BE USED WITHOUT WRITTEN PERMISSION											
SYMBOLS		DIMENSION UNITS		SCALE		CURRENT REV DESC:					
▽ = 0	▽ = 0	▽ = 0	▽ = 0	▽ = 0	▽ = 0	HYBRID NTS		molex SMB JACK, FAKRA, R/A PCB, 50 OHMS SMB-J/PCB			
▽ = 0	▽ = 0	▽ = 0	▽ = 0	▽ = 0	▽ = 0	GENERAL TOLERANCES (UNLESS SPECIFIED)					
▽ = 0	▽ = 0	▽ = 0	▽ = 0	▽ = 0	▽ = 0	ANGULAR TOL ± 2.0°		EC NO: 603096 DRWN: ELIN 2018/07/31 CHK'D: YCHENG 2018/09/06 APPR: YCHENG 2018/09/06			
▽ = 0	▽ = 0	▽ = 0	▽ = 0	▽ = 0	▽ = 0	4 PLACES ±		PRODUCT CUSTOMER DRAWING			
▽ = 0	▽ = 0	▽ = 0	▽ = 0	▽ = 0	▽ = 0	3 PLACES ±		DOCUMENT NUMBER			
▽ = 0	▽ = 0	▽ = 0	▽ = 0	▽ = 0	▽ = 0	2 PLACES ±		SD-73403-505			
▽ = 0	▽ = 0	▽ = 0	▽ = 0	▽ = 0	▽ = 0	1 PLACE ±		DOC TYPE			
▽ = 0	▽ = 0	▽ = 0	▽ = 0	▽ = 0	▽ = 0	0 PLACES ±		PSD			
▽ = 0	▽ = 0	▽ = 0	▽ = 0	▽ = 0	▽ = 0	DRAFT WHERE APPLICABLE MUST REMAIN WITHIN DIMENSIONS		DOC PART			
▽ = 0	▽ = 0	▽ = 0	▽ = 0	▽ = 0	▽ = 0	THIRD ANGLE PROJECTION		001			
▽ = 0	▽ = 0	▽ = 0	▽ = 0	▽ = 0	▽ = 0	DRAWING		REVISION			
▽ = 0	▽ = 0	▽ = 0	▽ = 0	▽ = 0	▽ = 0	C-SIZE		A2			
▽ = 0	▽ = 0	▽ = 0	▽ = 0	▽ = 0	▽ = 0	SERIES		MATERIAL NUMBER			
▽ = 0	▽ = 0	▽ = 0	▽ = 0	▽ = 0	▽ = 0	73403		CUSTOMER			
▽ = 0	▽ = 0	▽ = 0	▽ = 0	▽ = 0	▽ = 0	SEE TABLE		GENERAL MARKET			
▽ = 0	▽ = 0	▽ = 0	▽ = 0	▽ = 0	▽ = 0	SHEET NUMBER		4 OF 4			

DOCUMENT STATUS	RELEASE DATE										
-----------------	--------------	--	--	--	--	--	--	--	--	--	--