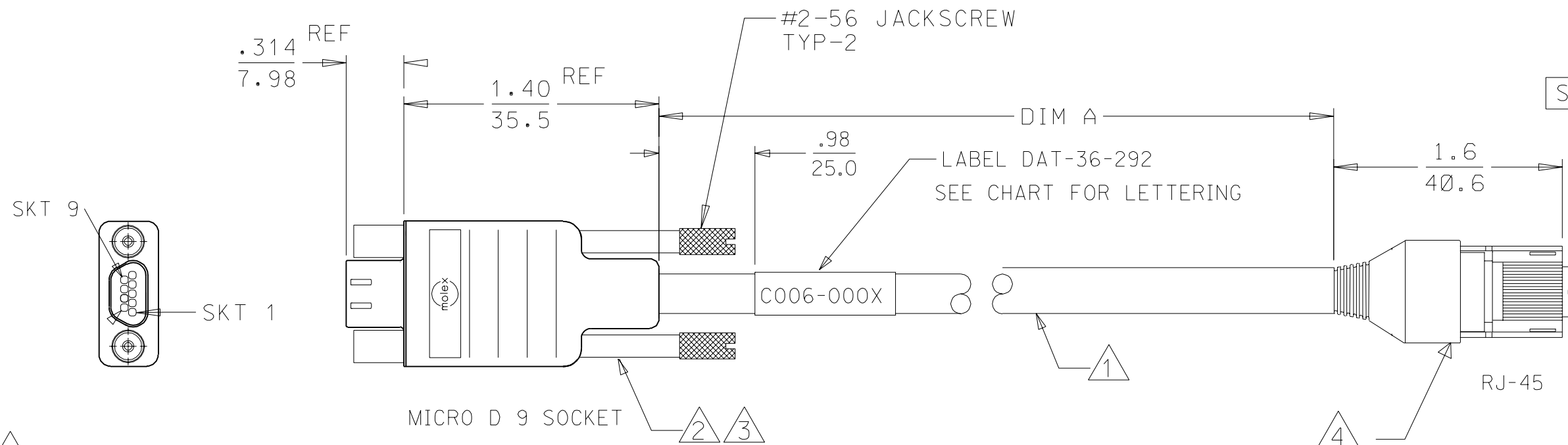
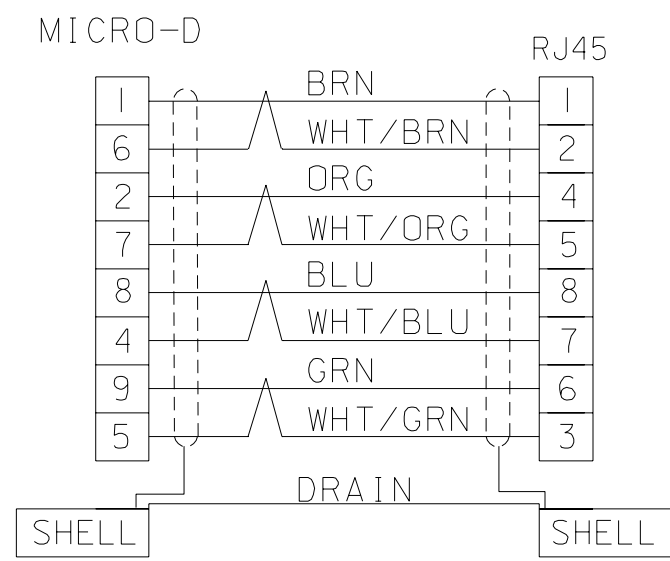


10	9	8	7	6
MATERIAL NO.	ENGINEERING NO.	DIM A	TOLERANCE	LABEL PRINT
834219224	83421-9224	4ft+/1200mm	+1.89-.945/+48-24mm	C006-0001
834219225	83421-9225	32.8ft+/10m	+4.0-2.5/+100-63.mm	C006-0002
834219226	83421-9226	9.85ft+/3m	+2.36-1.89/+60-48mm	C006-0003



- 4. MODULAR PLUG ASSEMBLY
SHIELDED RJ-45 8P8C
WITH 50 MICRO INCH GOLD PLATING
WITH S/R BOOT
- 3. REFER TO PS-83421-9000 FOR PRODUCT SPEC.
- 2. MICRO-D, 9 SOCKET FEMALE CONNECTOR (CRIMP TYPE)
CONTACTS: BRASS ALLOY, 30 MICRO INCH GOLD PLATED.
INSULATOR: PVC OVERMOLD, COLOR: BLACK.
WITH (2) #2-56 JACKSCREWS
- 1. CABLE: CAT 5E 26AWG 4 PAIR & DRAIN WIRE
8 CONDUCTOR, TINNED COPPER, 7 STRAND.
WIRE INSULATION: PVC
SHIELD: AL-FOIL/MYLAR. INCLUDING DRAIN WIRE & BRAID
OUTER CABLE JACKET: BLACK PVC.

NOTES: UNLESS OTHERWISE SPECIFIED.

RESTRICTED SALES DRAWING

(A1)

CHNG TO SD IN MIDAS EC NO. ETC2004-0077 DRWN: EMF 03/09/26 CHK: HEB 03/09/26 APPR: RSD 03/09/26	QUALITY SYMBOLS MAJOR $\nabla=0$ CRITICAL $\nabla C=0$	GENERAL TOLERANCES: (UNLESS SPECIFIED)	SCALE NO:NE DESIGN UNITS <input type="checkbox"/> mm <input checked="" type="checkbox"/> INCH	DIMENSIONS: <input type="checkbox"/> mm <input checked="" type="checkbox"/> INCH <input type="checkbox"/> mm ONLY	SHT REV REVISE ON CAD ONLY																
	DESCRIPTION MAJOR $\nabla=0$ CRITICAL $\nabla C=0$	<table border="1"> <tr> <th></th> <th>mm</th> <th>INCH</th> </tr> <tr> <td>4 PLACES</td> <td>$\pm 0.$</td> <td>$\pm .$</td> </tr> <tr> <td>3 PLACES</td> <td>$\pm 0.$</td> <td>$\pm .005$</td> </tr> <tr> <td>2 PLACES</td> <td>± 0.13</td> <td>$\pm .010$</td> </tr> <tr> <td>1 PLACE</td> <td>± 0.25</td> <td>$\pm .$</td> </tr> </table>		mm	INCH	4 PLACES	$\pm 0.$	$\pm .$	3 PLACES	$\pm 0.$	$\pm .005$	2 PLACES	± 0.13	$\pm .010$	1 PLACE	± 0.25	$\pm .$	DRAWN BY & DATE JAL 03/04/07	TITLE: CABLE ASSEMBLY 9 SKT MICRO D TO 8 POS. MOD. PLUG ASSY W/OVERMOLD	THIRD ANGLE PROJECTION <input checked="" type="checkbox"/>	MOLEX INCORPORATED
		mm	INCH																		
	4 PLACES	$\pm 0.$	$\pm .$																		
3 PLACES	$\pm 0.$	$\pm .005$																			
2 PLACES	± 0.13	$\pm .010$																			
1 PLACE	± 0.25	$\pm .$																			
REV A1	ANGULAR: $\pm 2^\circ$	CHECKED BY & DATE / /	APPROVED BY & DATE RWD 03/04/10	CAD FILENAME RSD-83421-024DGN	MATERIAL NO. SEE CHART	DRAWING NO. RSD-83421-024															
DRAFT WHERE APPLICABLE MUST REMAIN WITHIN DIMENSIONS	THIS DRAWING CONTAINS INFORMATION THAT IS PROPRIETARY TO MOLEX INCORPORATED AND SHOULD NOT BE USED WITHOUT WRITTEN PERMISSION.	SHEET NO. 1 OF 1	SIZE B																		