

Model

# SIPF150-RH

## RoHS COMPLIANT

5 Volt Input

Industrial Grade Single Tube CCFT Inverter

Brightness Control

### Physical Specifications

Dimensions:	22.7mm x 96.5mm x 7.3mm (0.894" x 3.79" x 0.287")
Weight:	18g (0.634 oz.)
Operating Temp:	0 to 55°C
Relative Humidity:	20% to 90%, non-condensing
Storage:	-20 to 85°C/5-95% RH
Impact Resistance:	50G half wave per 2 msec
Vibration Resistance:	10-55-10 Hz/min @ 1.5mm



### Input Specifications\*

Item	Condition	Standard
Input Voltage Rated Tolerance	— Continuous Operation Starting Condition (Discharge Starting Voltage)	5.0 Vdc 4.5 Vdc - 7.0 Vdc 4.5 Vdc - 7.0 Vdc
Max. Input Current	$V_{IN} = 4.5$ Vdc Luminance @ Max.	1.3 A
Input Leak Current	$V_{IN} = 7.0$ Vdc Control terminal = H( $V_{IN}$ ) On/Off	4.0 $\mu$ A (Lamp Off)
Max. Rush Current	$V_{IN} = 7.0$ Vdc Luminance @ Max.	6.5 A <sub>zero-p</sub> /50 $\mu$ S
Max. Input Power	$V_{IN} = 4.5$ Vdc Luminance @ Max.	5.85 W
On/Off Control Terminal Input Current	Control Terminal L = 0.0 - 0.4 Vdc $V_{IN} = 7.0$ Vdc  Control Terminal H = Open or $V_{IN}$	$I_{LOW} = 2.0$ mA (Lamp Lighting)  — (Lamp Off)

\*Above specifications occur @ 25  $\pm$  5°C.

### Output Specifications\*

Item	Condition	Standard		
		MIN	TYP	MAX
Output Voltage (Vrms)	$V_{IN} = 4.5$ Vdc	1500	—	—
Tube Current (mArms)	Luminance @ Max. Luminance @ Min.	5.5 2.5	6.0	6.5
Max. Power Output (W)	$V_{IN} = 5.0$ Vdc/Luminance @ Max.	—	—	4.0
Ignition Frequency (kHz)	Luminance @ Max.	—	45	—
DC/DC Converter Frequency (kHz)	Luminance @ Max.	—	80	—

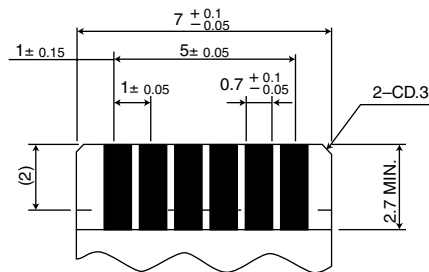
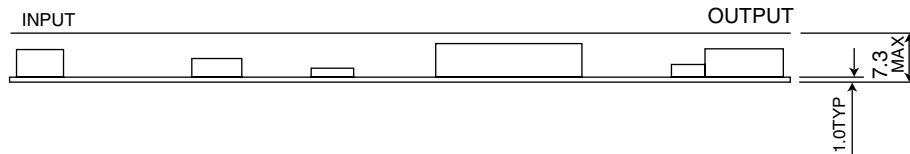
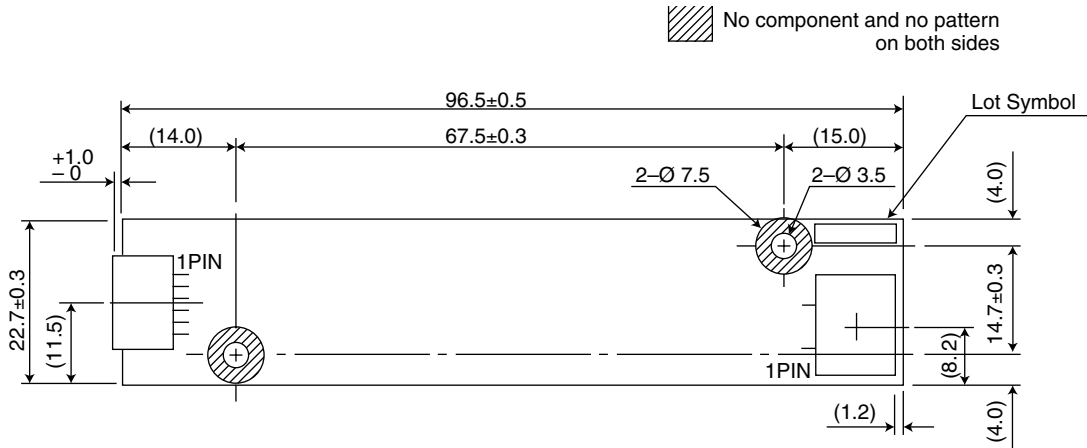
\*Above specifications occur @ 25  $\pm$  5°C &  $V_{IN} = 4.5 - 7.0$  Vdc.

Model

# SIPFI50-RH

## Luminance Variance

Item	Condition	Applied Voltage	Output Current
Luminance @ Max.	Btwn. pin 5 & pin 6	0.0 Vdc	6.0 mA
Luminance @ Min.	Btwn. pin 5 & pin 6	4.5 Vdc	2.5 mA



© Copyright 2007 TAIYO YUDEN (U.S.A.), INC. Specifications subject to change without notice.

## TAIYO YUDEN

TAIYO YUDEN (U.S.A.), INC.  
 440 Stevens Avenue, Suite 300 Solana Beach, CA 92075  
 (858) 350-6800 / Fax: (858) 350-6854  
**(800) 263-4532**    [www.t-yuden.com](http://www.t-yuden.com)    [inverters@t-yuden.com](mailto:inverters@t-yuden.com)



FM 32227

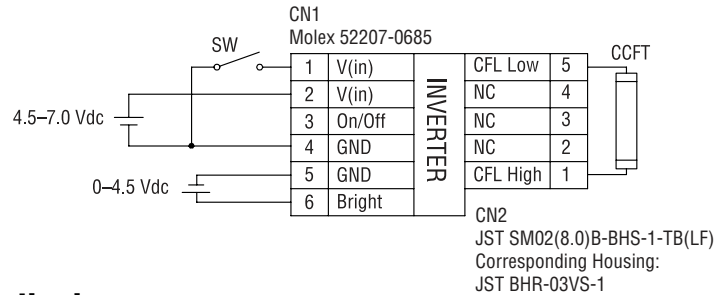
Model

# SIPF150-RH

Tech Notes

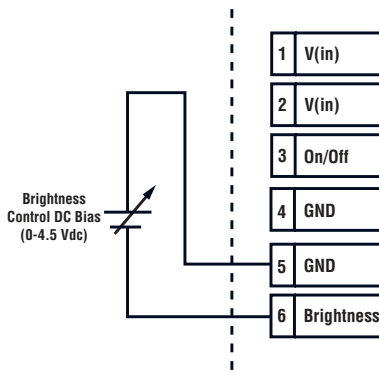
## Connection Diagram

### SIPF-150-RH



## Output Current Optimization Method

Maximum output current can be adjusted by applying bias voltage between brightness control pins as shown below.

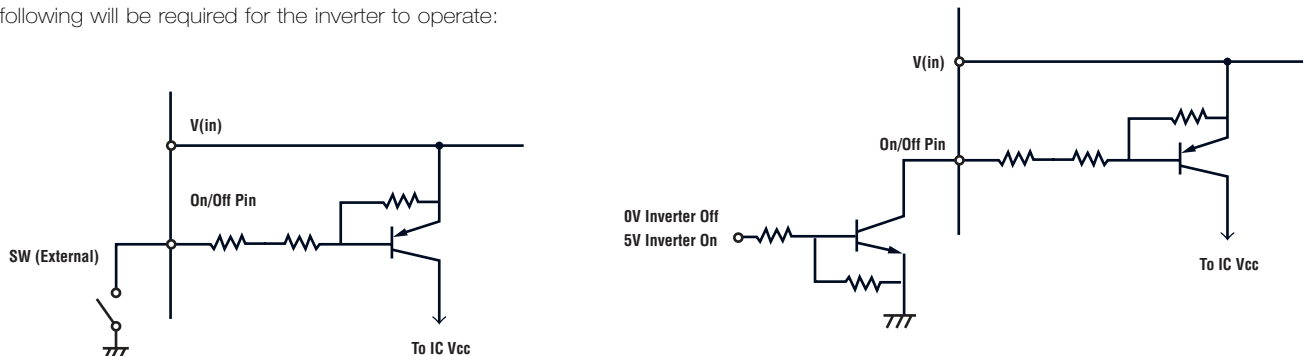


	DC Bias Voltage	Output Current
<b>Luminance Max.</b>	0 Vdc	6.0 mA
<b>Luminance Min.</b>	4.5 Vdc	2.5 mA

## On/Off Control

The on/off control is achieved by using the on/off pin on the input side of SIPF150. The circuit for the remote on/off circuitry consists of an active low TTL switch. When the circuit is open, the IC Vcc is cut off. When the circuit is closed, IC Vcc is activated. A mechanical switch or a TTL/CMOS gate needs to be placed between the remote on/off pin and ground creating a condition where the circuit is closed to activate the inverter to operate:

One recommended use of logic switch for remote on/off is shown in the diagram below. Electrical specification for on/off terminal is Low 0 to 0.4V, -0.4 mA or higher when switch is closed.



1. Tie on/off pin to ground.
2. Add mechanical switch between on/off pin and ground, close switch.
3. Add TTL/CMOS switch between on/off and ground. Circuit must be closed for unit to operate (as shown above right).