



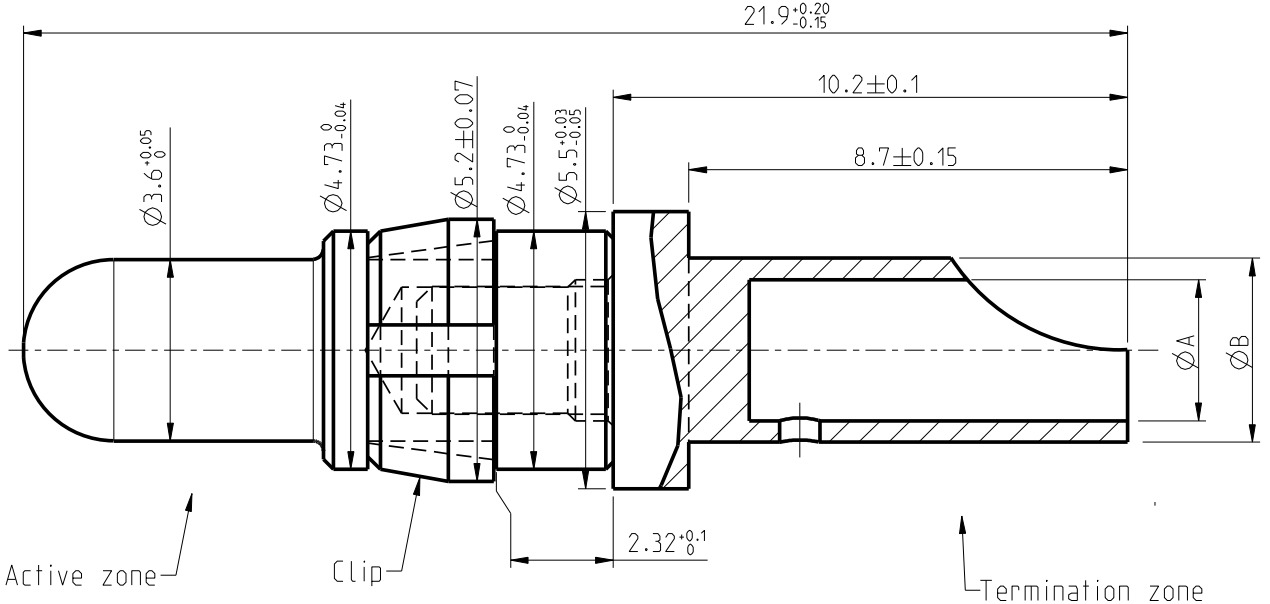
PLATING ACTIVE ZONE			CHARACTERISTICS					
500 mating/unmating Ni: $2\mu\text{m}^{+2\mu\text{m}}_0$ Au: $1.27\mu\text{m min}$	500 mating/unmating Cu : flash Ni P : $2\mu\text{m}^{+2\mu\text{m}}_0$ Au: $0.2\mu\text{m min}$ (equivalent 0.8 $\mu\text{m Au}$)	200 mating/unmating Cu : flash Ni P : $2\mu\text{m}^{+2\mu\text{m}}_0$ Au: $0.15\mu\text{m min}$ (equivalent 0.4 $\mu\text{m Au}$)	CURRENT max A	AWG WIRE	mm ² AREA	$\phi A^{+0.1}_0$	$\phi B \pm 0.1$	Clip colour
8638PPS4007LF	8638PPS4006LF	-----	40	8	8.35	4.40	5.50	BLUE
8638PPS2007LF	8638PPS2006LF	-----	20	12	3.31	2.80	3.65	RED
8638PPS1507LF	8638PPS1506LF	8638PPS1505LF	15	14	2.08	2.10	3.00	WHITE
8638PPS1007LF	8638PPS1006LF	-----	10	16	1.34	1.70	2.60	BLACK

NOTE: RoHS INFORMATIONS
 - The "LF" products meet European union Directives and regulations as described in GS-22-008
 - Termination plating spec: Sn pure matte
 - Packaging spec: see GS-14-920

Materials and finish
 Active zone: CuZn40 Pb3. Plating: See table
 Termination zone (soldering sleeve): CuZn40Pb3
 Plating $2\mu\text{m}^{+2\mu\text{m}}_0$ Cu $3\mu\text{m}^{+3\mu\text{m}}_0$ Tin pure matte
 Clip : Thermoset plastic

Technical characteristics
 Peak voltage: 750 Veff.
 Operating voltage: 500 Veff.
 Temperature range -55 °C +125 °C
 Packaged per 100
 Current capability : see table

Mechanical characteristics :
 Mechanical endurance: 200 or 500 matings/unmatings (see table).
 Contact insertion force in insulator:
 60N maxi in a hole of 4.80 mm
Examination of product:
 Remove all burrs and sharp edges 0.08 maxi
 No scratch allowed



Mark with /		Material SEE NOTES		Spec ref	
		Mat code -		surface -	
		Heatreat -		tolerance <input checked="" type="checkbox"/> ISO 405	
		Plating/Finish SEE TABLE + NOTES		ISO 1302 ISO 1101	
		Dr JARRY 2002/02/28		projection <input type="checkbox"/> <input checked="" type="checkbox"/> mm	
		Eng JARRY 2002/02/28		size A3 Scale 10:1	
		Chr LEGARE 2002/02/28		Model Name 8638PPS200XLF ECN F10-0031	
		Appr LEGARE 2002/02/28		Model Revision 1 REL Level	
		title MALE POWER CONTACT SOLDERED CONNECTION		dwg no C01-8638-0349 Rev. F	
		Pro/E file		catalog no	