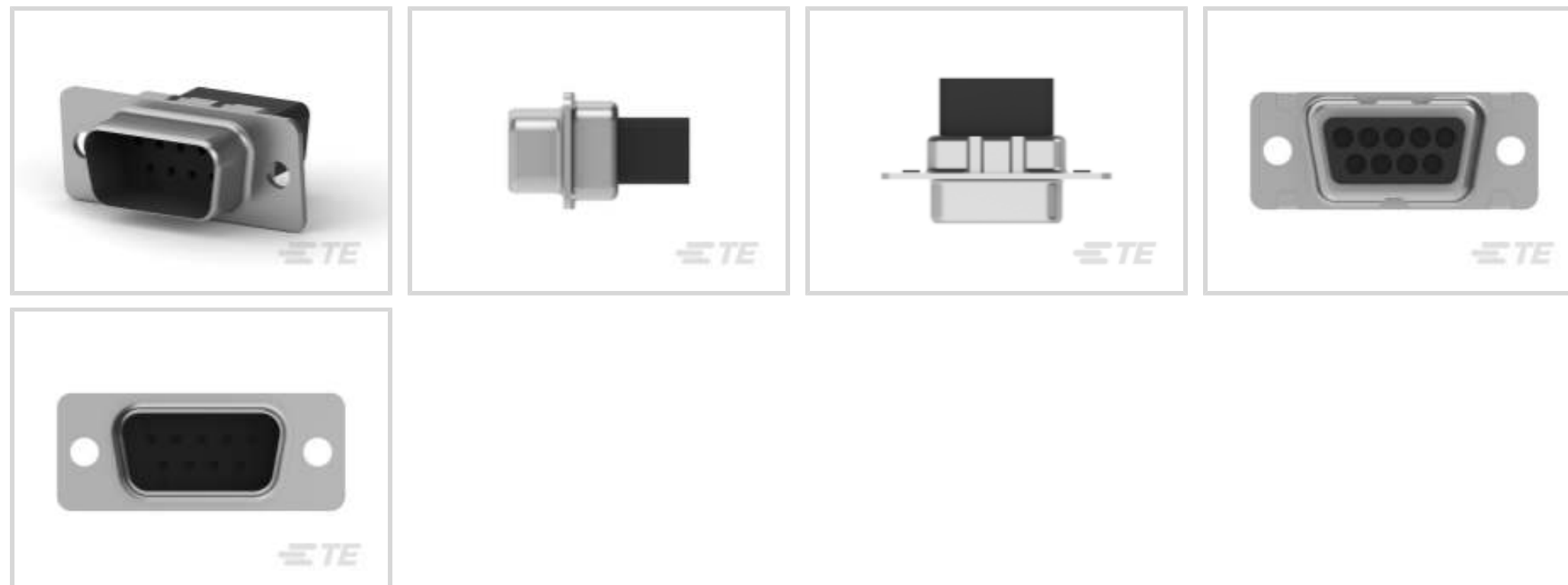




Connectors > D-Shaped Connectors > D-Sub Connectors > Crimp D-Sub Connectors



Connector & Housing Type: **Plug**

Connector System: **Wire-to-Wire**

Number of Positions: **9**

Connector Shell Size: **1**

Shielded: **No**

Features

Product Type Features

Connector & Housing Type	Plug
Connector System	Wire-to-Wire
Connector Shell Size	1
Sealable	No

Configuration Features

Number of Positions	9
---------------------	---

Operation/Application

Shielded	No
----------	----

Product Compliance

[For compliance documentation, visit the product page on TE.com>](#)

EU RoHS Directive 2011/65/EU	Compliant
EU ELV Directive 2000/53/EC	Compliant
China RoHS 2 Directive MIIT Order No 32, 2016	No Restricted Materials Above Threshold
EU REACH Regulation (EC) No. 1907/2006	



Current ECHA Candidate List: JUNE 2023 (235)
 Candidate List Declared Against: JUNE 2023 (235)
 Does not contain REACH SVHC

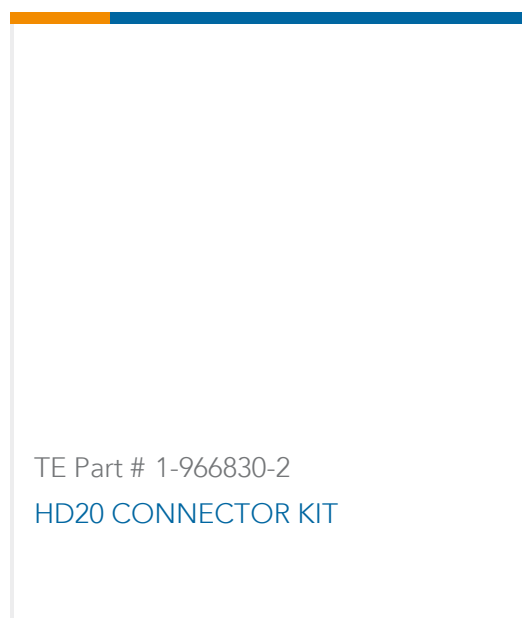
Halogen Content Not Low Halogen - contains Br or Cl > 900 ppm.

Solder Process Capability Not applicable for solder process capability

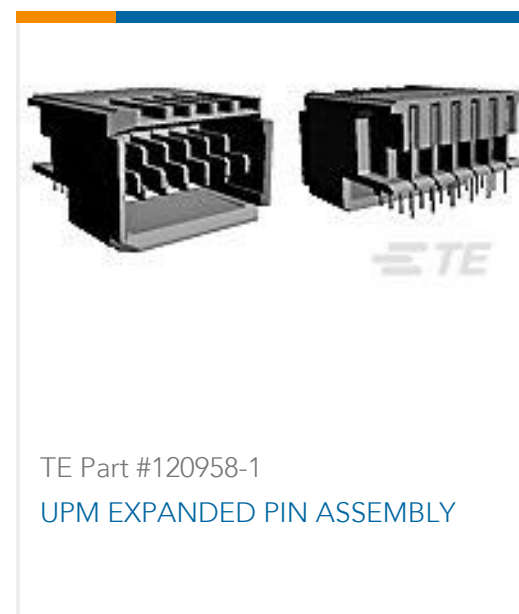
Product Compliance Disclaimer

This information is provided based on reasonable inquiry of our suppliers and represents our current actual knowledge based on the information they provided. This information is subject to change. The part numbers that TE has identified as EU RoHS compliant have a maximum concentration of 0.1% by weight in homogenous materials for lead, hexavalent chromium, mercury, PBB, PBDE, DBP, BBP, DEHP, DIBP, and 0.01% for cadmium, or qualify for an exemption to these limits as defined in the Annexes of Directive 2011/65/EU (RoHS2). Finished electrical and electronic equipment products will be CE marked as required by Directive 2011/65/EU. Components may not be CE marked. Additionally, the part numbers that TE has identified as EU ELV compliant have a maximum concentration of 0.1% by weight in homogenous materials for lead, hexavalent chromium, and mercury, and 0.01% for cadmium, or qualify for an exemption to these limits as defined in the Annexes of Directive 2000/53/EC (ELV). Regarding the REACH Regulation, the information TE provides on SVHC in articles for this part number is based on the latest European Chemicals Agency (ECHA) 'Guidance on requirements for substances in articles' posted at this URL: <https://echa.europa.eu/guidance-documents/guidance-on-reach>

Compatible Parts



Customers Also Bought





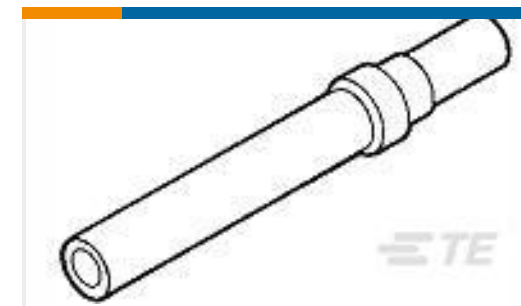
TE Part #171551-1
P.G SPADE



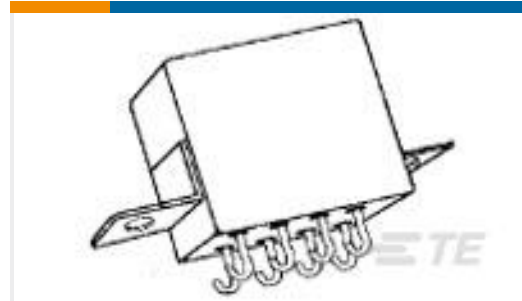
TE Part #6609105-9
PS0S0DBX0=C1177



TE Part #2-35109-1
PIDG 12-10 R 10; TAPE



TE Part #205090-2
SKT CONT ASSY,SZ 20,AMPLIMITE



TE Part #4-1617758-8
FCB-205-0223M=M83536/2-023M



TE Part #354150-E
ERMC 55 F 2 L1 * 3,00 A-E V-V * TRAY
247

Documents

CAD Files

3D PDF

3D

Customer View Model

[ENG_CVM_CVM_747520-2_F.2d_dxf.zip](#)

English

Customer View Model

[ENG_CVM_CVM_747520-2_F.3d_igs.zip](#)

English

Customer View Model

[ENG_CVM_CVM_747520-2_F.3d_stp.zip](#)

English

By downloading the CAD file I accept and agree to the [Terms and Conditions](#) of use.

Agency Approvals

UL Report

English