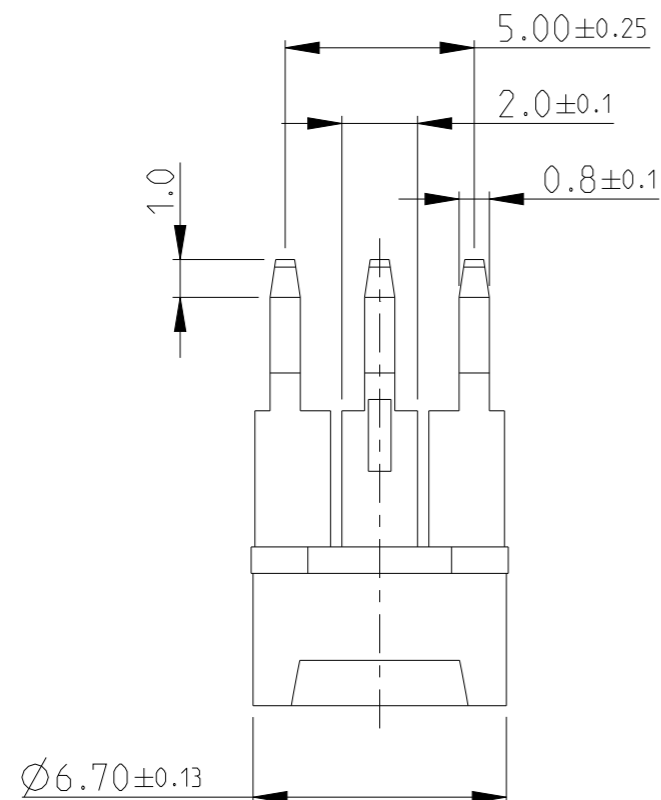
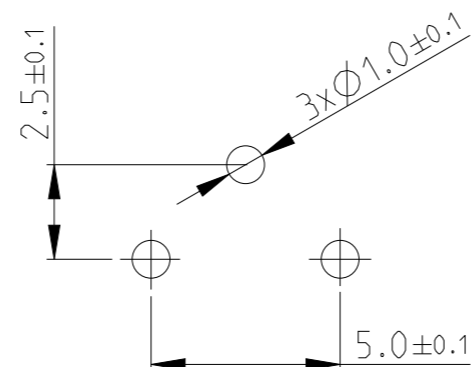


P	LTR	DESCRIPTION	DATE	DWN	APVD
	BA	NEW RELEASE	29JUL2008	SM	St.P
	BA1	OBSOLETE	25MAR2022	DM	AP
	BA2	RELEASED	07APR2022	DM	AP

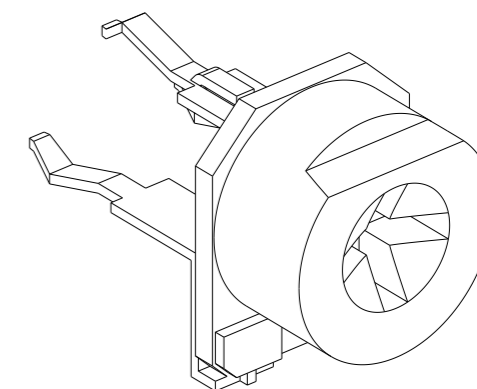
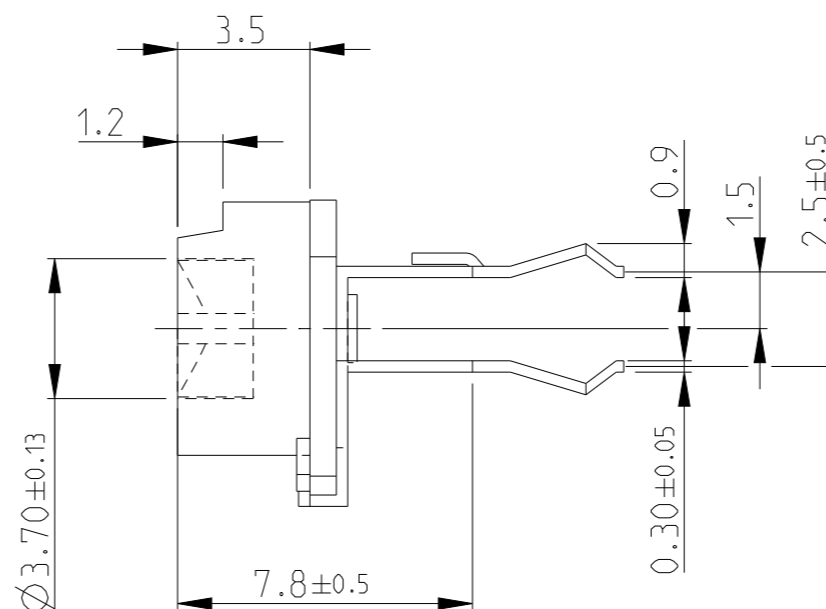
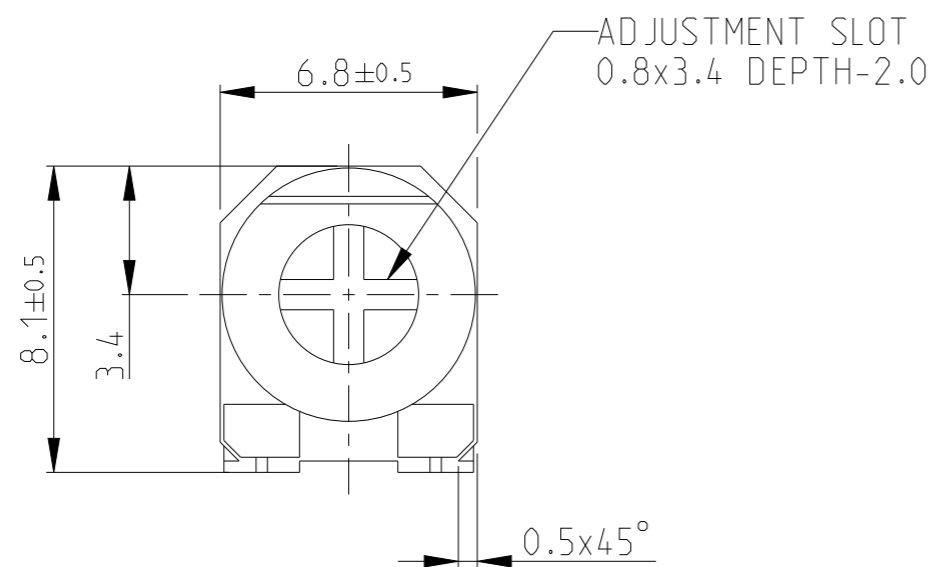


PCB PIERCING PLAN



FOR FURTHER INFORMATION SEE DATA SHEET FOR 416 SERIES-ECONOMY TRIMMERS

RoHS Compliant



THIS DRAWING IS A CONTROLLED DOCUMENT.

DWN	SUBHASH	29JUL2008
CHK	PRAKASH	29JUL2008
APVD	STEPHEN.P	29JUL2008



DIMENSIONS:	TOLERANCES UNLESS OTHERWISE SPECIFIED:
mm	
	0 PLC ±0.5
	1 PLC ±0.2
	2 PLC ±0.1
	3 PLC ±
	4 PLC ±
	ANGLES ±5°
MATERIAL	FINISH
-	-
-	-

NAME	ECONOMY TRIMMERS
PRODUCT SPEC	SERIES 416P
APPLICATION SPEC	-
WEIGHT	-
CUSTOMER DRAWING	-

SIZE	CAGE CODE	DRAWING NO	RESTRICTED TO
A3	00779	©=1623894	-
SCALE	SHEET	OF	REV
5:1	1	1	BA2