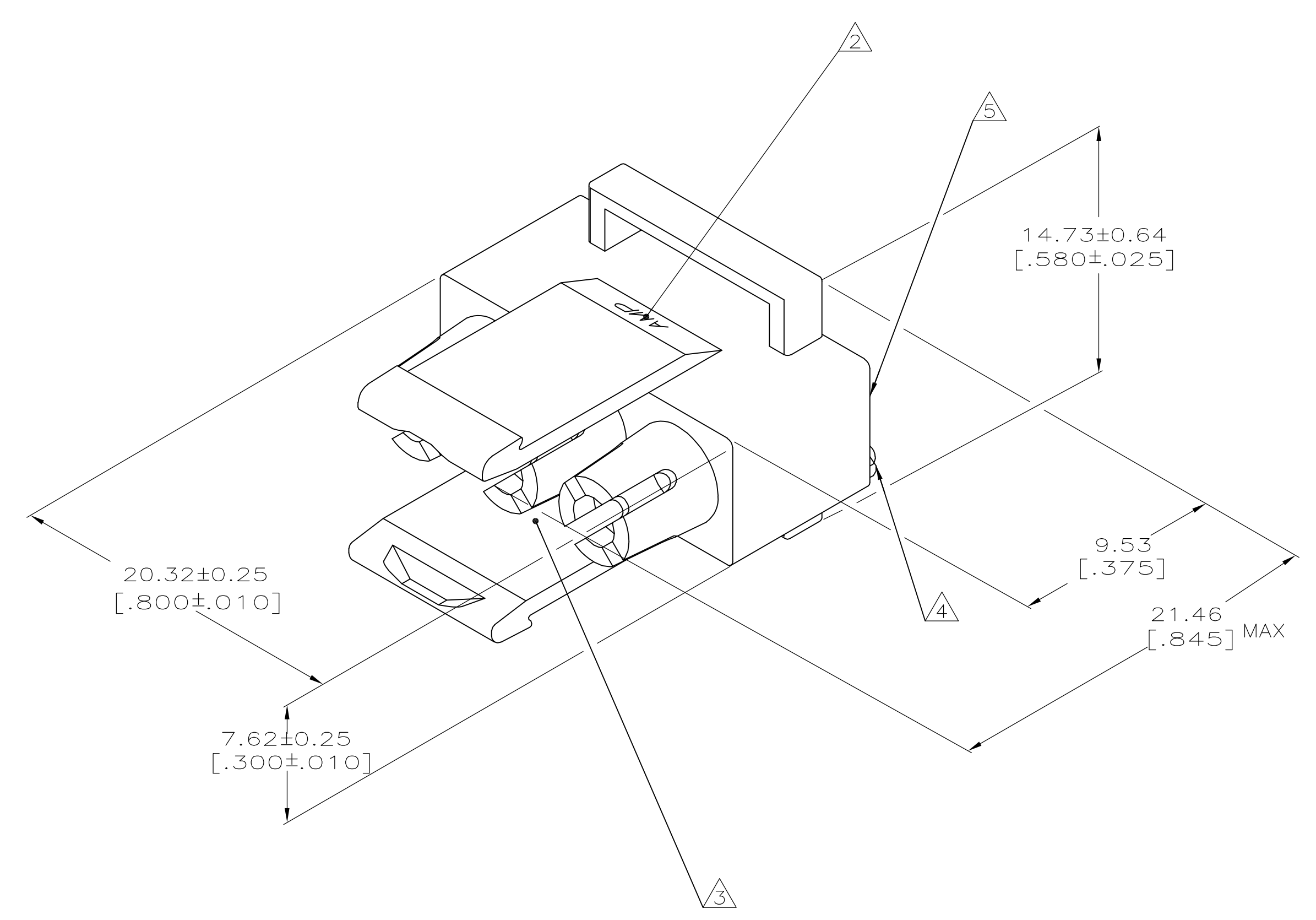


REVISIONS					
P	LTR	DESCRIPTION	DATE	DWN	APVD
E1		REVISED PER ECO-17-009556	03JUL2017	RS	SW



1. MUST BE ASSEMBLED WITH PLUG FRONT P/N 770033-1 BEFORE MATING. KIT P/N IS 770018-1.
- △ 2 AMP LOGO LOCATED THIS SURFACE.
- △ 3 UL AND CSA LOGOS LOCATED ON FARSIDE.
- △ 4 CIRCUIT NO. 1 IDENTIFICATION BUTTON LOCATED APPROXIMATELY AS SHOWN.
- △ 5 LOCATION OF CIRCUIT NUMBERS MOVE BUT WILL REMAIN ADJACENT TO APPROPRIATE CAVITY.
6. DIMENSIONS SHOWN REPRESENT PRODUCT IN DRY, AS MOLDED CONDITION. ADDITIONAL 2% GROWTH DUE TO SUBSEQUENT MOISTURE ABSORPTION MAY OCCUR AND SHOULD BE ACCOUNTED FOR
7. DIMENSIONS IN BRACKETS ARE IN INCHES.

770034-1
PART NUMBER

METRIC

THIS DRAWING IS A CONTROLLED DOCUMENT.		DWN K. SALMON 1-15-92	TE Connectivity	
DIMENSIONS: INCHES		CHK R. SWING 1-15-92	NAME PLUG REAR, 3 CIRCUIT, UNIVERSAL MATE-N-LOK	
TOLERANCES UNLESS OTHERWISE SPECIFIED:		APVD -	PRODUCT SPEC -	
0 PL/C ± -		APPLICATION SPEC -		
1 PL/C ± -		SIZE A1		
2 PL/C ± -		CAGE CODE 00779		
3 PL/C ± 0.13 [.005]		DRAWING NO 770034		
4 PL/C ± -		WEIGHT 0.000000		
ANGLES ± -		CUSTOMER DRAWING		
FINISH -		SCALE 5:1 SHEET 1 OF 1 REV E1		