

ENG. NO SEE TABLE

EDP NO.

SIMILAR ITEM

CAD FILE NO. S6728502.S01

DO NOT SCALE DRAWING

NOTES :

1. MATERIAL :

HOUSING : POLYESTER , UL94-V0 , COLOR:(a) BLACK (b) WHITE
 TERMINAL : PHOSPHOR BRONZE
 METAL SHELL : COPPER ALLOY

2. PLATING :

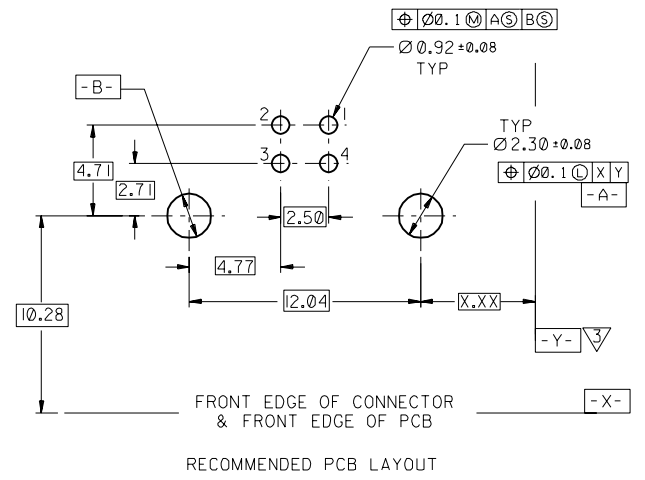
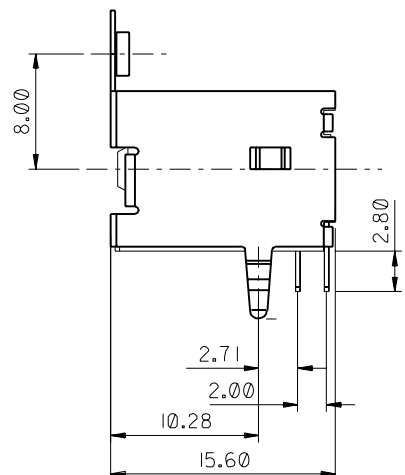
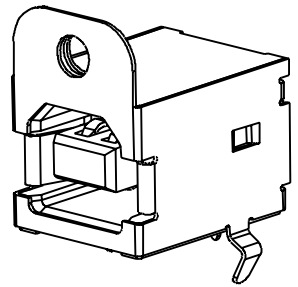
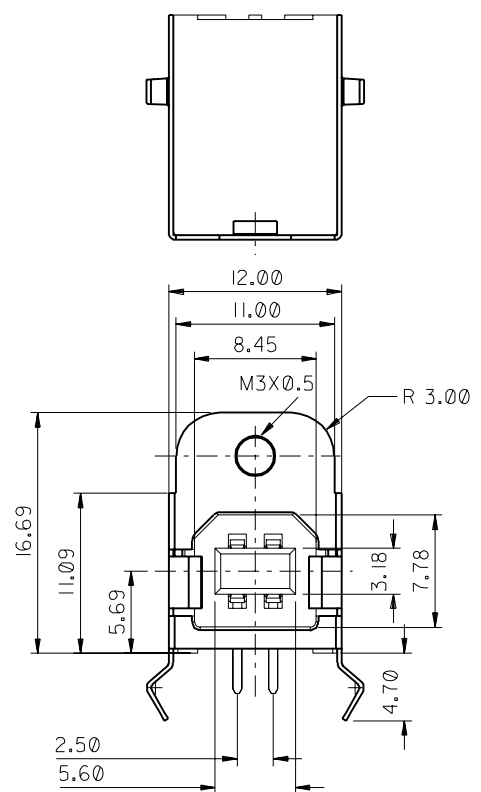
TERMINAL :

CONTACT AREA : (a) GOLD FLASH.
 (b) GLOD (Au), THICKNESS = 30 MICROINCH/0.76 MICROMETER
 SOLDER TAIL : TIN-LEAD (Sn-Pb) ALLOY,
 THICKNESS= 150 MICROINCH /3.8 MICROMETER
 UNDER PLATE : NICKEL (Ni), THICKNESS= 50 MICROINCH/1.27 MICROMETER
 METAL SHELL :

TIN-LEAD (Sn-Pb) ALLOY , THICKNESS= 100 MICROINCH/2.54 MICROMETER
 UNDER PLATE : NICKEL (Ni) , THICKNESS= 50 MICROINCH/1.27 MICROMETER

3 DATUM AND BASIC DIMENSIONS ESTABLISHED BY CUSTOMER
 RECOMMENDED PCB THICKNESS : 1.60±0.05

4 PRODUCT SPECIFICATION : REFER TO PS-67998-0000
 5 THE SCREW LOCK TORQUE IS 1.2 kgf-cm MINIMUM



PART NUMBER LEGEND:

P/N	COLOR	CONTACT PLATING
67285-0000	BLACK	GOLD FLASH
67285-0001	BLACK	0.76 MICROMETER/30 MICROINCH GOLD
67285-1000	WHITE	GOLD FLASH
67285-1001	WHITE	0.76 MICROMETER/30 MICROINCH GOLD

ADD NOTES 5
 EC NO. T2001-0115
 DRWN: RICHARD HO 010129
 CHK: VINCENT
 APPR: MEGA LIN

REMOVE THE DIMENSION
 EC NO. T1999-0310
 DRWN: SAM SHIN 990603
 CHK: VINCENT 990603
 APPR: MEGA LIN 990603

QUALITY SYMBOLS
 MAJOR
 CRITICAL

GENERAL TOLERANCES:
 (UNLESS SPECIFIED)

	mm	INCH
4 PLACES	±0.	±.
3 PLACES	±0.	±.
2 PLACES	±0.25	±0.10
1 PLACE	±0.25	±0.10

ANGULAR: +3°

DRAFT WHERE APPLICABLE MUST REMAIN WITHIN DIMENSIONS

SCALE 3:1
 DESIGN UNITS mm INCH
 THIRD ANGLE PROJECTION
 DRAWN BY & DATE SAM SHIN
 CHECKED BY & DATE
 APPROVED BY & DATE
 CAD FILENAME S6728502.S01

TITLE: SALES DRAWING OF USB" B" R/A CONNECTOR WITH SCREW FLANGE

MATERIAL NO. SEE TABLE
 DRAWING NO. SD-67285-002
 SHEET NO. 1

THIS DRAWING CONTAINS INFORMATION THAT IS PROPRIETARY TO MOLEX INCORPORATED AND SHOULD NOT BE USED WITHOUT WRITTEN PERMISSION.

F
E
D
C
B
A