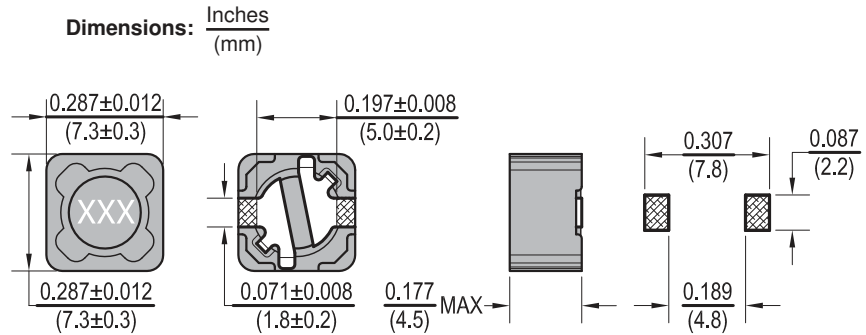
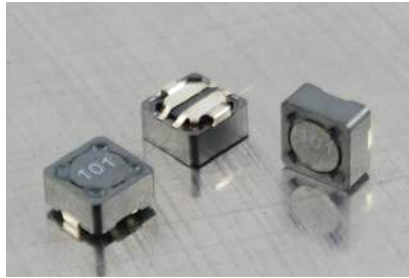




Power Chip Shielded Inductors PCSDR74



Allied Part Number	Inductance (µh)	Tolerance (%)	Test Freq. KHz, 0.1V	DCR (Ω)	I _{rms} (A)	I _{sat} (A)
PCSDR74-R33M-RC	0.33	20	100	0.0089	6.194	18.340
PCSDR74-R56M-RC	0.56	20	100	0.0104	5.729	13.100
PCSDR74-1R0M-RC	1.0	20	100	0.0119	5.355	10.120
PCSDR74-1R5M-RC	1.5	20	100	0.0142	4.905	8.340
PCSDR74-2R2M-RC	2.2	20	100	0.0151	4.747	7.050
PCSDR74-2R7M-RC	2.7	20	100	0.0185	4.287	6.110
PCSDR74-3R3M-RC	3.3	20	100	0.0220	3.939	5.340
PCSDR74-3R9M-RC	3.9	20	100	0.0262	3.605	4.830
PCSDR74-5R2M-RC	5.2	20	100	0.0403	2.907	4.370
PCSDR74-6R8M-RC	6.8	20	100	0.0502	2.606	3.670
PCSDR74-8R2M-RC	8.2	20	100	0.0529	2.537	3.400
PCSDR74-100M-RC	10	20	100	0.0587	2.410	3.160
PCSDR74-120M-RC	12	20	100	0.0676	2.246	2.780
PCSDR74-150M-RC	15	20	100	0.0764	2.111	2.480
PCSDR74-180M-RC	18	20	100	0.0937	1.907	2.350
PCSDR74-220M-RC	22	20	100	0.1110	1.752	2.130
PCSDR74-270M-RC	27	20	100	0.1413	1.553	1.870
PCSDR74-330M-RC	33	20	100	0.1716	1.409	1.730
PCSDR74-390M-RC	39	20	100	0.2154	1.258	1.610
PCSDR74-470M-RC	47	20	100	0.2592	1.146	1.410
PCSDR74-560M-RC	56	20	100	0.2886	1.086	1.330
PCSDR74-680M-RC	68	20	100	0.3180	1.035	1.190
PCSDR74-820M-RC	82	20	100	0.4140	0.907	1.100
PCSDR74-101M-RC	100	20	100	0.4596	0.861	0.986
PCSDR74-121M-RC	120	20	100	0.5844	0.764	0.908
PCSDR74-151M-RC	150	20	100	0.7092	0.693	0.812
PCSDR74-181M-RC	180	20	100	0.8988	0.616	0.746
PCSDR74-221M-RC	220	20	100	1.0884	0.559	0.660
PCSDR74-271M-RC	270	20	100	1.3902	0.495	0.607
PCSDR74-331M-RC	330	20	100	1.6920	0.449	0.543
PCSDR74-391M-RC	390	20	100	1.8900	0.425	0.501
PCSDR74-471M-RC	470	20	100	2.0880	0.404	0.461
PCSDR74-561M-RC	560	20	100	2.5920	0.363	0.419
PCSDR74-681M-RC	680	20	100	3.0960	0.332	0.384
PCSDR74-821M-RC	820	20	100	3.5160	0.311	0.349
PCSDR74-102M-RC	1000	20	100	4.6680	0.270	0.313
PCSDR74-122M-RC	1200	20	100	5.2223	0.255	0.287

All specifications subject to change without notice.

Features

- Magnetically Shielded
- High saturation current as high as 18A
- Expanded operating temp range
- Low DC Resistance
- High Energy Storage
- Low Energy Loss
- Suitable for pick and place

Electrical

Inductance Range: .33µh to 1200µh

Tolerance: 20% entire inductance range
Available in tighter tolerances

Test Frequency: 1KHz, 0.1V

Operating Temp: -55°C ~ +125°C

Storage Temp: -40°C ~ +85°C

I_{rms}: Current at which the ΔT=40°C

I_{sat}: Current at which the inductance drops 35% from initial value

Resistance to Soldering Heat

Pre-Heat 150°C, 1 Min.

Solder Composition: Sn/Ag3.0/Cu0.5

Solder Temp: 260°C +/- 5°C

Immersion time: 10 sec. +/- 1 sec.

Test Equipment

(L): HP 4284A LCR meter or equivalent

(RDC): HP 4338B Milliohm meter or equivalent

(IDC): 3260B WK & DC Bias 3265B WK

Physical

Packaging: 1000 pieces per 13 inch reel.

Marking: EIA Inductance Code.

Schematic

