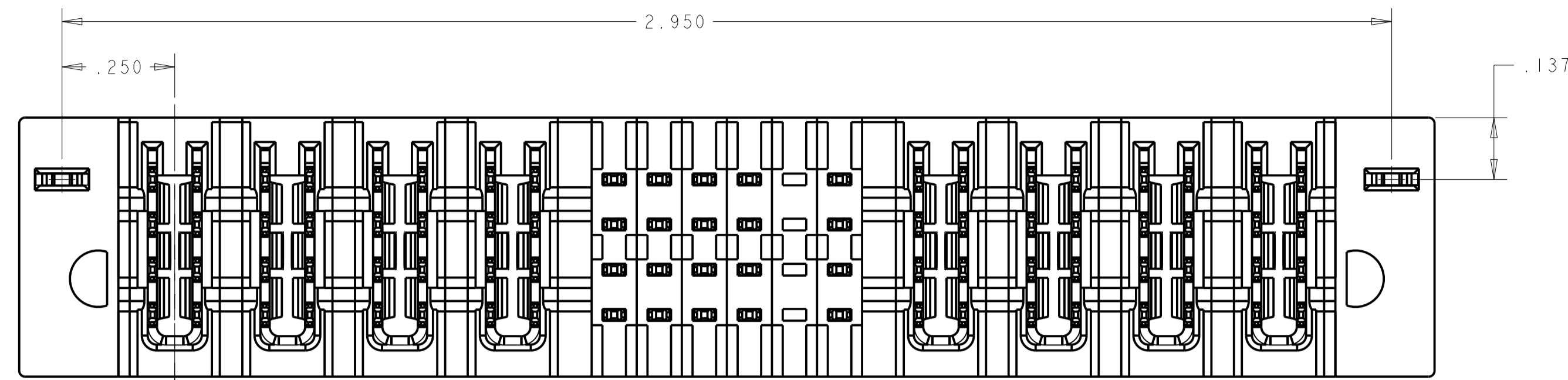
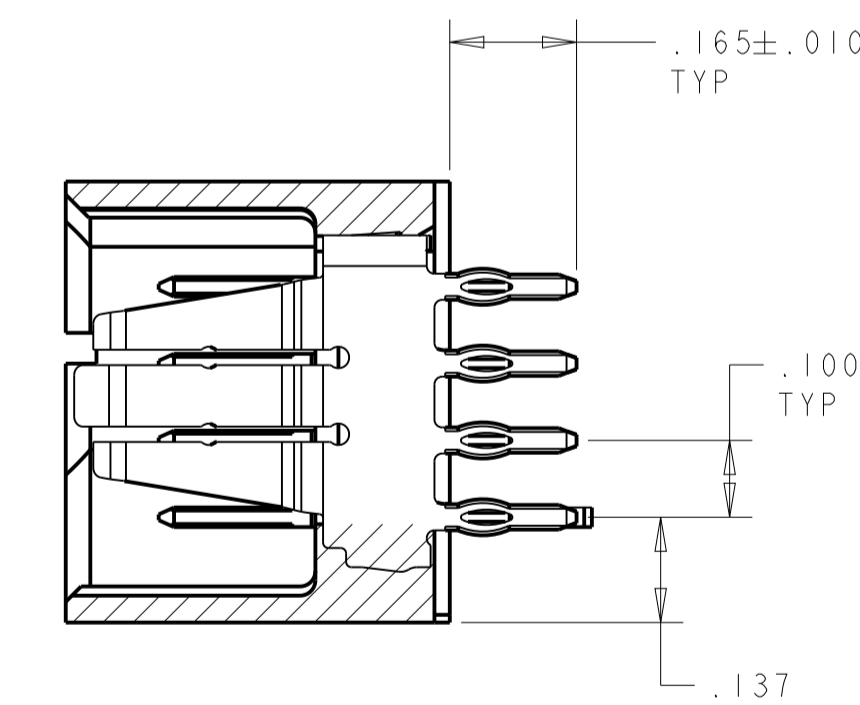
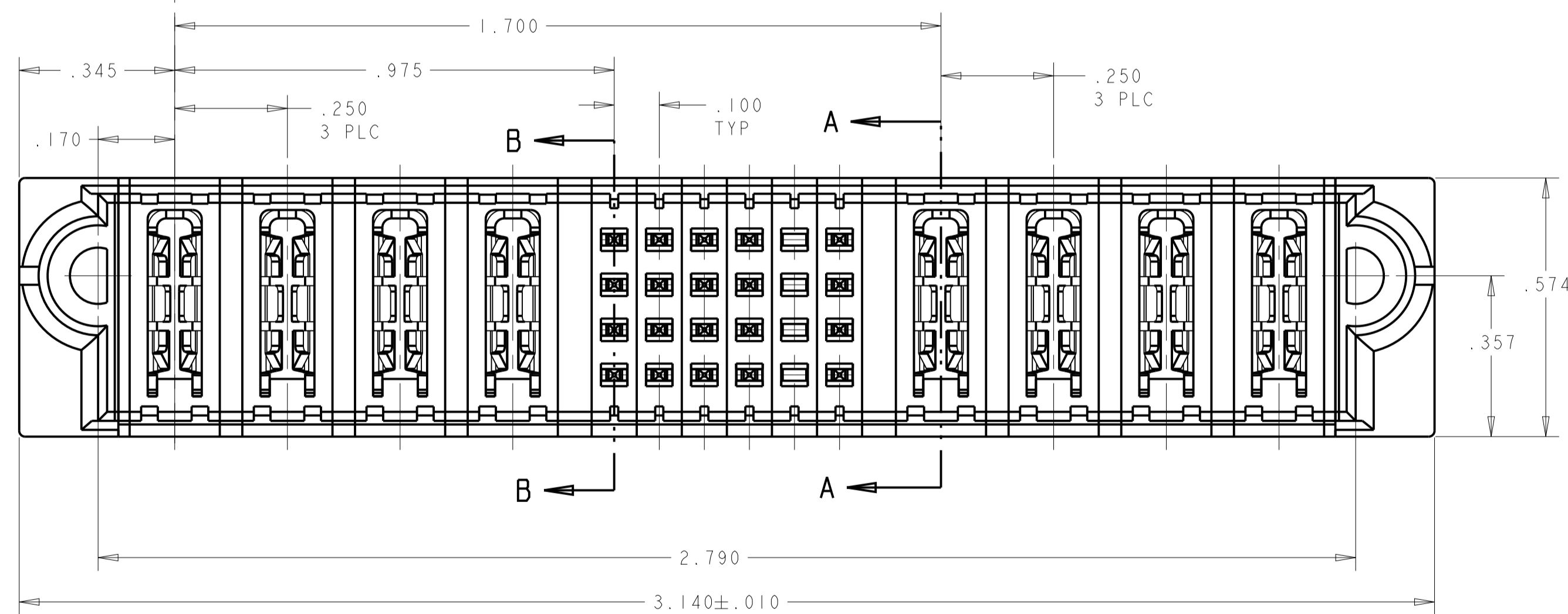
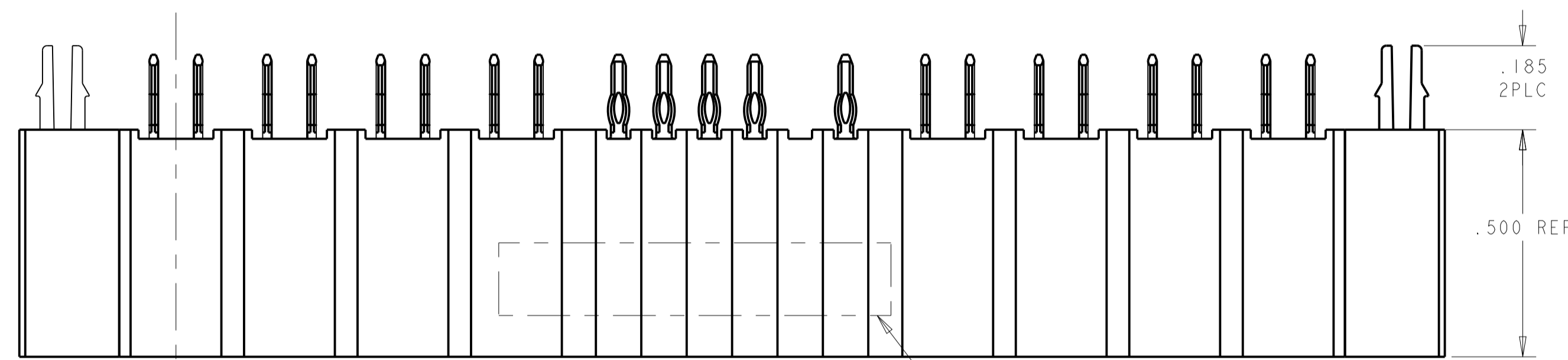


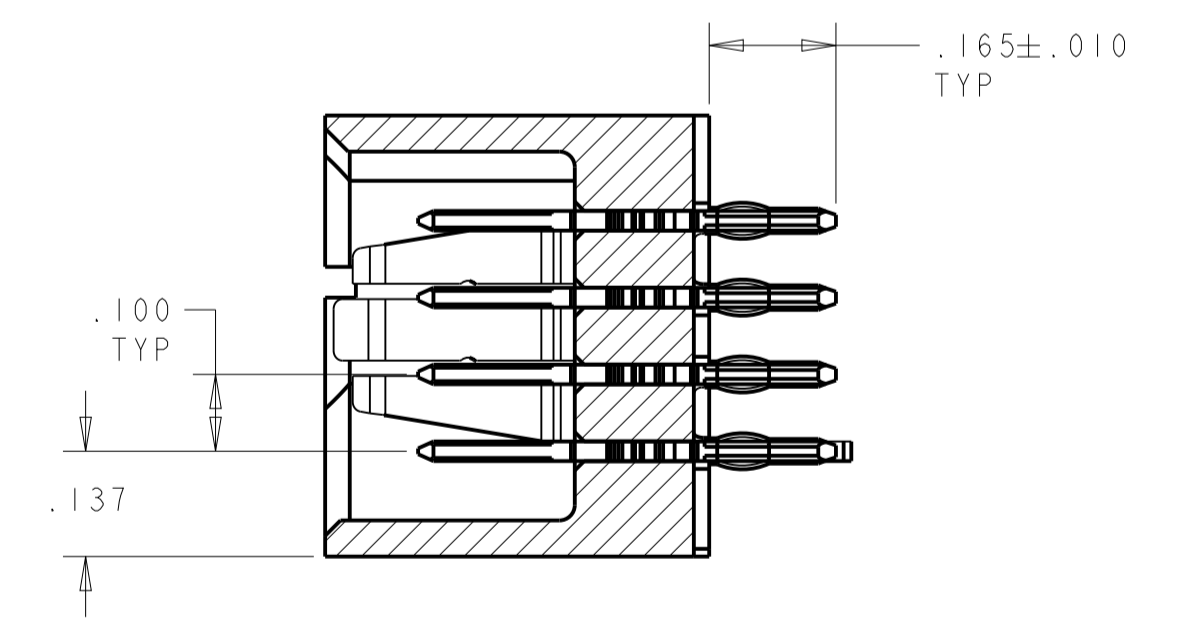
LOC		DIST		REVISIONS					
ES		00		P	LTN	DESCRIPTION	DATE	DWN	APVD
1						PROPOSAL DESIGN	16APR2007	SZ	SY
2						REV PER ECR-07-009456	19APR2007	SZ	SY
3						REV PER ECR-07-028571	28NOV2007	HL	SY
4						REV PER ECR-14-002489	24FEB2014	OL	SZ



- 1 HEADER HOUSING: THERMO PLASTIC, BLACK, UL94 V-0; CONTACTS AND RETENTION CLIPS: COPPER ALLOY.
- 2 CONTACT PLATING: NOBLE METAL PLATING ON CONTACT FUNCTIONAL AREA OF POWER AND SIGNAL CONTACTS
- 3 "AMP", PART NUMBER AND DATE CODE MARKED IN THIS AREA. PARTS UNDER 2.50 LONG MAY BE MARKED ON BOTH SIDES.
- 4 DATUM AND BASIC DIMENSIONS ESTABLISHED BY CUSTOMER.
- 5 PCB - ALL HOLE DIAMETERS ARE FINISHED HOLE SIZES.
- 6 A SEATING TOOL IS REQUIRED TO SEAT THE HEADER ON THE P.C. BOARD. PLEASE REFER TO THE 114-13038 APPLICATION SPEC.
- 7 MECHANICAL CONNECTOR KEEP OUT ZONE.



SECTION A-A



SECTION B-B

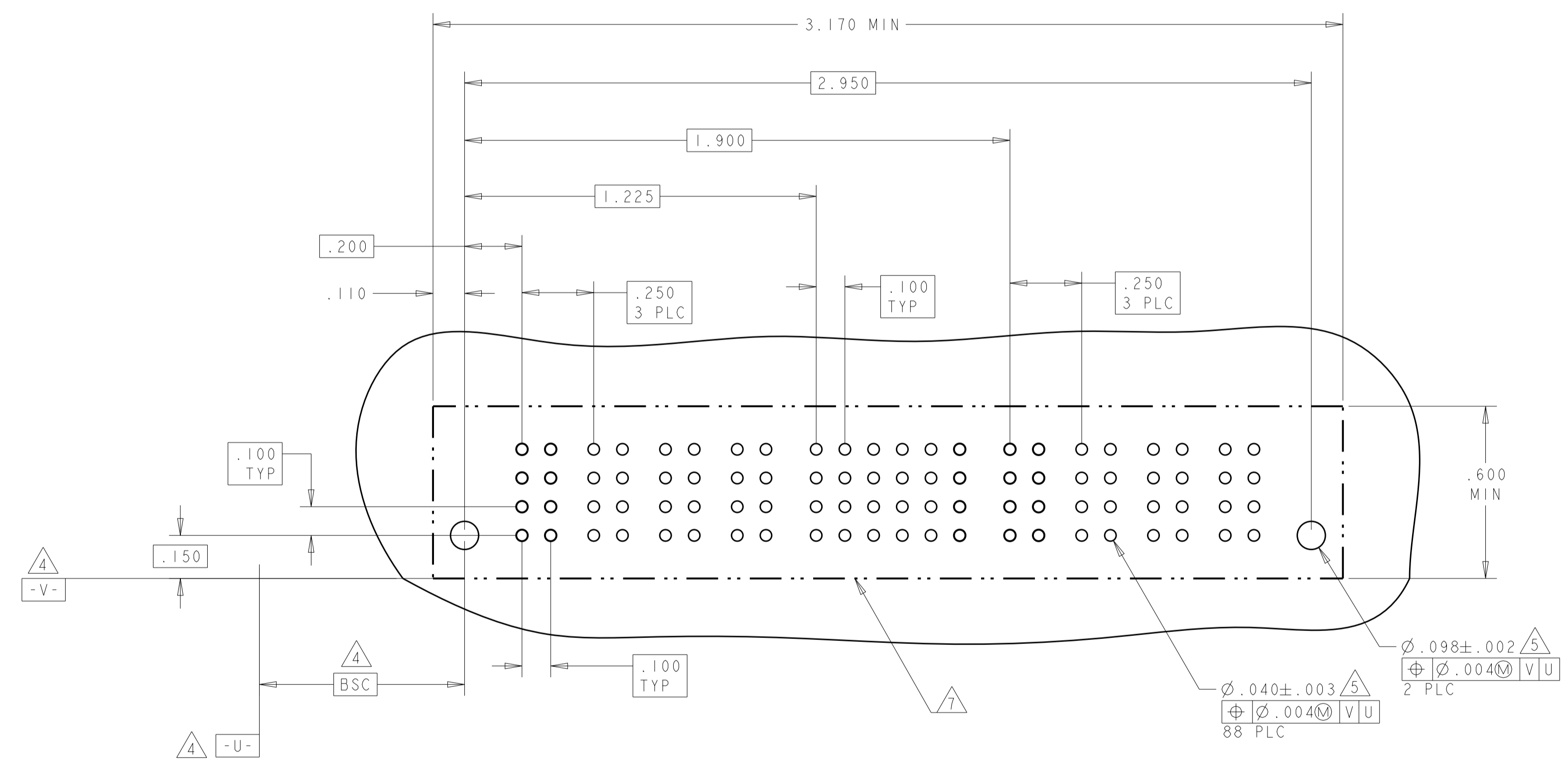
4P + 24S + 4P	1888766-1
DESCRIPTION	PART NUMBER

<small>THIS DRAWING IS UNPUBLISHED. RELEASED FOR PUBLICATION BY TYCO ELECTRONICS CORPORATION. ALL RIGHTS RESERVED.</small>		DWN: S. ZHAO 16APR2007 CHK: S. ZHAO 16APR2007 APVD: S. YAO	Tyco Electronics Corporation Shanghai, P.R. China, 200233
DIMENSIONS: INCHES 	TOLERANCES UNLESS OTHERWISE SPECIFIED: 0 PLC ±. 1 PLC ±. 2 PLC ±. 3 PLC ±.005 4 PLC ±. ANGLES ±7° FINISH	NAME: S. YAO PRODUCT SPEC: 108-1973 APPLICATION SPEC: 114-13038 WEIGHT:	NAME: VERTICAL HEADER ASSEMBLY W/ SHORT END MODULES MULTI-BEAM XLE SIZE: A1 CAGE CODE: 100779 DRAWING NO: 1888766 RESTRICTED TO:
MATERIAL:		CUSTOMER DRAWING	SCALE: 4:1 SHEET 1 OF 2 REV 4

LOC	DIST	REVISIONS			
ES	00	REV	DATE	BY	APPD
-	-	SEE SHEET 1	-	-	-

PART NUMBER	ROWS	POWER				SIGNAL						POWER			
		P1	P2	P3	P4	1	2	3	4	5	6	P7	P8	P9	P10
1888766-1	D	VM	VM	VM	VM	ES	ES	ES	ES	•	ES	VM	VM	VM	VM
	C					ES	ES	EV	ES	•	ES				
	B					ES	EV	ES	ES	•	ES				
	A					ES	ES	ES	ES	•	ES				
4P + 24S + 4P		HD													

NO CONTACTS LOADED



HOLD DOWN	HD
SIGNAL CONTACT MFBL	ES
SIGNAL CONTACT STD	EV
POWER CONTACT	VM
DESCRIPTION	CODE

<small>THIS DRAWING IS UNPUBLISHED. RELEASED FOR PUBLICATION. IT IS THE PROPERTY OF TYCO ELECTRONICS CORPORATION. IT IS TO BE USED FOR THE PURPOSES AND IN THE QUANTITIES SPECIFIED IN THE ORDER. IT IS TO BE RETURNED TO TYCO ELECTRONICS CORPORATION UPON COMPLETION OF THE PROJECT. IT IS TO BE DESTROYED UPON THE REQUEST OF TYCO ELECTRONICS CORPORATION.</small>		DWN S. ZHAO 16APR2007 CHK S. ZHAO 16APR2007 APVD S. YAO	Tyco Electronics Corporation Shanghai, P.R. China, 200233
DIMENSIONS: INCHES 	TOLERANCES UNLESS OTHERWISE SPECIFIED: 0 PLC ± 1 PLC ± 2 PLC ± 3 PLC ±.005 4 PLC ± ANGLES ±°	NAME VERTICAL HEADER ASSEMBLY W/ SHORT END MODULES MULTI-BEAM XLE	SIZE CAGE CODE DRAWING NO A1100779C=1888766
MATERIAL	FINISH	PRODUCT SPEC 108-1973 APPLICATION SPEC 114-13038 WEIGHT	RESTRICTED TO CUSTOMER DRAWING SCALE 4:1 SHEET 2 OF 2 REV 4