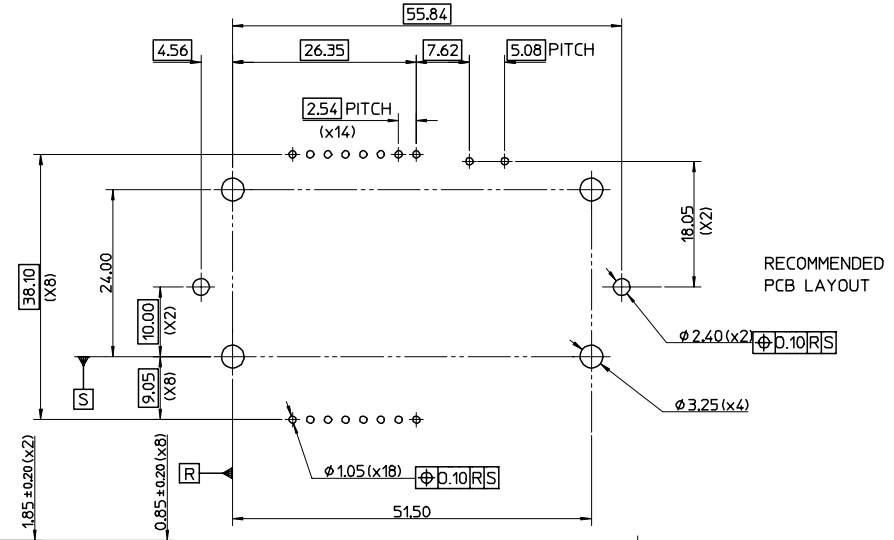
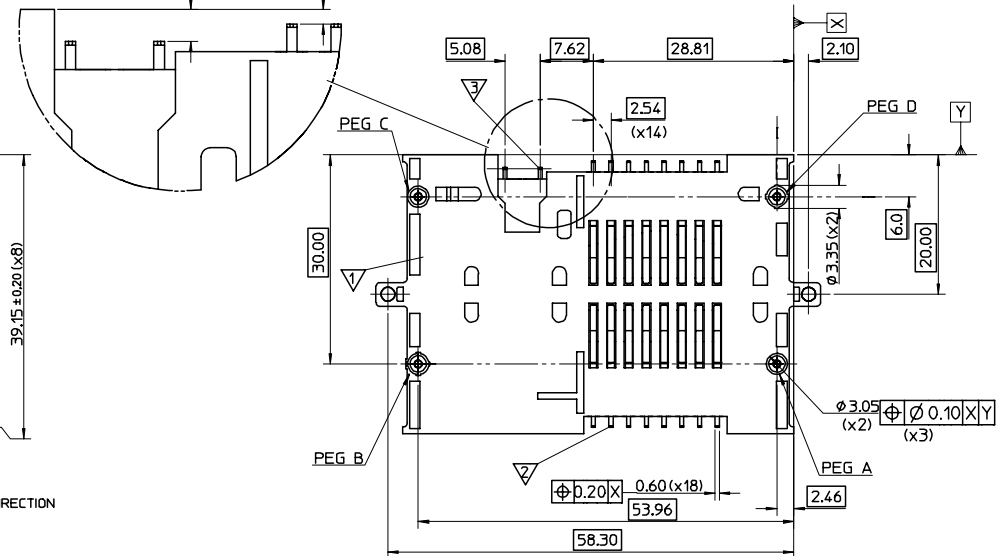
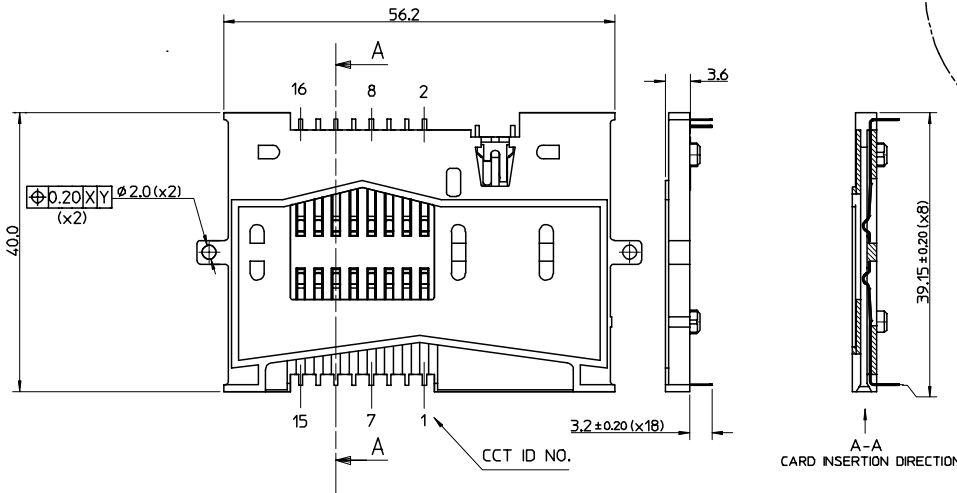


ITEM	COMPONENT	QTY	MATERIAL
▽	HOUSING	1	POLYAMIDE (PA46) ,45% GLASS FILL ,COLOUR BLACK
▽	SIGNAL TERMINAL	SEE CHART	0.20 REF. THK. PHOSPHOR BRONZE GOLD OVER NICKEL ON CONTACT AREA
▽	SWITCH CONTACT	1	TIN IN SOLDER AREA. NICKEL UNDERCOAT ALLOVER

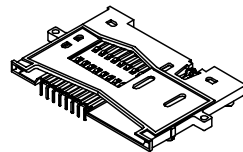
PART NO.	CCT SIZE	WITH PEGS	HOLD DOWN FEATURES	PART NO.	CCT SIZE	WITH PEGS	HOLD DOWN FEATURES
91322-0004	8	A,B,C,D	YES	91322-0003	16	A,B,C,D	YES
91322-0026	8	A,B,C,D	NO	91322-0040	16	A,B,C,D	NO
91322-0019	8	A,C	YES	91322-0033	16	A,C	YES
91322-0020	8	A,C	NO	91322-0034	16	A,C	NO
91322-0021	8	B,D	YES	91322-0035	16	B,D	YES
91322-0022	8	B,D	NO	91322-0036	16	B,D	NO
91322-0023	8	NONE	YES	91322-0037	16	NONE	YES
91322-0024	8	NONE	NO	91322-0038	16	NONE	NO



RECOMMENDED
PCB LAYOUT



NOTES:
1. SEE PRODUCT SPECIFICATION PS-91321-005
2. PACKAGING: TRAYS.



DRAWING ERROR	QUALITY SYMBOLS	GENERAL TOLERANCES (UNLESS SPECIFIED)		SCALE 2 : 1	DESIGN UNITS METRIC	THIRD ANGLE PROJECTION	REVISE ON CAD ONLY
		mm	INCH				
EC NO: E2006-0249 DRAWN: DBYRNES 08/11/2004 CHKD: BMAGUIRE 2005/10/04 APPR: BMAGUIRE 2005/10/12	▽ 0 ∇ 0	4 PLACES	± ---	± ---	DIMENSION STYLE MM ONLY	TITLE SMART CARD CONNECTOR FRICTION (THRU HOLE)	SHEET NO. 1 OF 1
		3 PLACES	± ---	± ---			
		2 PLACES	± 0.05	± ---			
		1 PLACE	± 0.10	± ---			
DRAFT WHERE APPLICABLE		ANGULAR ±1/2°		APPROVED BY MWLHITE		DATE 98/08/28	
MUST REMAIN WITHIN DIMENSIONS				MATERIAL NO. SEE CHART		DOCUMENT NO. SD-91322-005	
THIS DRAWING CONTAINS INFORMATION THAT IS PROPRIETARY TO MOLEX INCORPORATED AND SHOULD NOT BE USED WITHOUT WRITTEN PERMISSION							