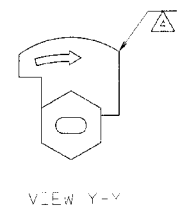
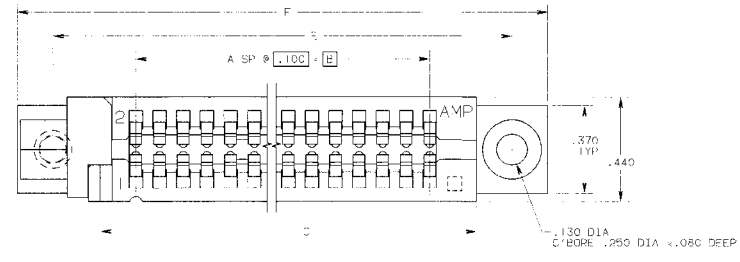
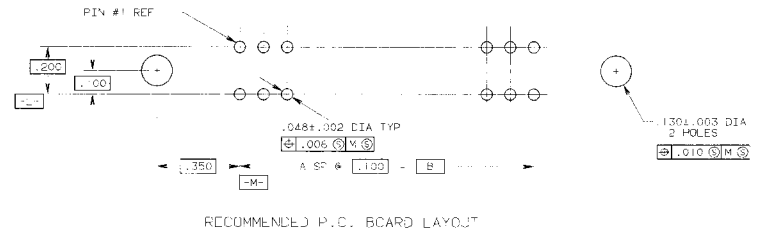
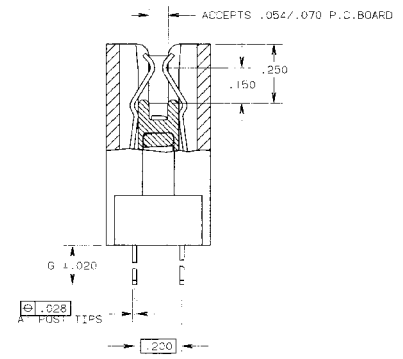
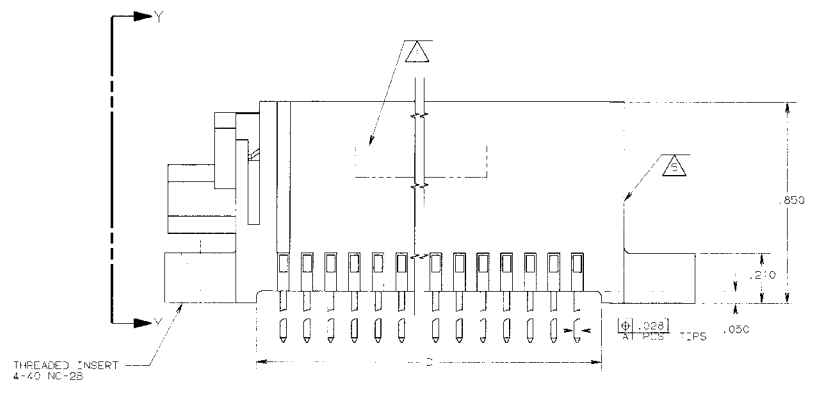


THIS DRAWING IS UNPUBLISHED. RELEASED FOR PUBLICATION. PUB DATE: 1983
 © 1983 AMP INCORPORATED. HARRISBURG, PA. ALL INTERNATIONAL RIGHTS RESERVED. AMP PRODUCTS MAY BE COVERED BY U.S. AND FOREIGN PATENTS AND/OR PATENTS PENDING.

LOC		DIST		REV		REVISIONS		DATE	APPD
A/C	1/4	F	LTR	DESCRIPTION	DATE	BY	CHK	CP	EN
		✓	✓	B	DESIGN & DRAWING PER AD4760	8/1/83	DN		ES
		✓	✓	C	REVISED PER AD4760	10/90	CP		MA



- △ PART NUMBER AND DATE CODE STAMPED IN THIS AREA ON EITHER SIDE.
- △ CONTACT: COPPER ALLOY
HOUSING: GLASS FILLED POLYESTER 94 VO, COLOR-BLACK
CAM ROD: STAINLESS STEEL
BOARD LOCK: GLASS FILLED NYLON, COLOR-BLACK
INSERT: BRASS
- △ CONTACT: .000030 GOLD SELECTIVE PLATED IN CONTACT AREA 1 IN LEAD .000100 MINIMUM THICKNESS ON POST TIPS, OVER NICKEL UNDER PLATE .000050 MINIMUM THICKNESS ALL OVER
- △ CAM ROD AND BOARD LOCK SHIPPED WITH EACH CONNECTOR. ROTATE IN DIRECTION OF ARROW TO OPEN.
- △ CAM ROD MAY NOT EXTEND BEYOND HOUSING SURFACE.



UNLESS OTHERWISE SPECIFIED DIMENSIONS ARE IN INCHES		TOLERANCES UNLESS OTHERWISE SPECIFIED		MATERIALS		PROPERTY		APPLICATION		STUFF		DRAWING	
FR	DR	FR	DR	FR	DR	FR	DR	FR	DR	FR	DR	FR	DR
1.60	3.400	3.100	2.600	2.800	2.400	24	25/50	650019-1					
S	F	E	D	C	S	A		POSITION					PART NO
DR	K. NOLT	3/13/83											
DR	D. SORENC	3/13/83											
DR	D. SORENC	3/13/83											
NAME	ROTARY ZIF ASSEMBLY												
NAME	.100 x .200 SOLDER PCST, OPEN BOTH ENDS												
PROPERTY	108-9048												
APPLICATION													
STUFF	D												
FR	00779												
FR	650019												
SCALE	4:1												
SHEET	4 OF 1												

CUSTOMER DRAWING