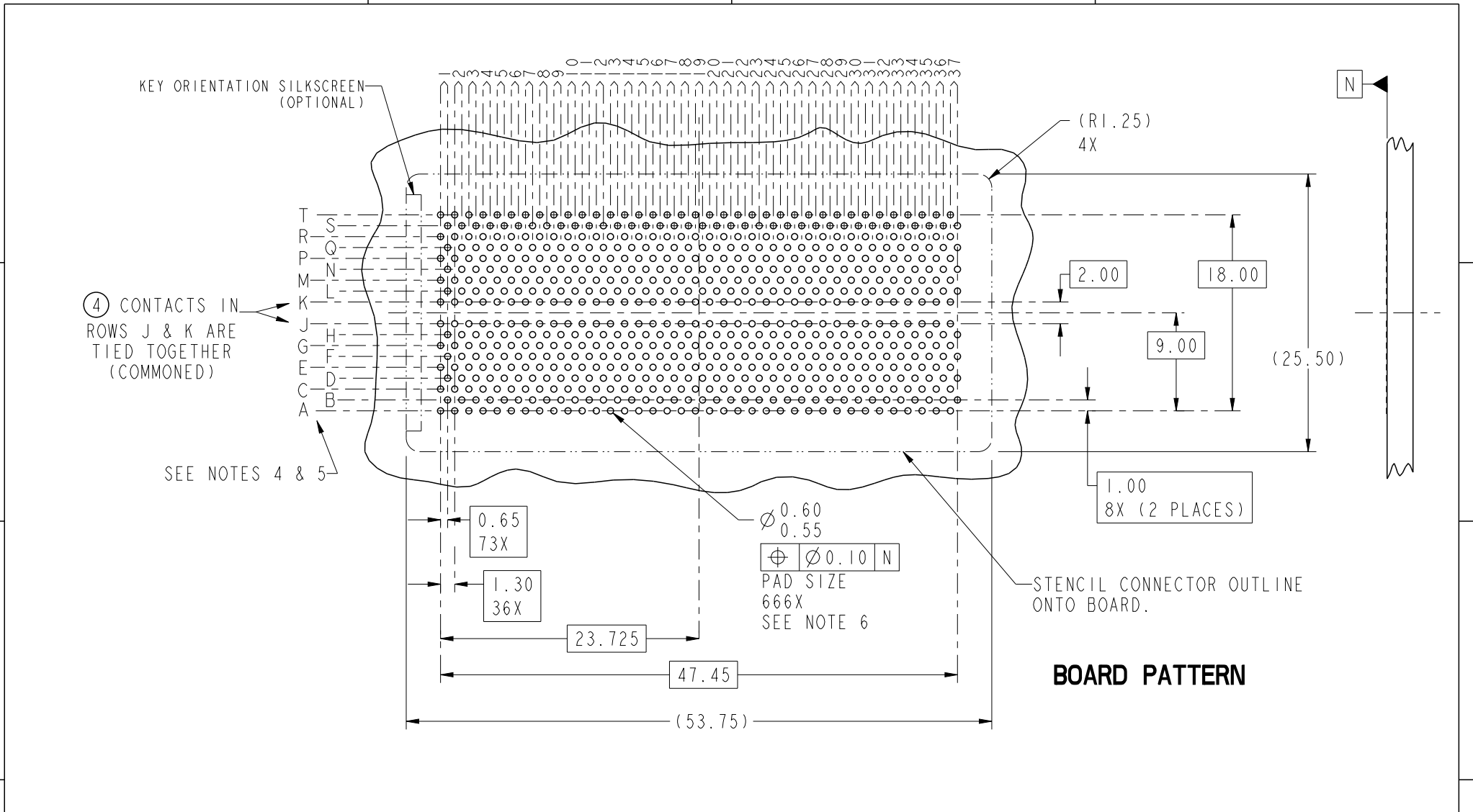






Copyright FCI.

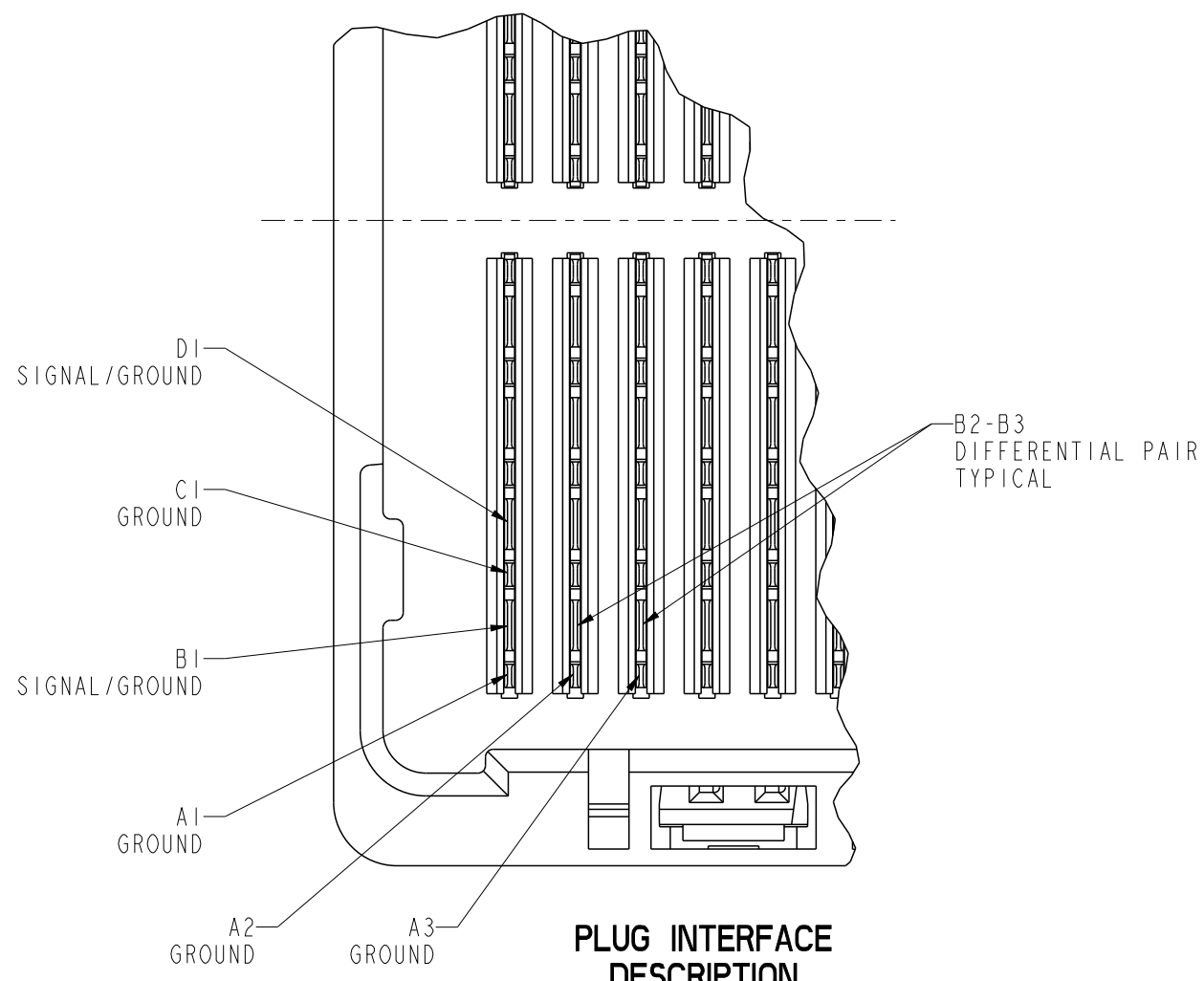


spec ref		-		dr	Bill Lin	2010/02/02	projection 	mm 	size	A4	scale	1:1
tolerance std		TOLERANCES UNLESS OTHERWISE SPECIFIED		eng	Nickor Zuo	2011/05/26			ecn no	ELX-DG-003943-1		
ASME Y14.5				chr	Alex Cao	2011/06/24			rel level	Released		
-				appr	Pei-Ming Zheng	2011/06/27	product family		GIG-Array			
surface	3.2	linear	0.X	±0.30		GIG-Array	dwg no	10026804		rev	E	
			0.XX	±0.10								
			0.XXX	±0.05								
ASME Y14.5		angular	0°	±2°	www.fci.com	cat. no.	-	Product - Customer Drw		sheet 2 of 5		

ProjE File - REV C - 2009-06-09



Copyright FCI.



spec ref		-		dr	Bill Lin	2010/02/02	projection 	mm 	size	A4	scale	1:1
tolerance std	ASME Y14.5	TOLERANCES UNLESS OTHERWISE SPECIFIED		eng	Nickor Zuo	2011/05/26			ecn no	ELX-DG-003943-1		
				chr	Alex Cao	2011/06/24				rel level	Released	
-				appr	Pei-Ming Zheng	2011/06/27	product family		GIG-Array			
surface	3.2	linear	0.X	±0.30		title	GIG-Array		dwg no	10026804		rev
			0.XX	±0.10								
			0.XXX	±0.05								
ASME Y14.5		angular	0°	±2°	www.fci.com	cat. no.	-	Product - Customer Drw		sheet 3 of 5		

PreE File - REV C - 2009-06-09

1

2

3

4

A

B

C

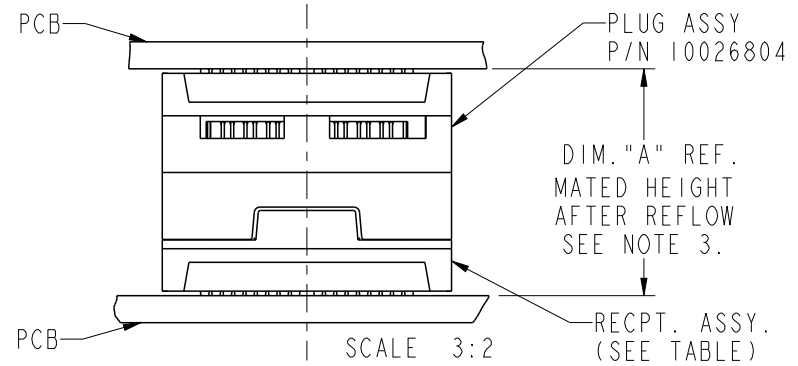
D

A

B

C

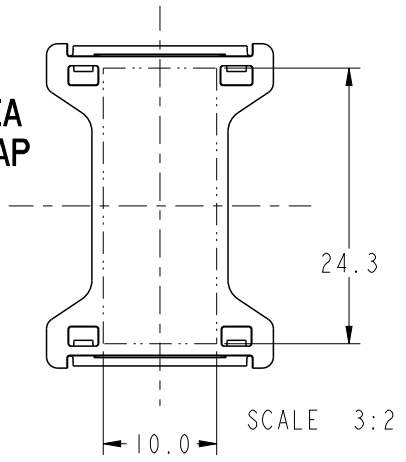
D



**END VIEW OF MATED CONNECTORS**

DIM. "A"	RECPT. ASSY. P/N
17	55701
22	10032376
27	55733

**FLAT AREA  
PICK-UP CAP**



Copyright FCI.

spec ref -		dr <b>Bill Lin</b>	2010/02/02	projection 	mm ←→	size A4	scale 1:1	
tolerance std ASME Y14.5	TOLERANCES UNLESS OTHERWISE SPECIFIED		eng <b>Nickor Zuo</b>			2011/05/26	ecn no ELX-DG-003943-1	rel level <b>Released</b>
			chr <b>Alex Cao</b>			2011/06/24		
		appr <b>Pei-Ming Zheng</b>	2011/06/27	product family GIG-Array				
surface $\sqrt{3.2}$ ASME Y14.5	linear	0.X	$\pm 0.30$	 <b>www.fci.com</b>	title GIG-Array 10mm PLUG ASSY. 296 SIG. POS.	dwg no 10026804	rev <b>E</b>	
		0.XX	$\pm 0.10$					
	0.XXX	$\pm 0.05$						
	angular	0°	$\pm 2^\circ$	cat. no. -	Product - Customer Drw	sheet 4 of 5		

PreE File - REV C - 2009-06-09

2

3

4

PRODUCT NUMBER	SOLDER BALL COMPOSITION	CONTACT PLATING PERFORMANCE LEVEL
10026804-001	STANDARD (EUTECTIC)	PERFORMANCE-BASED PLATING, QUALIFIED TO MEET THE REQUIREMENTS OF FCI PRODUCT SPECIFICATION GS-12-192, INCLUDING TELCORDIA CENTRAL OFFICE
10026804-001LF	LEADFREE	

**NOTES:**

- ① MAT'L:  
HOUSING: LCP  
CONTACT: COPPER ALLOY  
PLATING (CONTACT): Au OVER Ni.  
UL RATING: 94 V-0
- ② SOLDER BALLS WILL NOT BE PERFECT SPHERICAL SHAPE DUE TO REFLOW ATTACHMENT.
- ③ MATED HEIGHT EFFECTED BY CUSTOMERS' PCB PAD SIZE, PLATING, SOLDER REFLOW PROFILE & SOLDER PASTE.
- ④ CONTACTS IN ROWS A,C,E,G,J,K,M,P,R AND T ARE SINGLE BEAM CONTACTS, TYPICALLY USED AS GROUND PINS. (NOTE: CONTACTS IN ROWS J & K ARE TIED TOGETHER [COMMONED])
- ⑤ CONTACTS IN ROWS B,D,F,H,L,N,Q AND S ARE DUAL BEAM CONTACTS, TYPICALLY USED AS SIGNAL PINS.

NOTES CONTINUED

- ⑥ SPECIFIED POSITIONAL TOLERANCE DEFINES PAD TO PAD LOCATION WITHIN LAND PATTERN. POSITIONAL TOLERANCE OF LAND PATTERN TO FUDICIAL MARKS OR PCB DATUMS SHALL BE DEFINED BY CUSTOMER. FOR RECOMMENDED PRODUCT APPLICATION AND PCB DESIGN DETAILS, SEE DOC. NO. GS-20-016.
- ⑦ FOR PROPER APPLICATION FOLLOW FCI APPLICATION SPECIFICATION GS-20-033 LEADFREE SOLDER BALLS WILL NOT SOLDER PROPERLY IN A LEADED SOLDER PROCESS DUE TO A HIGHER REFLOW TEMPERATURE, LEADFREE PRODUCT IS THEREFORE NOT BACKWARDS COMPATIBLE WITH LEADED OR SOME SOLDERING APPLICATIONS. REFERENCE FCI APPLICATION SPECIFICATION.
- ⑧ THIS PRODUCT MEETS THE EUROPEAN UNION DIRECTIVES AND OTHER COUNTRY REGULATIONS AS DESCRIBED IN GS-22-008. PRODUCT MEETING WITH THES DIRECTIVE IS IDENTIFIED IN THE LOT CODE NUMBER MARKED ON EACH PART BY HAVING AN "X" IN THE SEVENTH CHARACTER POSITION.



Copyright FCI.

spec ref	-	dr	Bill Lin	2010/02/02	projection 	mm 	size	A4	scale	1:1
tolerance std	TOLERANCES UNLESS OTHERWISE SPECIFIED	eng	Nickor Zuo	2011/05/26			ecn no	ELX-DG-003943-1		
ASME Y14.5		chr	Alex Cao	2011/06/24				rel level	Released	
surface	linear	appr	Pei-Ming Zheng	2011/06/27	product family	GIG-Array		rev		
ASME Y14.5		angular	www.fci.com		title	GIG-Array 10mm PLUG ASSY. 296 SIG. POS.		dwg no	10026804	E
					cat. no.	-	Product - Customer Drw	sheet	5 of 5	